



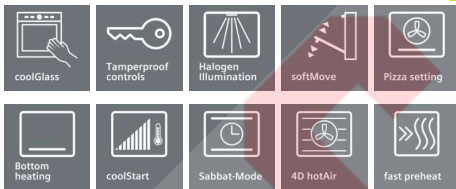
iQ700

Oven

HB633GBS1, Stainless steel



A+



Included accessories

- 1 x combination grid
- 1 x universal pan

Optional accessories

HZG0AS00 : Connecting cable 3m , HZ915003 : Glass roasting dish, 5,4 L , HZ6BCA0 : Cookbook , HZ66X650 : Cover Strip , HZ638300 : 3 level telescopic rails, full ext , HZ638200 : 2 level telescopic shelf rails, full ext , HZ638100 : 1 level telescopic shelf rails, full ext , HZ636000 : Glass pan , HZ634000 : Baking and roasting grid (standard) , HZ633070 : Professional pan, anthracite enamelled , HZ633001 : Lid for professional pan, enamelled anth , HZ632070 : Multipurpose pan, anthracite enamelled , HZ632010 : Universal pan, non-stick coated , HZ631070 : Baking tray, anthracite enamelled , HZ631010 : Baking tray, non-stick coated , HZ625071 : Grill tray, anthracite enamelled , HZ617000 : Pizza pan, anthracite enamelled , HZ327000 : Baking stone , HZ29020 : Conversion cabinet

"The oven offers modern baking and roasting convenience for best results."

- ✓ 4D hotAir: flexible choice of shelf.
- ✓ TFT Display: good readability from any perspective.
- ✓ Energy efficiency class A+: For more efficient roasting and baking.
- ✓ softMove: gentle opening and closing of the oven door.
- ✓ Telescopic rail variants: lots of options for maximum flexibility.

Features

Technical Data

Color / Material Front : Stainless steel
 Built-in / Free-standing : Built-in
 Integrated Cleaning system : No
 Required niche size for installation (HxWxD) : 585-595 x 560-568 x 550
 Dimensions of the product (mm) : 595 x 594 x 548
 Dimensions of the packed product (HxWxD) (mm) : 670 x 680 x 670
 Control Panel Material : Stainless steel
 Door Material : Glass
 Net weight (kg) : 34.272
 Usable volume of cavity (l) : 71
 Cooking method : , 4D hot air, Bottom heat, Conventional heat, Deep-frozen food special, Full width grill, Half width grill, Hot Air-Eco, Hot air grilling, Pizza setting
 First cavity material : Enamelled
 Number of interior lights : 1
 Approval certificates : CE, VDE
 Length electrical supply cord (cm) : 120
 Interior Lights - cavity 1 : 1
 Pull-out system : Accessory
 Clock function : Alarm, Off, On
 Included accessories cavity 1 : 1 x combination grid, 1 x universal pan
 Broil Element Wattages cavity 1 (W) : 2800
 Convection Element Wattages cavity 1 (W) : 2200
 Energy efficiency class (2010/30/EC) : A+
 Energy consumption per cycle conventional (2010/30/EC) : 0.87
 Energy consumption per cycle forced air convection (2010/30/EC) : 0.69
 Energy efficiency index (2010/30/EC) : 81.2
 Electrical connection rating (W) : 3600
 Current (A) : 16
 Voltage (V) : 220-240
 Frequency (Hz) : 60; 50
 Plug type : Gardy plug w/ earthing
 Color / Material Front : Stainless steel
 Energy input : Electric
 Approval certificates : CE, VDE
 Required cutout/niche size for installation (in) : x x
 Dimensions of the packed product (in) : 26.37 x 26.37 x 26.77
 Net weight (lbs) : 76.000
 Gross weight (lbs) : 81
 Length electrical supply cord (cm) : 120
 Net weight (kg) : 34.272
 Gross weight (kg) : 37.0



4 242003 672365



iQ700

Oven

HB633GBS1, Stainless steel

Features

Type of oven / heating system:

- Oven with 10 heating methods: 4D hot air, Hotair eco,, Conventional heat, Conventional heat ECO, hotAir grilling, Full width grill, Half width grill, Pizza setting, coolStart, Bottom heat
- Temperature range 30 °C - 300 °C
- Cavity volume: 71 l

Design:

- Rotary Control
- Cavity inner surface: Enamel anthracite

Cleaning:

- Full glass inner door

Comfort:

- 2,8"-TFT-color and text display with touch-control buttons
- Temperature proposal
- Actual temperature display
- heating-up control
- Sabbath setting
- softMove for gentle opening and closing of the oven door
- electronic clock
- Rapid heating-up
- Halogen interior lighting, Independent oven interior light button
- Integral cooling fan
- Stainless-steel fan
- Info button
- Bar handle

Hook-in racks / rails

- Cavity with shelf support rails, Telescopic slide-out Accessory

Accessory:

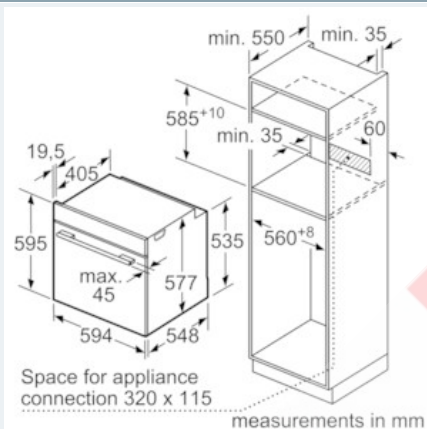
- 1 x combination grid, 1 x universal pan

Environment and Safety:

- Low door temperature
- Child lock
- Automatic safety switch off
- Residual heat indicator
- Start-/Stop button
- Door contact switch

Technical Info:

- Length of mains cable: 120 cm
- Total connected load electric: 3.6 KW
- Appliance dimension (hxwx): 595 mm x 594 mm x 548 mm
- Niche dimension (hxwx): 585 mm - 595 mm x 560 mm - 568 mm x 550 mm
- "Please reference the built-in dimensions provided in the installation drawing"
- Energy efficiency rating (acc. EU Nr. 65/2014): A+ (at a range of energy efficiency classes from A+++ to D)
- Energy consumption per cycle in conventional mode: 0.87 kwh
- Energy consumption per cycle in fan-forced convection mode: 0.69 kwh
- Number of cavities: 1 Heat source: electrical Cavity volume: 71 l

iQ700
Oven
HB633GBS1, Stainless steel
Dimensioned drawings


If the appliance will be installed underneath a hob, the following worktop thicknesses (including substructure if necessary) must be taken into account.

Hob type	min. worktop thickness	
	fitted	flush
Induction hob	37 mm	38 mm
Full surface Induction hob	47 mm	48 mm
Gas hob	30 mm	38 mm
Electric hob	27 mm	30 mm

