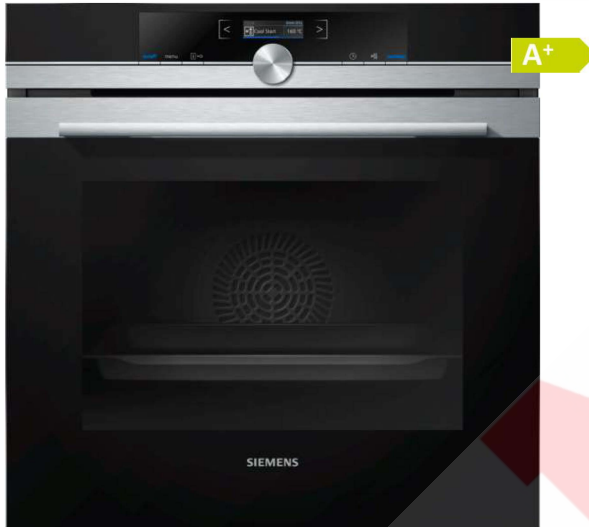




iQ700

Oven

HB634GBS1, Stainless steel



Included accessories

- 1 x enamel baking tray
- 1 x combination grid
- 1 x universal pan

Optional accessories

HZGOAS00 : Connecting cable 3m , HZ915003 : Glass roasting dish, 5,4 L , HZ6BCA0 : Cookbook , HZ66X650 : Cover Strip , HZ638300 : 3 level telescopic rails, full ext , HZ638200 : 2 level telescopic shelf rails, full ext , HZ638100 : 1 level telescopic shelf rails, full ext , HZ636000 : Glass pan , HZ634000 : Baking and roasting grid (standard) , HZ633070 : Professional pan, anthracite enamelled , HZ633001 : Lid for professional pan, enamelled anth , HZ632070 : Multipurpose pan, anthracite enamelled , HZ632010 : Universal pan, non-stick coated , HZ631070 : Baking tray, anthracite enamelled , HZ631010 : Baking tray, non-stick coated , HZ625071 : Grill tray, anthracite enamelled , HZ617000 : Pizza pan, anthracite enamelled , HZ327000 : Baking stone , HZ29020 : Conversion cabinet

"The oven offers modern baking and roasting convenience for best results."

- ✓ 4D hotAir: flexible choice of shelf.
- ✓ TFT Display: good readability from any perspective.
- ✓ ecoClean: effortless cleaning thanks to a special coating of the rear wall that automatically absorbs grime.
- ✓ Energy efficiency class A+: For more efficient roasting and baking.
- ✓ softMove: gentle opening and closing of the oven door.

Features

Technical Data

Color / Material Front : Stainless steel
 Built-in / Free-standing : Built-in
 Integrated Cleaning system : No
 Required niche size for installation (HxWxD) : 585-595 x 560-568 x 550
 Dimensions of the product (mm) : 595 x 594 x 548
 Dimensions of the packed product (HxWxD) (mm) : 675 x 690 x 660
 Control Panel Material : Stainless steel
 Door Material : Glass
 Net weight (kg) : 36.400
 Usable volume of cavity (l) : 71
 Cooking method : , 4D hot air, Bottom heat, Conventional heat, Deep-frozen food special, Full width grill, Half width grill, Hot Air-Eco, Hot air grilling, low temperature cooking, Pizza setting, pre-heating, warming
 First cavity material : Enamelled
 Number of interior lights : 1
 Approval certificates : CE, VDE
 Length electrical supply cord (cm) : 120
 Interior Lights - cavity 1 : 1
 Pull-out system : Accessory
 Clock function : Alarm, Off, On
 Included accessories cavity 1 : 1 x enamel baking tray, 1 x combination grid, 1 x universal pan
 Broil Element Wattages cavity 1 (W) : 2800
 Convection Element Wattages cavity 1 (W) : 2200
 Energy efficiency class (2010/30/EC) : A+
 Energy consumption per cycle conventional (2010/30/EC) : 0.87
 Energy consumption per cycle forced air convection (2010/30/EC) : 0.69
 Energy efficiency index (2010/30/EC) : 81.2
 Electrical connection rating (W) : 3600
 Current (A) : 16
 Voltage (V) : 220-240
 Frequency (Hz) : 60; 50
 Plug type : GARDY plug w/ earthing
 Color / Material Front : Stainless steel
 Energy input : Electric
 Approval certificates : CE, VDE
 Required cutout/niche size for installation (in) : x x
 Dimensions of the packed product (in) : 26.57 x 25.98 x 27.16
 Net weight (lbs) : 80.000
 Gross weight (lbs) : 85
 Length electrical supply cord (cm) : 120
 Net weight (kg) : 36.400
 Gross weight (kg) : 39.0





iQ700

Oven

HB634GBS1, Stainless steel

Features

Type of oven / heating system:

- Oven with 13 heating methods: 4D hot air, Hotair eco,, Conventional heat, Conventional heat ECO, hotAir grilling, Full width grill, Half width grill, Pizza setting, coolStart, Bottom heat, Soft steaming, Plate warming setting, Hold warm setting
- Temperature range 30 °C - 300 °C
- Cavity volume: 71 l

Design:

- Rotary Control
- Cavity inner surface: Enamel anthracite

Cleaning:

- ecoClean: coating of back panel
- Full glass inner door

Comfort:

- 2,8"-TFT-color and text display with touch-control buttons
- Temperature proposal
- Actual temperature display
- heating-up control
- Sabbath setting
- softMove for gentle opening and closing of the oven door
- electronic clock
- Rapid heating-up
- Halogen interior lighting, Independent oven interior light button
- Integral cooling fan
- Stainless-steel fan
- Info button
- Bar handle

Hook-in racks / rails

- Cavity with shelf support rails, Telescopic slide-out Accessory

Accessory:

- 1 x enamel baking tray, 1 x combination grid, 1 x universal pan

Environment and Safety:

- Low door temperature
- Child lock
- Automatic safety switch off
- Residual heat indicator
- Start-/Stop button
- Door contact switch

Technical Info:

- Length of mains cable: 120 cm
- Total connected load electric: 3.6 KW
- Appliance dimension (hxwxh): 595 mm x 594 mm x 548 mm
- Niche dimension (hxwxh): 585 mm - 595 mm x 560 mm - 568 mm x 550 mm
- "Please reference the built-in dimensions provided in the installation drawing"
- Energy efficiency rating (acc. EU Nr. 65/2014): A+ (at a range of energy efficiency classes from A+++ to D)
- Energy consumption per cycle in conventional mode: 0.87 kwh
Energy consumption per cycle in fan-forced convection mode: 0.69 kwh
Number of cavities: 1 Heat source: electrical Cavity volume: 71 l

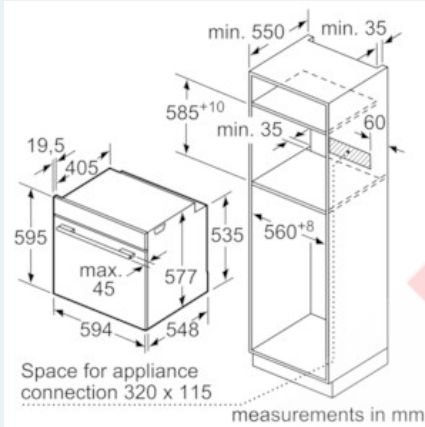


iQ700

Oven

HB634GBS1, Stainless steel

Dimensioned drawings



If the appliance will be installed underneath a hob, the following worktop thicknesses (including substructure if necessary) must be taken into account.

| Hob type | min. worktop thickness | |
|----------------------------|------------------------|-------|
| | fitted | flush |
| Induction hob | 37 mm | 38 mm |
| Full surface Induction hob | 47 mm | 48 mm |
| Gas hob | 30 mm | 38 mm |
| Electric hob | 27 mm | 30 mm |

