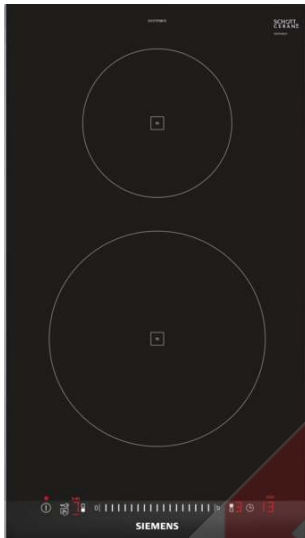
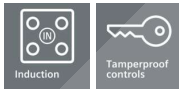




iQ100
EH375FBB1E stainless steel
SE Top Frame
30 cm Induction Domino ceramic



A



Induction cooktop with innovative features that enable highly flexible cooking in any situation.

Features

Technical Data

Product name/family : Vario/Domino cooking zone cera
Built-in / Free-standing : CONSTR_TYPE.Built-in
Energy input : Electric
Total number of positions that can be used at the same time : 2
Required niche size for installation (HxWxD) : 51 x 270 x 490-500
Width of the product (mm) : 302
Dimensions of the product (mm) : 51 x 302 x 520
Dimensions of the packed product (HxWxD) (mm) : 110 x 370 x 573
Net weight (kg) : 6.928
Gross weight (kg) : 8.0
Residual heat indicator : Separate
Location of control panel : Hob front
Basic surface material : Ceramic
Color of surface : Alu, brushed, Black
Color of frame : Alu, brushed
Approval certificates : AENOR, CE
Length electrical supply cord (cm) : 110
Electrical connection rating (W) : 3700
Voltage (V) : 220-240
Frequency (Hz) : 60; 50



Optional accessories

HZ390090 Wok Set consisting of 3 Items
HZ390042 set of 3 pots and 1 pan



iQ100

EH375FBB1E stainless steel

SE Top Frame

30 cm Induction Domino ceramic

Features

Design:

- SE Top Frame
- Glass ceramic without decor
- Ring zone
- New design (of printing)

Comfort:

- 2 induction cooking zones
- Cable included
- Connected load: 3.7 kW
- Fixed power cable
- Switch off timer for every cooking zone
- Timer
- Count-up timer
- Energy efficiency display
- reStart Function
- quickStart Function

Power and size:

- Cooking Zones: 1 x Ø 145 mm, 1.4 KW (max. Power levels 2.2 KW) Induction; 1 x Ø 210 mm, 2.2 KW (max. Power levels 3.7 KW) Induction

Environment+safety:

- Automatic pan recognition sensor
- powerManagement Function
- Safety switch-off
- Childproof lock
- Wipe protection function
- Digital 2-step Residual heat indicator
- Main switch

Professional equipment:

Quickness:

- Boost function for all zones

Measurements:

- Installation measurements: 270 mmx490 mm
- Connection cable (1.1 M)
- Length wire connection: 110 cm
- Min. worktop thickness: 30 mm

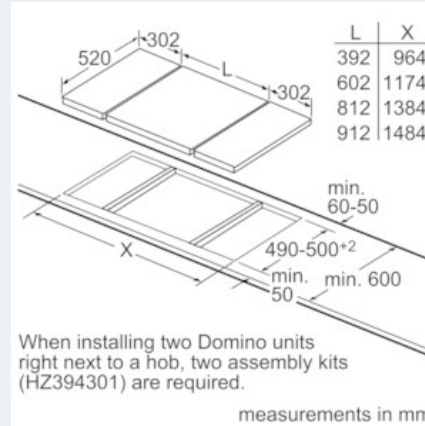
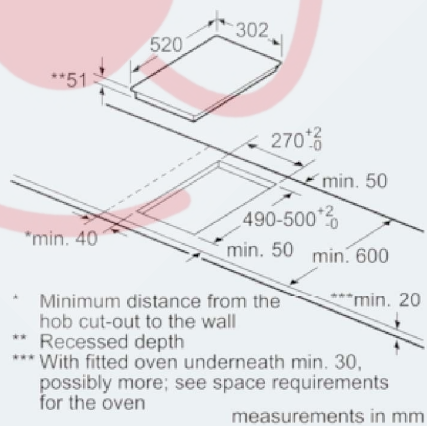
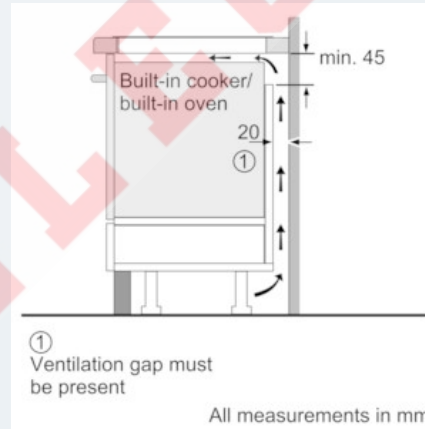
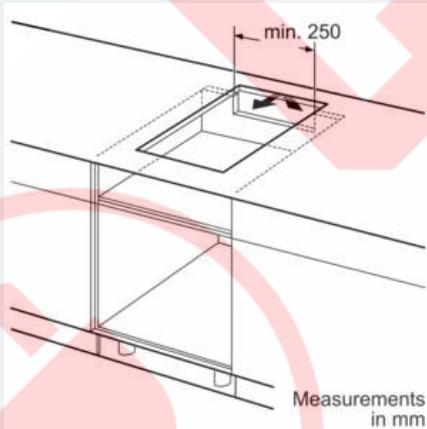
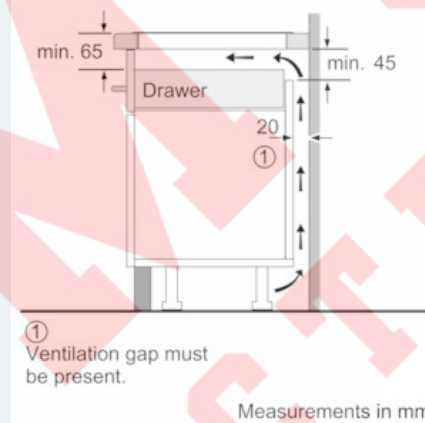
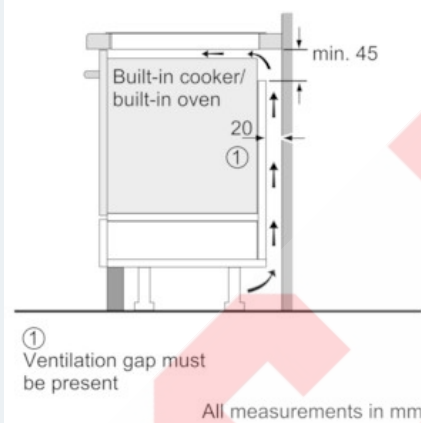
Accessories

- Can be combined with all hobs in comfort design
- Installation set to install 2 Dominos side by side



iQ100 EH375FBB1E stainless steel SE Top Frame 30 cm Induction Domino ceramic

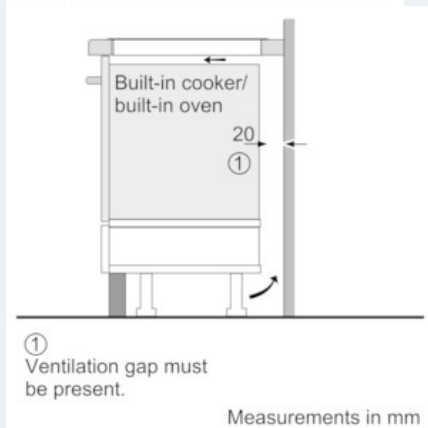
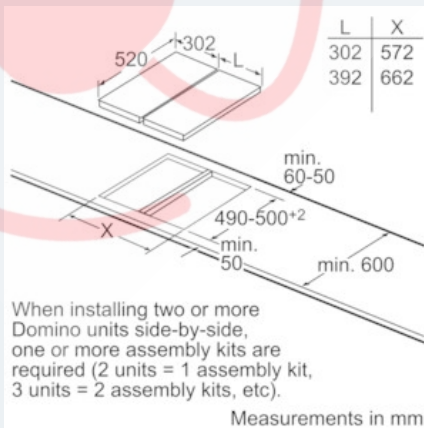
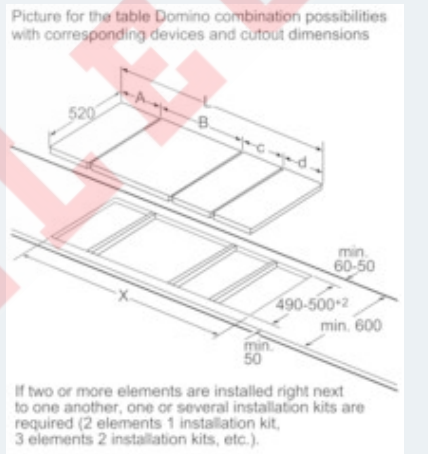
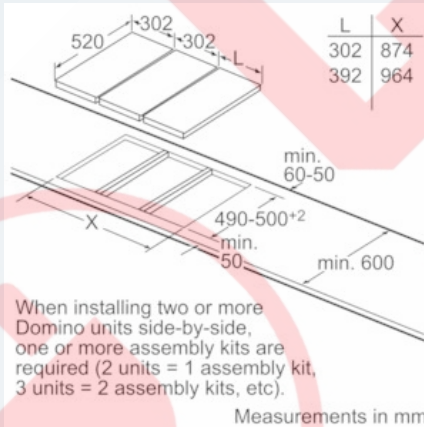
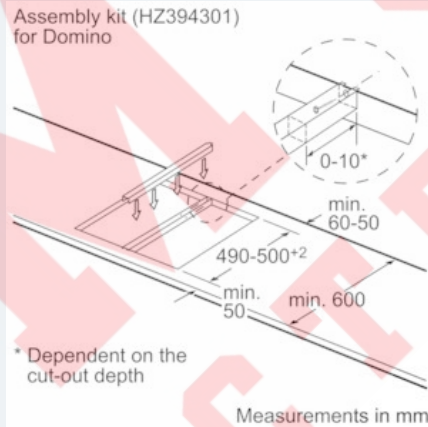
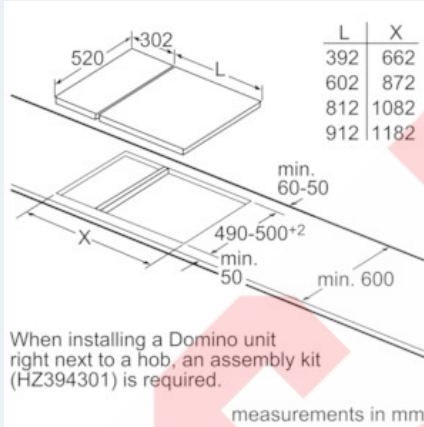
Dimensioned drawings





iQ100 EH375FBB1E stainless steel SE Top Frame 30 cm Induction Domino ceramic

Dimensioned drawings





iQ100
EH375FBB1E stainless steel
SE Top Frame
30 cm Induction Domino ceramic

Dimensioned drawings

Domino combination options with
corresponding appliance and cut-out dimensions

Width type:	30	40	60	70	80	90
Appliance width:	302	392	602	710	812	912
	A	B	C	D	L	X
2x30	302	302	-	-	604	572
1x30, 1x40	302	392	-	-	694	662
1x30, 1x60	302	602	-	-	904	872
1x30, 1x70*	302	710	-	-	1012	980
1x30, 1x80	302	812	-	-	1114	1082
1x30, 1x90	302	912	-	-	1214	1182
2x40	392	392	-	-	784	752
1x40, 1x60	392	602	-	-	994	962
1x40, 1x70*	392	710	-	-	1102	1070
1x40, 1x80	392	812	-	-	1204	1172
1x40, 1x90	392	912	-	-	1304	1272
3x30	302	302	302	-	906	874
2x30, 1x40	302	302	392	-	996	964
2x30, 1x60	302	302	602	-	1206	1174
2x30, 1x70*	302	302	710	-	1314	1282
2x30, 1x80	302	302	812	-	1416	1384
2x30, 1x90	302	302	912	-	1516	1484
1x30, 2x40	302	392	392	-	1096	1054
1x30, 1x40, 1x60	302	392	602	-	1296	1264
1x30, 1x40, 1x70*	302	392	710	-	1404	1372
1x30, 1x40, 1x80	302	392	812	-	1506	1474
1x30, 1x40, 1x90	302	392	912	-	1606	1574
3x40	392	392	392	-	1176	1144
2x40, 1x60	392	392	602	-	1386	1354
4x30	302	302	302	302	1208	1176
3x30, 1x40	302	302	302	392	1298	1266
2x30, 2x40	302	302	392	392	1388	1356
1x30, 3x40	302	392	392	392	1478	1446

* Not possible with 70 cm induction hob