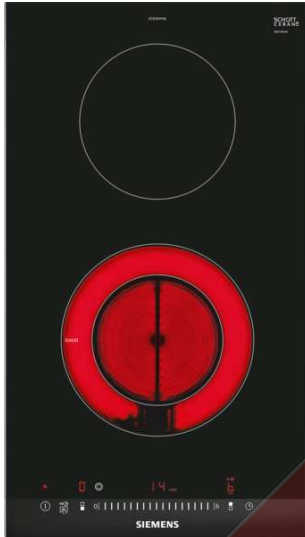




iQ300

ET375FFP1E

30 cm, Domino ceramic



#### Optional accessories

- HZ394301 Connecting strip
- HZ390090 Wok Set consisting of 3 Items

The modern Domino glass ceramic cooktop for more cooking pleasure and less cleaning effort.

- ✓ The 30 cm wide cooktop is ideal for combining with other Domino or faceted design cooktops.
- ✓ touchSlider control allows to control the temperature by entering it directly or by moving the slider with a single finger.
- ✓ The timer with switch-off function safely shuts off the cooking zone when the selected cooking time expires.

#### Features

##### Technical Data

Product name/family : Vario/Domino cooking zone cera  
Built-in / Free-standing : CONSTR\_TYPE.Built-in  
Energy input : Electric  
Total number of positions that can be used at the same time : 2  
Required niche size for installation (HxWxD) : 38 x x  
Width of the product (mm) : 302  
Dimensions of the product (mm) : 38 x 302 x 520  
Dimensions of the packed product (HxWxD) (mm) : 120 x 375 x 380  
Net weight (kg) : 4.797  
Gross weight (kg) : 6.0  
Residual heat indicator : Separate  
Location of control panel : Hob front  
Basic surface material : Ceramic  
Color of surface : Alu, brushed, Black  
Color of frame : Alu, brushed  
Approval certificates : AENOR, CE  
Length electrical supply cord (cm) : 100  
Electrical connection rating (W) : 3500  
Current (A) : 16  
Voltage (V) : 220-240  
Frequency (Hz) : 60; 50





**iQ300**  
**ET375FFP1E**  
**30 cm, Domino ceramic**

Features

**Design:**

- SE Top Frame
- Can be combined with all autarkic hobs in comfort design

**Comfort:**

- 2 HighSpeed cooking zones, including:
  - 1 dual zone
- touchSlider
- 17 power levels
- 7-segment display
- Switch off timer for every cooking zone
- Timer
- Count-up timer
- Wipe protection function
- reStart Function

**Environment+safety:**

- Main switch
- Power on indicator light
- Digital 2-step Residual heat indicator for each zone
- Childproof lock
- Safety switch-off
- Energy consumption display

**Quickness:**

- PowerBoost function

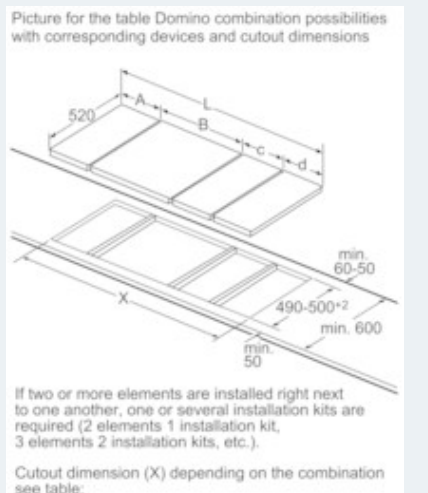
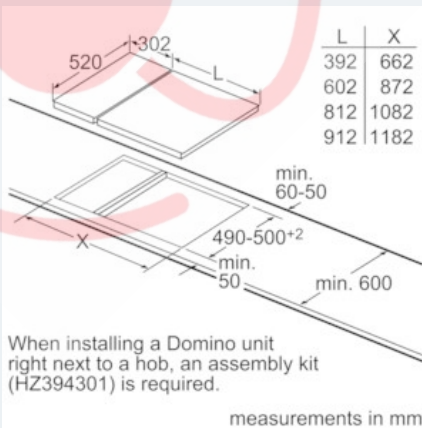
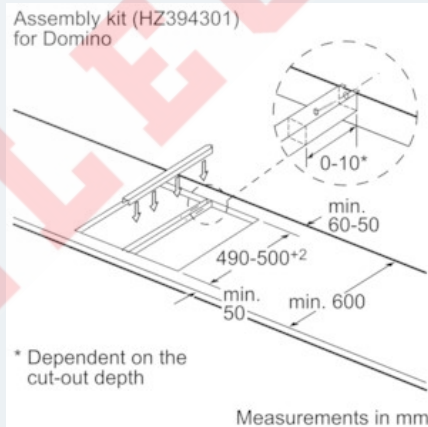
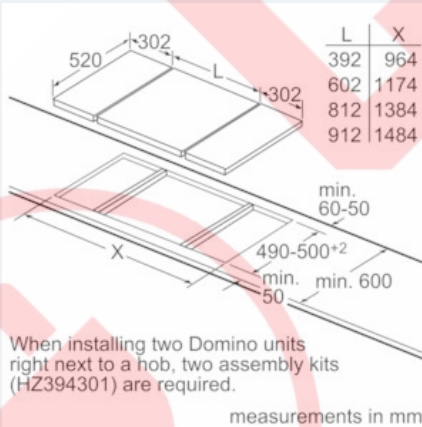
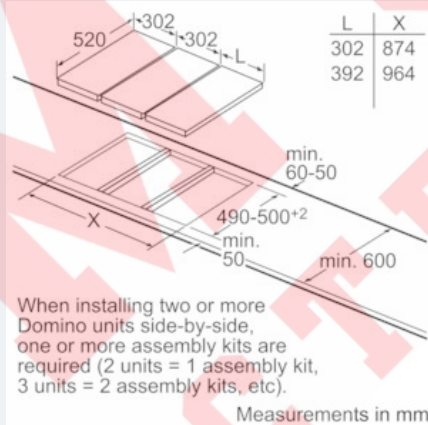
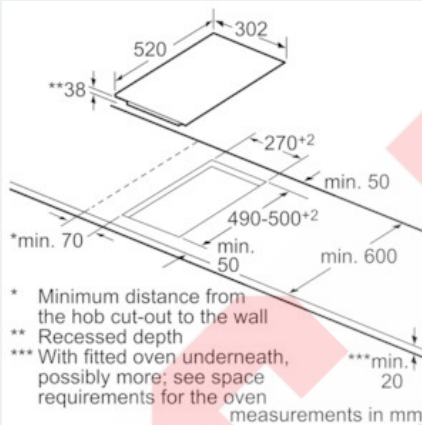
**Measurements:**

- Min. worktop thickness: 20 mm



### iQ300 ET375FFP1E 30 cm, Domino ceramic

#### Dimensioned drawings





iQ300  
ET375FFP1E  
30 cm, Domino ceramic

### Dimensioned drawings

Domino combination options with  
corresponding appliance and cut-out dimensions

Width type:	30	40	60	70	80	90
Appliance width:	302	392	602	710	812	912
	A	B	C	D	L	X
2x30	302	302	-	-	604	572
1x30, 1x40	302	392	-	-	694	662
1x30, 1x60	302	602	-	-	904	872
1x30, 1x70*	302	710	-	-	1012	980
1x30, 1x80	302	812	-	-	1114	1082
1x30, 1x90	302	912	-	-	1214	1182
2x40	392	392	-	-	784	752
1x40, 1x60	392	602	-	-	994	962
1x40, 1x70*	392	710	-	-	1102	1070
1x40, 1x80	392	812	-	-	1204	1172
1x40, 1x90	392	912	-	-	1304	1272
3x30	302	302	302	-	906	874
2x30, 1x40	302	302	392	-	996	964
2x30, 1x60	302	302	602	-	1206	1174
2x30, 1x70*	302	302	710	-	1314	1282
2x30, 1x80	302	302	812	-	1416	1384
2x30, 1x90	302	302	912	-	1516	1484
1x30, 2x40	302	392	392	-	1086	1054
1x30, 1x40, 1x60	302	392	602	-	1296	1264
1x30, 1x40, 1x70*	302	392	710	-	1404	1372
1x30, 1x40, 1x80	302	392	812	-	1506	1474
1x30, 1x40, 1x90	302	392	912	-	1606	1574
3x40	392	392	392	-	1176	1144
2x40, 1x60	392	392	602	-	1386	1354
4x30	302	302	302	302	1208	1176
3x30, 1x40	302	302	302	392	1298	1266
2x30, 2x40	302	302	392	392	1388	1356
1x30, 3x40	302	392	392	392	1478	1446

\* Not possible with 70 cm induction hob