



Serie | 4

**DWQ66DM50**  
**DWQ66DM50 Brushed steel**  
**Chimney hood, 60 cm**  
**Pyramidal design**

A



**Optional accessories**

DHZ1225 Chimney extension 1000 mm, DHZ1235 Chimney extension 1500 mm, DHZ6550 Brushed steel back panel, DHZ6551 Brushed steel back panel, DSZ5201 CleanAir active carbon filter spare part, DSZ6200 CleanAir Recirculation Kit, DWZ0DX0A0 Active carbon filter, DWZ0DX0U0 Recirculating kit, DWZ0XX0I0 Integrated CleanAir Recirculation Kit, DWZ0XX0J0 Integrated CleanAir Recirculation Kit, DZZ0XX0P0 CleanAir act. carbon filter regenerative, HEZG9AS00S Adapter

**Slim Pyramid hood: performance and matching design in your kitchen.**

- **TouchSelect control:** quick touch-control selection of desired settings and light.
- **Extraction rate:** at 610 m<sup>3</sup>/h, it quickly ensures optimal kitchen air quality.
- **silent:** maximal extractor performance with little noise

**Technical Data**

Color chimney :	Stainless steel
Typology :	Chimney
Approval certificates :	CE, Ukraine, VDE
Length electrical supply cord (cm) :	130
Height of the chimney (mm) :	582-912/582-1022
Height of product, without chimney (mm) :	94
Net weight (kg) :	10.588
Type of control :	Electronic
Maximum output air extraction (m <sup>3</sup> /h) :	400
Boost position output recirculating (m <sup>3</sup> /h) :	360
Maximum output recirculating air (m <sup>3</sup> /h) :	300
Boost position air extraction (m <sup>3</sup> /h) :	610
Number of lights :	2
Noise level (dB) :	62
Diameter of air outlet (mm) :	150 / 120
Grease filter material :	Washable aluminium
Odour filter :	No
Operating Mode :	Convertible
Optional accessories :	DHZ1225, DHZ1235, DHZ6550, DHZ6551, DSZ5201, DSZ6200, DWZ0DX0A0, DWZ0DX0U0, DWZ0XX0I0, DWZ0XX0J0, DZZ0XX0P0, HEZG9AS00S
Type of lamps used :	LED
Grease filter type :	Kassette
Connection Rating (W) :	220
Current (A) :	10
Voltage (V) :	220-240
Frequency (Hz) :	50; 60
Plug type :	Gardy plug w/ earthing
Installation typology :	Wall-mounted
Material body :	Stainless steel
Approval certificates :	CE, Ukraine, VDE
Plug type :	Gardy plug w/ earthing
Dimensions of the product, with chimney (if exists) (in) :	/ x x
Dimensions of the packed product (in) :	19.29 x 25.59 x 28.74
Net weight (lbs) :	23
Gross weight (lbs) :	35
Motor location :	Integrated motor in hood chimney
No-return airflow flap :	Yes
Length electrical supply cord (cm) :	130
Dimensions of the product, with chimney (if exists) (mm) :	676-1116 MM x 600 x 800
Dimensions of the packed product (HxWxD) (mm) :	490 x 650 x 730
Net weight (kg) :	10.588
Gross weight (kg) :	16.0





## Serie | 4 Hoods

### DWQ66DM50

#### DWQ66DM50 Brushed steel

#### Chimney hood, 60 cm

#### Pyramidal design

### Slim Pyramid hood: performance and matching design in your kitchen.

- Energy Efficiency Class: A (at a range of energy efficiency classes from A++ to E)
- Average Energy Consumption: 38.3 kWh/year
- Blower Efficiency Class: A\*
- Lighting Efficiency Class: A
- Grease Filtering Efficiency Class: C
- Noise min./max. Normal Level: 50/62 dB

#### Variant:

#### Design:

#### Operating and power:

#### Operating mode / operation

#### Power:

#### Environment and safety:

#### Comfort:

#### Measures:

#### Technical information:

- Chimney hood
- Appliance colour: Brushed steel
- 60 cm Chimney hood
- 60 cm wide
- Suitable for ducted or re-circulated extraction
- For recirculated extraction recirculating kit or CleanAir recirculating kit (accessory) needed
- Wall mounted hood
- TouchControl for extractor speeds and light
- Electronic controls
- Electronic control via touch control
- TouchControl with Electronic display
- 3 speeds plus intensive setting via TouchControl
- Electronic controls via TouchControl with Electronic display
- TouchControl (3 speeds plus intensive setting) with Electronic display
- 3 speeds plus intensive setting
- Automatic revert setting, 6 minutes
- Twin channel high performance fan motor
- Energy efficient capacitor motor
- 2 x 1,5W LED
- Light Intensity: 250 lux
- Colour Temperature: 3500 K
- Metal grease filter, dishwasher safe
- Extraction rate according to EN 61591  $\varnothing$  15 cm:  
max. Normal use 400 m<sup>3</sup>/h  
Intensive 610 m<sup>3</sup>/h
- Extraction rate exhaust air according to EN 61591 max. 400 m<sup>3</sup>/h
- Maximum extraction rate exhaust air 400 m<sup>3</sup>/h according to EN 61591
- Extraction rate exhaust air according to EN 61591:  
max. normal use 400 m<sup>3</sup>/h, intensive 610 m<sup>3</sup>/h
- Noise level according to EN 60704-3 und EN 60704-2-13 at max. normal use exhaust air: 62 dB(A) re 1 pW (50 dB(A) re 20  $\mu$ Pa sound pressure)
- Noise level according to EN 60704-3 und EN 60704-2-13 exhaust air:  
Max. normal use: 62 dB(A) re 1 pW sound pressure: 50 dB(A)  
Intensive: 70 dB(A) re 1 pW (58 dB(A) re 20  $\mu$ Pa sound pressure)
- Diameter pipe  $\varnothing$  150 mm ( $\varnothing$  120 mm enclosed)
- with one-way flap
- Max. extraction rate: 610 m<sup>3</sup>/h
- Extraction rate in recirculation mode:  
Max. normal use: 300 m<sup>3</sup>/h  
Intensive: 360 m<sup>3</sup>/h
- Noise levels in recirculation mode:  
Max. normal use: 72 dB(A) re 1 pW (60 dB(A) re 20  $\mu$ Pa sound pressure)  
Intensive: 75 dB(A) re 1 pW (63 dB(A) re 20  $\mu$ Pa sound pressure)
- Dimensions exhaust air (HxWxD): 676-1006 x 600 x 500 mm
- Dimensions recirculating (HxWxD): 676-1116 x 600 x 500 mm<sub>2/4</sub>
- Dimensions recirculating with CleanAir module (HxWxD):  
744 x 600 x 500 mm - mounting with outer chimney  
874-1204 x 600 x 500 mm - mounting with telescopic chimney





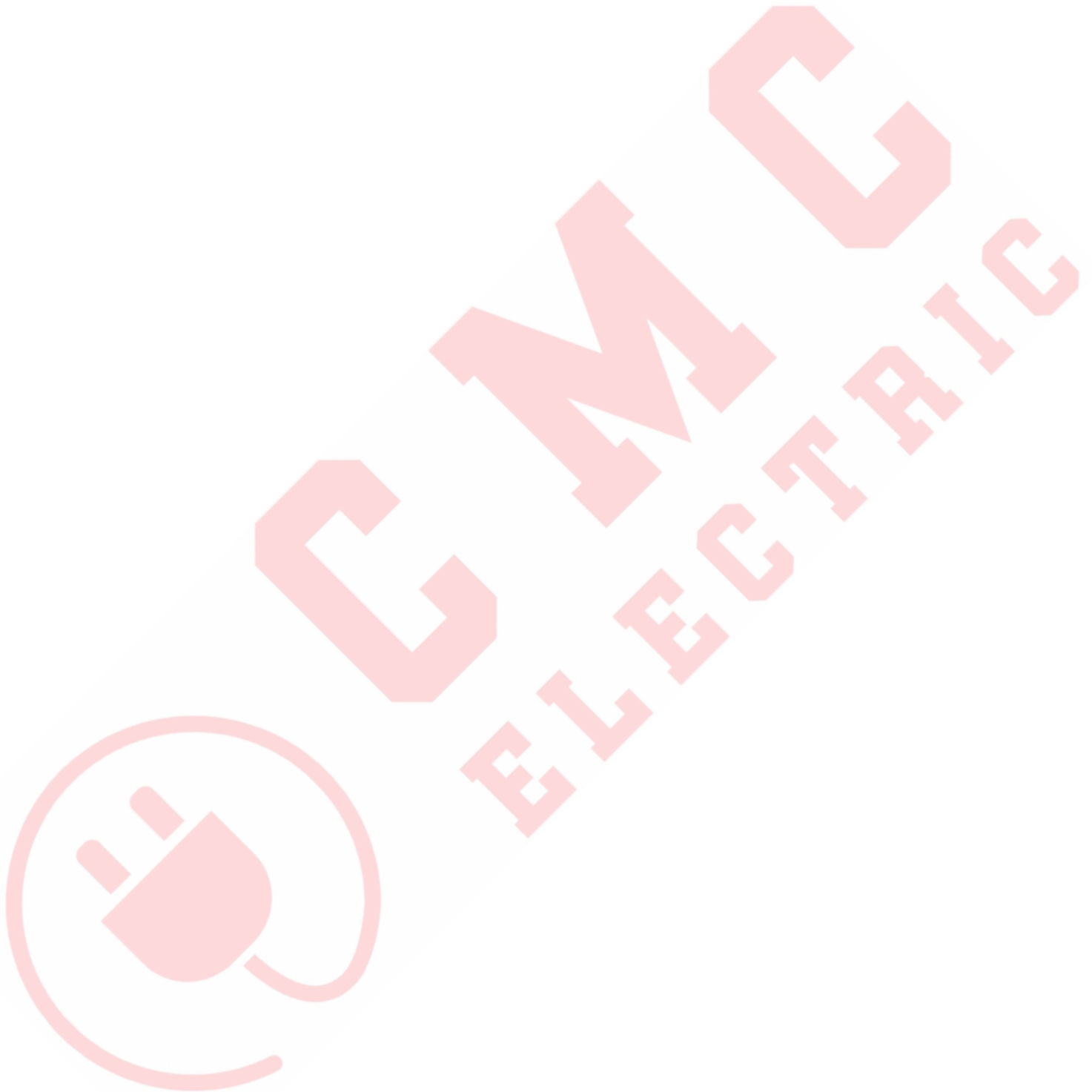
**CMC**  
**ELECTRIC**



**BOSCH**

**Serie | 4 Hoods**

*\* In accordance with the EU-Regulation No 65/2014*





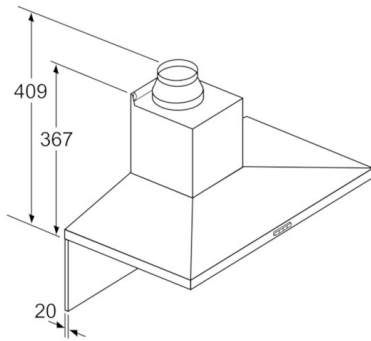
## Serie | 4 Hoods

**DWQ66DM50**

**DWQ66DM50 Brushed steel**

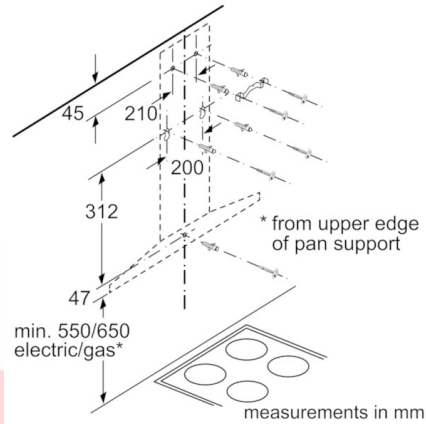
**Chimney hood, 60 cm**

**Pyramidal design**

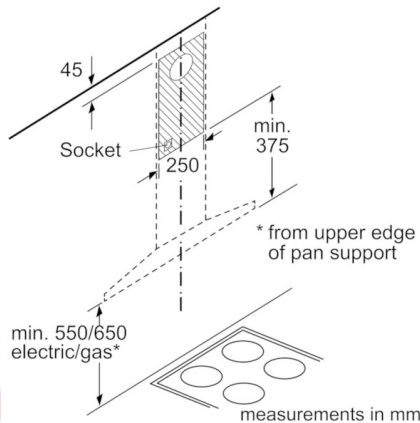


If a back panel is used, the design of the appliance must be considered.

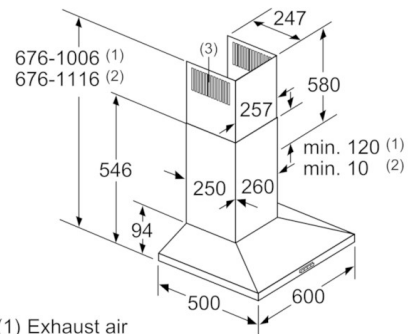
measurements in mm



measurements in mm



measurements in mm



- (1) Exhaust air
- (2) Circulated air
- (3) Air outlet – slots for exhaust air to be mounted facing down

measurements in mm