



iQ300

LC67BHM50

LC67BHM50 stainless steel

Chimney hood, 60 cm

Box design



B

Extractor hood in Box design with high extraction rate.

- ✓ The powerful motor with an high extraction rate of 720 m³/h for fresh air in your kitchen.
- ✓ The energy-saving LED lighting ensures optimal visibility when cooking.
- ✓ At 64 dB the hood is pleasantly quiet when being used.
- ✓ The intensive setting temporarily increases the extraction rate when kitchen vapour is especially intense, with automatic revert after 6 min.
- ✓ Thanks to touchControl the power level and the LED light can be selected directly.

Features

Technical Data

Color chimney : Stainless steel
Typology : Chimney
Approval certificates : CE, Eurasian, VDE
Length electrical supply cord (cm) : 130
Height of the chimney (mm) : 583-912/583-1022
Height of product, without chimney (mm) : 53
Net weight (kg) : 11.635
Type of control : Electronic
Maximum output air extraction (m³/h) : 450
Boost position output recirculating (m³/h) : 370
Maximum output recirculating air (m³/h) : 310
Boost position air extraction (m³/h) : 720
Number of lights : 2
Noise level (dB) : 64
Diameter of air outlet (mm) : 120 / 150
Grease filter material : Washable stainless steel
Odour filter : No
Operating Mode : Convertible
Optional accessories : HZG9AS00S, LZ00XXP00, LZ10DXA00, LZ10DXU00, LZ10FXI00, LZ10FXJ00, LZ12250, LZ12350, LZ50660, LZ50661, LZ56200, LZ57000
Type of lamps used : LED
Grease filter type : Kassette
Connection Rating (W) : 255
Current (A) : 10
Voltage (V) : 220-240
Frequency (Hz) : 60; 50
Plug type : Gardy plug w/ earthing
Installation typology : Wall-mounted
Material body : Stainless steel
Approval certificates : CE, Eurasian, VDE
Plug type : Gardy plug w/ earthing
Dimensions of the product, with chimney (if exists) (in) : l x x
Dimensions of the packed product (in) : 19.29 x 25.59 x 28.74
Net weight (lbs) : 26
Gross weight (lbs) : 37
Motor location : Integrated motor in hood chimney
No-return airflow flap : Yes
Length electrical supply cord (cm) : 130
Dimensions of the product, with chimney (if exists) (mm) : 635-1075 MM x 600 x 500
Dimensions of the packed product (HxWxD) (mm) : 490 x 650 x 730
Net weight (kg) : 11.635
Gross weight (kg) : 17.0

Optional accessories

LZ57000 : cleanAir Recirculation Kit , LZ56200 : CleanAir active carbon filter spare part , LZ50661 : Backboard 60 x 72 cm , LZ50660 : Backboard 60 x 65 cm , LZ12350 : Chimney extension 1500 mm , LZ12250 : Chimney extension 1000 mm , LZ10FXJ00 : Integrated CleanAir Recirculation Kit , LZ10FXI00 : Integrated CleanAir Recirculation Kit , LZ10DXU00 : Recirculating kit , LZ10DXA00 : Active carbon filter , LZ00XXP00 : CleanAir act.carbon filter regenerative , HZG9AS00S : Adapter





iQ300

LC67BHM50

LC67BHM50 stainless steel

Chimney hood, 60 cm

Box design

- Energy Efficiency Class: B (at a range of energy efficiency classes from A++ to E)
- Average Energy Consumption: 58.1 kWh/year
- Blower Efficiency Class: A*
- Lighting Efficiency Class: A
- Grease Filtering Efficiency Class: B
- Noise min./max. Normal Level: 52/64 dB

Variant:

Design:

Operating and power:

Operating mode / operation

Power:

Environment and safety:

Comfort:

Measures:

Technical information:

- Chimney hood
- Appliance colour: stainless steel
- 60 cm Chimney hood
- 60 cm wide
- Suitable for ducted or re-circulated extraction
- For recirculated extraction recirculating kit or CleanAir recirculating kit (accessory) needed
- Wall mounted hood
- touchControl for extractor speeds and light
- Electronic controls
- Electronic control via touch control
- touchControl with Electronic display
- 3 speeds plus intensive setting via touchControl
- Electronic controls via touchControl with Electronic display
- touchControl (3 speeds plus intensive setting) with Electronic display
- 3 speeds plus intensive setting
- Automatic revert setting, 6 minutes
- Twin channel high performance fan motor
- Energy efficient capacitor motor
- 2 x 1,5W LED
- Light Intensity: 250 lux
- Colour Temperature: 3500 K
- Stainless steel filter covers, dishwasher safe
- Metal grease filter, dishwasher safe
- Extraction rate according to EN 61591 \varnothing 15 cm:
- max. Normal use 450 m³/h
- Intensive 720 m³/h
- Extraction rate exhaust air according to EN 61591 max. 450 m³/h
- Maximum extraction rate exhaust air 450 m³/h according to EN 61591
- Extraction rate exhaust air according to EN 61591:
- max. normal use 450 m³/h, intensive 720 m³/h
- Noise level according to EN 60704-3 und EN 60704-2-13 at max. normal use exhaust air: 64 dB(A) re 1 pW (52 dB(A) re 20 μ Pa sound pressure)

- Noise level according to EN 60704-3 und EN 60704-2-13 exhaust air:

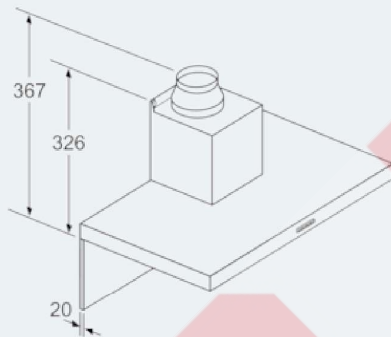
- Max. normal use: 64 dB(A) re 1 pW sound pressure: 52 dB(A)
- Intensive: 73 dB(A) re 1 pW (61 dB(A) re 20 μ Pa sound pressure)
- Diameter pipe \varnothing 150 mm (\varnothing 120 mm enclosed)
- with one-way flap
- Max. extraction rate: 720 m³/h
- Extraction rate in recirculation mode:
- Max. normal use: 310 m³/h
- Intensive: 370 m³/h
- Noise levels in recirculation mode:
- Max. normal use: 73 dB(A) re 1 pW (61 dB(A) re 20 μ Pa sound pressure)
- Intensive: 76 dB(A) re 1 pW (64 dB(A) re 20 μ Pa sound pressure)
- Dimensions exhaust air (HxWxD): 635-965 x 600 x 500 mm
- Dimensions recirculating (HxWxD): 635-1075 x 600 x 500 mm
- Dimensions recirculating with CleanAir module (HxWxD):
- 703 x 600 x 500 mm - mounting with outer chimney
- 833-1163 x 600 x 500 mm - mounting with telescopic chimney
- Dimensions recirculating with cleanAir module (HxWxD):
- 703 x 600 x 500 mm - mounting with outer chimney
- 833-1163 x 600 x 500 mm - mounting with telescopic chimney
- Dimensions recirculating with CleanAir module (HxWxD):
- 703 x 600 x 500 mm - mounting with outer chimney
- 833-1163 x 600 x 500 mm - mounting with telescopic chimney
- Power rating: 255 W
- Electrical cable length 1.3 m

* In accordance with the EU-Regulation No 65/2014



iQ300
LC67BHM50
LC67BHM50 stainless steel
Chimney hood, 60 cm
Box design

Dimensioned drawings



If a back panel is used, the design of the appliance must be considered.

measurements in mm

