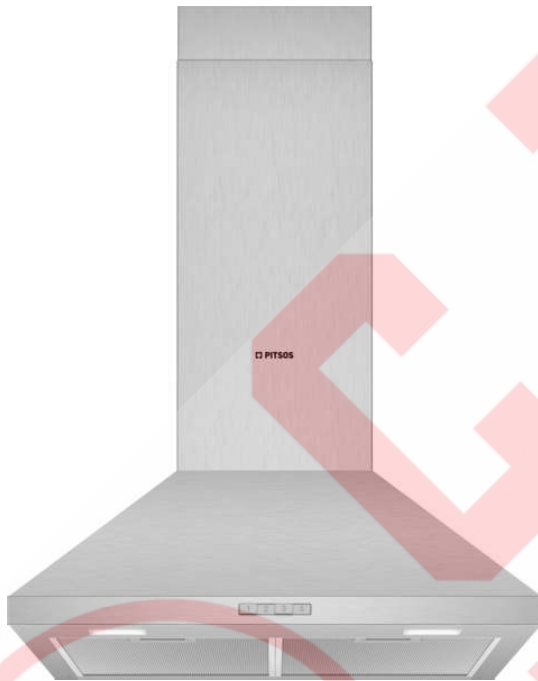




CMC
ELECTRIC

PITSOS



PTP6D65G

- Energy Efficiency Class: A (at a range of energy efficiency classes from A++ to E)
- Average Energy Consumption: 39.9 kWh/year
- Blower Efficiency Class: A*
- Lighting Efficiency Class: A
- Grease Filtering Efficiency Class: C
- Noise min./max. Normal Level: 49/69 dB

Variant:

Design:

Operating and power:

Operating mode / operation

Power:

Environment and safety:

Comfort:

Measures:

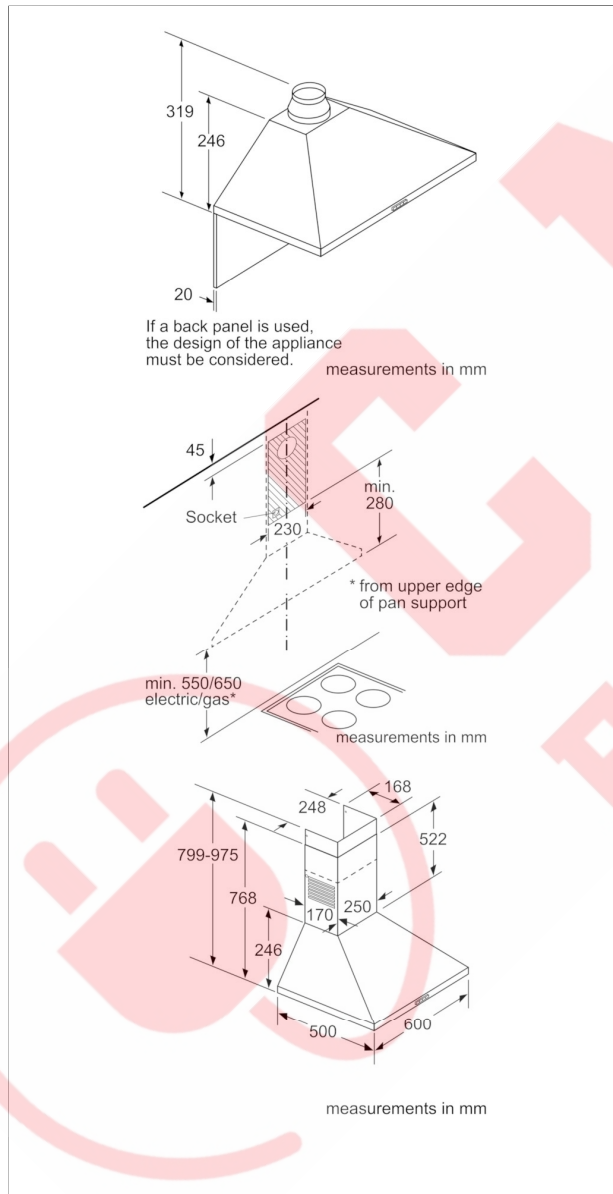
Technical information:

- Wall-mounted chimney hood
- Appliance colour: Brushed steel
- 60 cm Wall-mounted chimney hood
- 60 cm wide
- Suitable for ducted or re-circulated extraction
- For recirculated extraction recirculating kit (accessory) needed
- Wall mounted hood
- push buttons for extractor speeds and light
- 3 power levels via push buttons
- 3 power levels
- Twin channel high performance fan motor
- Energy efficient capacitor motor
- 2 x 1,5W LED
- Light Intensity: 104 lux
- Colour Temperature: 3500 K
- Metal grease filter, dishwasher safe
- Extraction rate exhaust air according to EN 61591 max. 570 m³/h
- Maximum extraction rate exhaust air 570 m³/h according to EN 61591
- Noise level according to EN 60704-3 und EN 60704-2-13 at max. normal use exhaust air: 69 dB(A) re 1 pW (57 dB(A) re 20 µPa sound pressure)
- Diameter pipe Ø 150 mm (Ø 120 mm enclosed)
- Max. extraction rate: 570 m³/h
- Extraction rate in recirculation mode:
Max. normal use: 400 m³/h
- Noise level in recirculation mode:
Max. normal use: 75 dB(A) re 1 pW (63 dB(A) re 20 µPa sound pressure)
- Dimensions exhaust air (HxWxD): 799-975 x 600 x 500 mm



CMC
ELECTRIC

PITSOS



Characteristics

Color chimney: Stainless steel

Typology: Chimney

Approval certificates: CE, VDE

Length electrical supply cord (cm): 130

Height of the chimney (mm): 553-730/573-730

Height of product, without chimney (mm): 246

Net weight (kg): 8.199

Type of control: mechanical

Number of speed settings: 3

Maximum output air extraction (m3/h): 570

Maximum output recirculating air (m3/h): 400

Number of lights: 2

Noise level (dB): 69

Diameter of air outlet (mm): 120 / 150

Grease filter material: Washable aluminium

Odour filter: No

Operating Mode: Convertible

Optional accessories: DHZ1224, DHZ1234, DHZ5275, DHZ5276

Type of lamps used: LED

Grease filter type: Kasette

Consumption and connection features

Connection Rating (W): 220

Current (A): 10

Voltage (V): 220-240

Frequency (Hz): 50; 60

Plug type: Gardy plug w/ earthing

Installation typology: Wall-mounted

Universal Product Code:

Material body: Stainless steel

Approval certificates: CE, VDE

Length of electrical supply cord (in):

Plug type: Gardy plug w/ earthing

Dimensions of the product, with chimney (if exists) (in): / x x

Dimensions of the packed product (in): 13.77 x 25.59 x 28.74

Height of the chimney (in):

Vertical rise height:

Required distance above cooktop/ranges:

Net weight (lbs): 18

Gross weight (lbs): 27

Motor location: Integrated motor in hood body

Maximum output recirculating air (CFM):

Diameter of air duct (in) top:

Diameter of air duct (in) back:

Discharge direction:

No-return airflow flap: No

Length electrical supply cord (cm): 130

Dimensions of the product, with chimney (if exists) (mm): 799-975 x 600 x 500

Dimensions of the packed product (HxWxD) (mm): 350 x 650 x 730