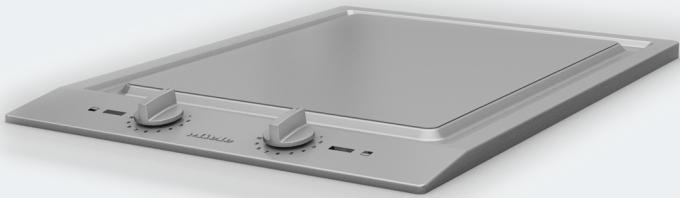


Operating and installation instructions

Stainless steel Tepan Yaki



To avoid the risk of accidents or damage to the appliance it is **essential** to read these instructions before it is installed and used for the first time.

Contents

Warning and Safety instructions	3
Caring for the environment	11
Guide to the appliance	12
Tepan Yaki	12
Indicators.....	12
Using for the first time	13
Cleaning the CombiSet for the first time	13
Switching on the CombiSet for the first time	13
Settings	14
Operation	15
Operating controls.....	15
Switching on.....	15
Switching off.....	15
Residual heat indicator.....	15
Tips.....	16
Cleaning and care	17
Frying surface	18
Stainless steel frame/control panel	18
Operating controls.....	18
Problem solving guide	19
Optional accessories	20
Safety instructions for installation	21
Safety distances	22
Installation notes	25
Building-in dimensions	26
Building-in several CombiSets	27
Installation	29
Electrical connection	33
After sales service, data plate, guarantee	35
Product data sheets	36

Warning and Safety instructions

This appliance complies with all relevant safety requirements. Inappropriate use can, however, lead to personal injury and damage to property.

To avoid the risk of accidents or damage to the appliance, please read these instructions carefully before installation and before using it for the first time. They contain important notes on installation, safety, use and maintenance.

Miele cannot be held liable for damage caused by non-compliance with these Warning and Safety instructions.

Keep these instructions in a safe place and ensure that new users are familiar with the content. Pass them on to any future owner.

Warning and Safety instructions

Correct application

- ▶ This Tepan Yaki is intended for domestic use and use in other similar environments.
- ▶ The appliance is not intended for outdoor use.
- ▶ It is intended for domestic use only to cook food and keep it warm. Any other use is not supported by the manufacturer and could be dangerous.
- ▶ People with reduced physical, sensory or mental capabilities, or lack of experience and knowledge who are not able to use the appliance safely on their own must be supervised whilst using it. They may only use it unsupervised if they have been shown how to use it safely and recognise and understand the consequences of incorrect operation.

Safety with children

- ▶ Children under 8 years of age must be kept away from the appliance unless they are constantly supervised.
- ▶ Children 8 years and older may only use the appliance unsupervised if they have been shown how to use it in a safe way and can recognise and understand the consequences of incorrect operation.
- ▶ Children must not be allowed to clean the appliance unsupervised.
- ▶ Please supervise children in the vicinity of the appliance, and do not let them play with it.
- ▶ The appliance gets hot when in use and remains hot for a while after being switched off. Keep children well away from the appliance until it has cooled down and there is no danger of burning.
- ▶ Danger of burning.
Do not store anything which might arouse a child's interest in storage areas above or next to the appliance. Otherwise they could be tempted into climbing onto the appliance.
- ▶ Danger of suffocation. Packaging, e.g. plastic wrappings, must be kept out of the reach of babies and children. Whilst playing, children could become entangled in packaging or pull it over their head and suffocate.

Warning and Safety instructions

Technical safety

- ▶ Unauthorised installation, maintenance and repairs can cause considerable danger for the user. Installation, maintenance and repairs must only be carried out by a Miele authorised technician.
- ▶ Do not use a damaged appliance. It could be dangerous. Check the appliance for visible signs of damage.
- ▶ Reliable and safe operation of this appliance can only be assured if it has been connected to the mains electricity supply.
- ▶ The electrical safety of this appliance can only be guaranteed when correctly earthed. It is essential that this standard safety requirement is met. If in any doubt please have the electrical installation tested by a qualified electrician.
- ▶ Before connecting the appliance to the mains supply, ensure that the connection data on the data plate (voltage and frequency) match the mains electricity supply.
This data must correspond in order to avoid the risk of damage to the appliance. Consult a qualified electrician if in any doubt.
- ▶ Do not connect the appliance to the mains electrical supply by a multi-socket adapter or extension lead. These are a fire hazard and do not guarantee the required safety of the appliance.
- ▶ For safety reasons, this appliance may only be used when it has been built in.
- ▶ The appliance must not be used in a non-stationary location (e.g. on a ship).
- ▶ Never open the casing of the appliance.
Touching or tampering with electrical connections or components and mechanical parts is highly dangerous to the user and can cause operational faults.

Warning and Safety instructions

- ▶ While the appliance is under guarantee, repairs should only be undertaken by a Miele authorised service technician. Otherwise the guarantee is invalidated.
- ▶ Miele can only guarantee the safety of the appliance when genuine original Miele replacement parts are used. Faulty components must only be replaced by Miele spare parts.
- ▶ The appliance is not intended for use with an external timer switch or a remote control system.
- ▶ If the plug is removed from the connection cable or if the cable is supplied without a plug, the appliance must be connected to the electrical supply by a suitably qualified electrician.
- ▶ If the connection cable is damaged, it must be replaced by a suitably qualified electrician with a special connection cable of type H 05 VV-F (pvc insulated). See "Electrical connection".
- ▶ During installation, maintenance and repair work, the appliance must be disconnected from the mains electricity supply.
- ▶ Danger of electric shock.
Do not use the appliance if it is faulty. Switch it off immediately, disconnect it from the mains electricity supply and contact Miele.
- ▶ If the appliance is installed behind a furniture panel (e.g. a door), ensure that the door is never closed whilst the appliance is in use. Heat and moisture can build up behind a closed furniture panel and cause subsequent damage to the appliance, the housing unit and the floor. Do not close the door until the residual heat indicators have gone out.

Warning and Safety instructions

Correct use

- ▶ The appliance gets hot when in use and remains hot for a while after being switched off. There is a danger of burning until the residual heat indicators go out.
- ▶ Due to the high temperatures radiated, objects left near the appliance when it is in use could catch fire.
Do not use the appliance to heat up the room.
- ▶ Oil and fat can overheat and catch fire. Do not leave the appliance unattended when cooking with oil and fat. If it does ignite do not attempt to put the flames out with water.
Disconnect the appliance from the mains and use a suitable fire blanket, saucepan lid, damp towel or similar to smother the flames.
- ▶ Flames could set the grease filters of a cooker hood on fire. Do not flambé under a cooker hood.
- ▶ Spray canisters, aerosols and other inflammable substances can ignite when heated. Therefore do not store such items or substances in a drawer under the appliance. Cutlery inserts must be heat-resistant.
- ▶ Do not heat up food in closed containers e.g. tins or sealed jars on the appliance, as pressure can build up in the container, causing it to explode.
- ▶ Do not cover the appliance, e.g. with cover, a cloth or protective foil. The material could catch fire, shatter or melt if the appliance is switched on by mistake or if residual heat is still present.
- ▶ When the appliance is switched on either deliberately or by mistake, or when there is residual heat present, there is the risk of any metal items left on the appliance heating up, with the danger of burning. Depending on the material, other items left on the appliance could also melt or catch fire. Do not use the appliance as a resting place. Switch the appliance off after use.

Warning and Safety instructions

- ▶ You could burn yourself on the hot appliance. Protect your hands with heat-resistant pot holders or gloves when working with the hot appliance. Do not let them get wet or damp, as this causes heat to transfer through the material more quickly with the risk of scalding or burning yourself.
- ▶ When using an electrical appliance, e.g. a hand-held food blender, near the appliance, ensure that the cable of the electrical appliance cannot come into contact with the hot appliance. The insulation on the cable could become damaged.
- ▶ The appliance becomes very hot. Do not use plastic utensils. Even heat-resistant plastic utensils are unsuitable.
- ▶ Where several CombiSets are installed side by side:
Hot objects can damage the seal of the cover strip between the appliances. Do not place hot pans near or on the cover strip.

Warning and Safety instructions

Cleaning and care

- ▶ Do not use a steam cleaning appliance to clean this appliance. The steam could reach electrical components and cause a short circuit.

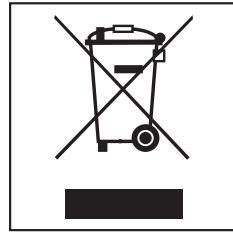
Disposal of the packing material

The packaging is designed to protect the appliance from damage during transportation. The packaging materials used are selected from materials which are environmentally friendly for disposal and should be recycled.

Recycling the packaging reduces the use of raw materials in the manufacturing process and also reduces the amount of waste in landfill sites.

Disposal of your old appliance

Electrical and electronic appliances often contain valuable materials. They also contain materials which, if handled or disposed of incorrectly, could be potentially hazardous to human health and to the environment. They are, however, essential for the correct functioning of your appliance. Please do not therefore dispose of it with your household waste.

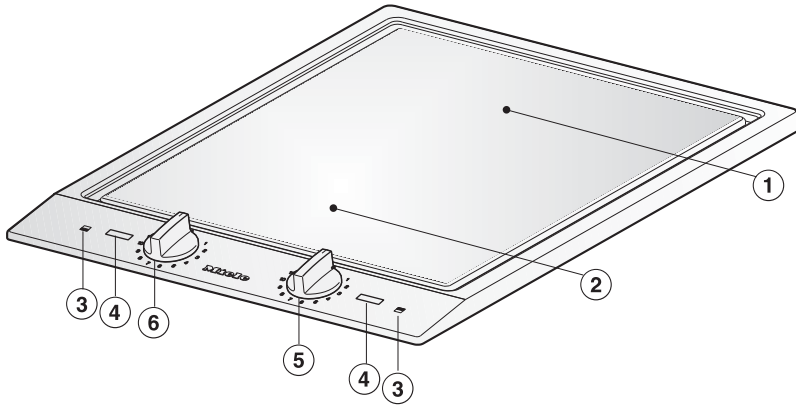


Please dispose of it at your local community waste collection / recycling centre or contact your Dealer for advice.

Ensure that it presents no danger to children while being stored for disposal.

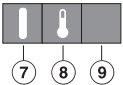
Guide to the appliance

Tepan Yaki



- ① Rear cooking zone
- ② Front cooking zone
- ③ Symbols to indicate which cooking zone the control is for
- ④ Indicators
- ⑤ Control for rear cooking zone
- ⑥ Control for front cooking zone

Indicators



- ⑦ In-operation indicator
- ⑧ Temperature indicator light
- ⑨ Residual heat indicator

- Please stick the extra data plate for the appliance supplied with this documentation in the space provided in the "After sales service, data plate, guarantee" section of this booklet.
- Remove any protective wrapping and stickers.

Cleaning the CombiSet for the first time

- Wipe all surfaces with a damp cloth and then dry them.

Switching on the CombiSet for the first time

The metal components have a protective coating which when heated for the first time will give off a slight smell and possibly some vapours.

The smell and any vapours given off do not indicate a faulty connection or appliance and they are not hazardous to health.

Settings

Cooking process	Setting range
Keeping cooked food warm	1–2
Steaming fruit, e.g. apple slices, peach halves, sliced bananas, etc.	2–4
Gentle stir-frying of vegetables, e.g. leeks, sliced mushrooms, green/red peppers, onion rings, etc.	5–7
Gentle frying of breaded or battered fish	7–9
Rapid frying in succession of meat, fish fried eggs, pancakes, hash browns etc.	9–11
Frying potato pancakes, prawns, corn-on-the-cob	11–12


These settings are only a guide. The actual cooking time will depend on the type of food, its texture and thickness.

The Tepan plate is divided into two separate cooking zones which can be switched on and regulated independently of one another. The entire area can be used when cooking large quantities of food. When cooking smaller quantities, the front zone can be used for cooking whilst the rear zone can be used to keep food warm using a lower power setting.

Operating controls

The controls must not be turned past 12 to 0.

Switching on

 Fire hazard.

Do not leave the appliance unattended whilst it is being used.

- Turn the control clockwise to the required power level.

The in-operation indicator and the temperature indicator will light up. The residual heat indicator will light up after a certain temperature has been reached.

The temperature indicator light will switch on and off intermittently in conjunction with the heating element.

Switching off

- Turn the control anti-clockwise to 0.

Residual heat indicator

If the appliance is still hot, the residual heat indicator will light up after it has been switched off.

The residual heat indicator remains on until the Tepan plate is cool enough to touch.

Danger of burning.

Do not touch the Tepan plate while the residual heat indicator remains on.

Operation

Tips

Wipe the surface of the Tepan plate before each use with a damp cloth to remove any dust or other residue.

- Pre-heat the Tepan plate thoroughly for 8-10 minutes at the power level that you are going to be using for cooking. Pre-heat at power level 12 if you are going to be cooking at settings 9-12.
- It is important to get the Tepan plate sufficiently hot before use, particularly with meat. If it is not hot enough, the meat will lose too much juice.
- You only need to use the minimum amount of oil or fat when cooking on the Tepan plate. With marinated food, no fat or oil is needed. Wait until the temperature indicator light has gone out before adding cooking fat.
- Only use fats and oils which can be heated to high temperatures.
- Marinating often improves the flavour of food to be cooked.
- Pat wet food dry with kitchen paper before cooking to prevent it spitting.
- To prevent meat drying out, do not season with salt until after it has been cooked.



Danger of burning.

Before cleaning the appliance make sure that you have switched it off and that it has cooled down.



Danger of injury.

The steam from a steam cleaning appliance could reach electrical components and cause a short circuit. Do not use a steam cleaner to clean the appliance.

The use of unsuitable cleaning agents can cause the surfaces to discolour or alter.

All surfaces are susceptible to scratching.

Remove any residual cleaning agent immediately.

Allow the CombiSet to cool down before cleaning.

- The CombiSet and accessories should be cleaned after each use.
- Dry the CombiSet after using water to clean it. This helps prevent lime deposits.

Unsuitable cleaning agents

To avoid damaging the surfaces, do not use:

- cleaning agents containing soda, ammonia, acids or chlorides
- cleaning agents containing descaling agents
- stain or rust removers
- abrasive cleaning agents, e.g. powder cleaners and cream cleaners
- solvent-based cleaning agents
- dishwasher cleaner
- grill and oven cleaners
- glass cleaning agents
- hard, abrasive brushes or sponges, e.g. pot scourers, brushes or sponges which have been previously used with abrasive cleaning agents
- melamine eraser blocks

Cleaning and care

Frying surface

- Use a spatula to remove any large particles immediately.
- Allow the appliance to cool down until it can be touched by hand, and then use a solution of hot water and washing-up liquid to soften the soiling. Clean the surface with the pad of a non-scouring sponge and a few drops of Miele Ceramic and stainless steel hob cleaning agent (see "Optional accessories"). Finally wipe with a damp cloth and dry thoroughly.

Always use clean water to wipe the appliance to ensure that every trace of cleaning agent has been removed. Any remaining traces could affect food the next time you use the appliance.

Important - Conditioning agents for stainless steel must not be used on the frying surface.

Stainless steel frame/control panel

- Clean the frame and the control panel with a solution of warm water and a little washing-up liquid applied with a soft sponge.

You can also use a ceramic and stainless steel cleaning agent. We recommend also using a stainless steel conditioning agent to help prevent resoiling (see "Optional accessories").

Do not use ceramic and stainless steel cleaner or stainless steel conditioning agent on the **printing**.

This would rub the printing off.

These areas should be only cleaned with a solution of warm water and a little washing-up liquid applied with a soft sponge.

Operating controls

- Clean the control(s) with a solution of warm water and a little washing-up liquid applied with a soft sponge. Stubborn soiling should be soaked first.
- Dry the control(s) with a clean cloth.

Problem solving guide

With the aid of the following guide, minor problems can be easily corrected without contacting Miele.

If having followed the suggestions below, you still cannot resolve the problem, please contact Miele (see end of this booklet for contact details).



Danger of injury. Installation, maintenance and repairs may only be carried out by a suitably qualified and competent person.

Repairs and other work by unqualified persons could be dangerous. Miele cannot be held liable for unauthorised work.

Do not attempt to open the casing of the CombiSet yourself.

Problem	Cause and remedy
The appliance does not heat up.	The appliance is not being supplied with electricity. <ul style="list-style-type: none">■ Check if the mains fuse has tripped. If it has, contact a qualified electrician or Miele (minimum fuse rating - see data plate).

Optional accessories

Miele offer a comprehensive range of useful accessories as well as cleaning and conditioning products for your Miele appliances.

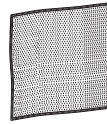
These can be ordered online or from Miele (see end of this booklet for contact details).

Ceramic and stainless steel hob cleaner 250 ml



Removes heavy soiling, limescale deposits and aluminium residues

Microfibre cloth



Removes finger marks and light soiling

Safety instructions for installation

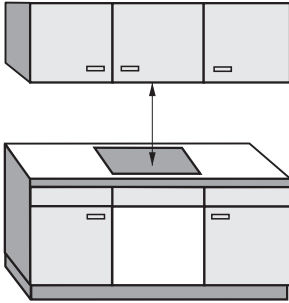
Fit the wall units and cooker hood before fitting the CombiSet to avoid damaging it.

- ▶ The veneer or laminate coatings of worktops (or adjacent kitchen units) must be treated with 100 °C heat-resistant adhesive which will not dissolve or distort. Any backmoulds must be of heat-resistant material.
- ▶ The Tepan Yaki must not be installed directly next to a salamander (CS 1421). It is essential to maintain a distance of at least 150 mm between these two appliances.
- ▶ The CombiSet must not be installed over a fridge, fridge-freezer, freezer, dishwasher, washing machine, washer-dryer or tumble dryer.
- ▶ When installing the CombiSet, make sure that the connection cable cannot come into contact with hot appliance parts.
- ▶ The electrical cable of the CombiSet must not come into contact with any moving kitchen component (e.g. a drawer) or be subject to any mechanical action which could damage it.
- ▶ Observe carefully the safety clearances listed on the following pages.

All dimensions are given in mm.

Safety distances

Safety distance above the CombiSet



A minimum safety distance must be maintained between the CombiSet and the cooker hood above it. See the cooker hood manufacturer's operating and installation instructions for details. If the manufacturer's instructions are not available for the cooker hood a minimum safety distance of at least 760 mm must be maintained, or if any flammable objects (e.g. utensil rails, wall units etc) are installed above the CombiSet, a minimum safety distance of at least 760 mm must be maintained between them and the CombiSet below.

When two or more CombiSets which have different safety distances are installed together below a cooker hood, you should observe the greatest safety distance.

Safety distances to the sides and back of the hob

The CombiSet may be installed with a wall at the rear and a tall unit or wall to one side (right **or** left) (see illustrations).

① Minimum distance between the **back** of the worktop cut-out and the rear edge of the worktop:

50 mm

②③ Minimum distance between the worktop cut-out and a tall unit or wall to the **right or left** of it:

40 mm CS 1212 / CS 1212-1
 CS 1221 / CS 1221-1
 CS 1234 / CS 1234-1
 CS 1223
 CS 1222

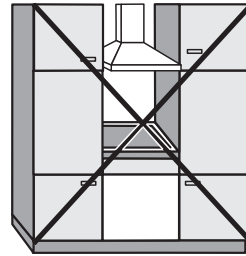
50 mm CS 1112
 CS 1122
 CS 1134
 CS 1326
 CS 1327
 CS 1411

100 mm CS 1012 / CS 1012-1

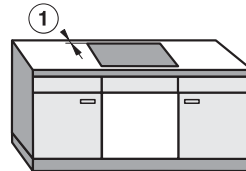
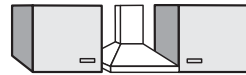
150 mm CS 1421
 CS 1312
 CS 1322

200 mm CS 1034 / CS 1034-1

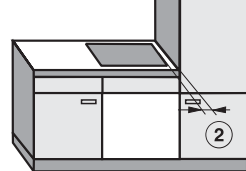
250 mm CS 1011 / CS 1021



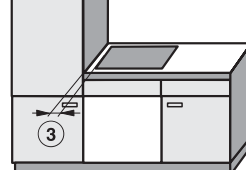
Not allowed



Recommended



Not recommended



Not recommended

Safety distances

Safety distance when installing the appliance near a wall with additional niche cladding

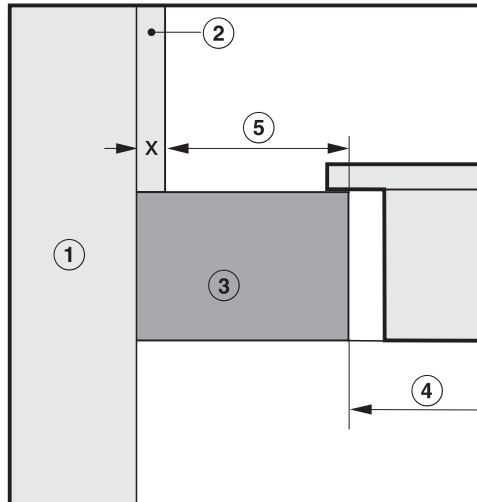
A minimum safety distance must be maintained between the worktop cut-out and any niche cladding to protect it from heat damage.

If the niche cladding is made from a combustible material (e.g. wood) a minimum safety distance ⑤ of 50 mm must be maintained between the cut-out and the cladding.

If the niche cladding is made from a non-combustible material (e.g. metal, natural stone, ceramic tiles) the minimum safety distance ⑤ between the cut-out and the cladding will be 50 mm less the thickness of the cladding.

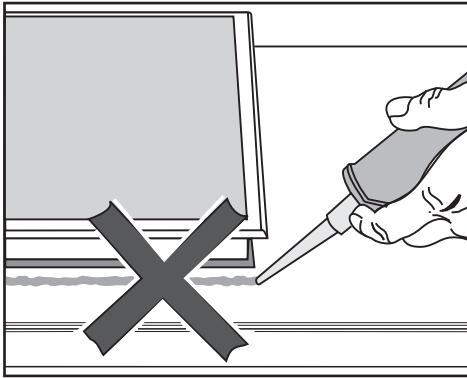
Example: 15 mm niche cladding

50 mm - 15 mm = minimum safety distance of 35 mm



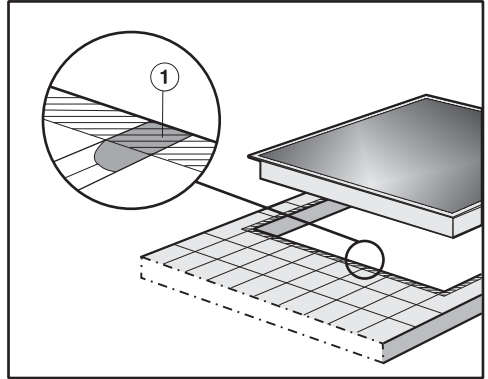
- ① Masonry
- ② Niche cladding dimension x = thickness of the niche cladding material
- ③ Worktop
- ④ Worktop cut-out
- ⑤ Minimum distance to
combustible materials 50 mm
non-combustible materials 50 mm - dimension x

Seal between the CombiSet and the worktop



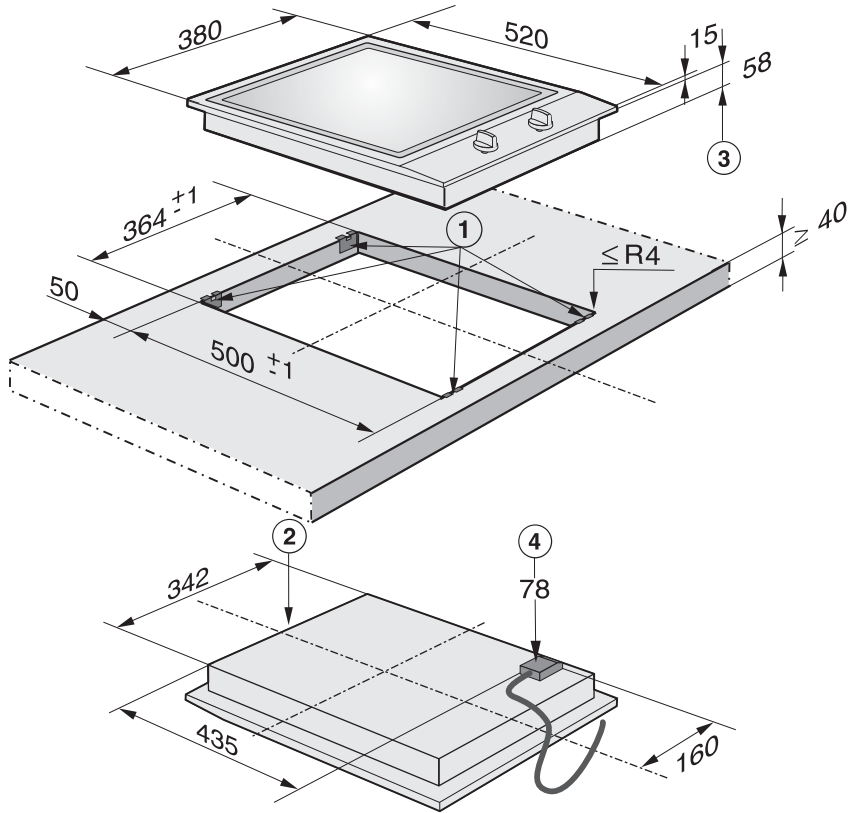
Do not use sealant between the CombiSet and the worktop. This could result in damage to the CombiSet or the worktop if the CombiSet ever needs to be removed for servicing.
The sealing strip under the edge of the top part of the appliance provides a sufficient seal for the worktop.

Tiled worktop



Grout lines ① and the hatched area underneath the CombiSet frame must be smooth and even. If they are not the CombiSet will not sit flush with the worktop and the sealing strip underneath the top part of the appliance will not provide a good seal between the appliance and the worktop.

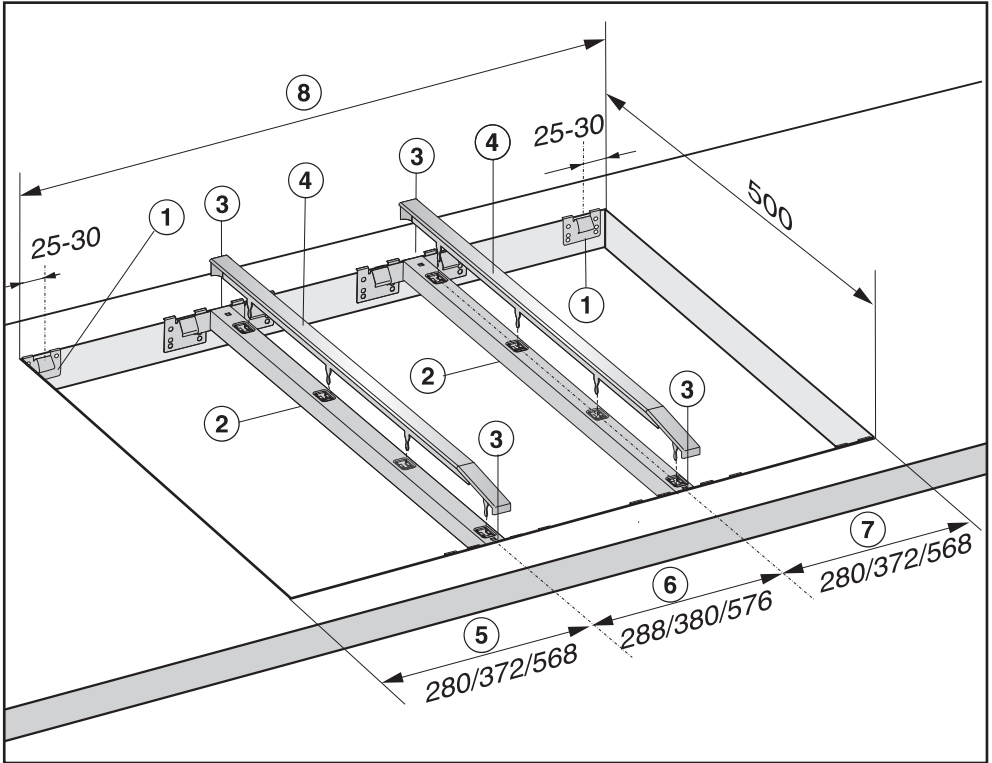
Building-in dimensions



- ① Spring clamps
- ② Front
- ③ Casing depth
- ④ Casing depth including mains connection box with mains connection cable, L = 2000 mm

Building-in several CombiSets

Example: 3 CombiSets



- ① Spring clamps
- ② Spacer bars
- ③ Gaps between spacer bars and worktop
- ④ Cover strips
- ⑤ CombiSet width minus 8 mm
- ⑥ CombiSet width
- ⑦ CombiSet width minus 8 mm
- ⑧ Worktop cut-out

Building-in several CombiSets

Calculating the worktop cut-out

The frames of the CombiSets overlap the worktop at the outside right and left by 8 mm on each side.

- Add up the widths of the CombiSets and subtract 16 mm from this figure.

Example:

$$288 \text{ mm} + 288 \text{ mm} + 380 \text{ mm} = 956 \text{ mm} - 16 \text{ mm} = 940 \text{ mm}$$

The CombiSets are 288 mm, 380 mm or 576 mm wide depending on model (see "Building-in dimensions").

Spacer bars

When building-in several CombiSets an additional spacer bar must be fitted for each additional CombiSet. The position for securing the spacer bar will depend on the width of the CombiSet.

Installation with a downdraft extractor

Please refer to the separate "Downdraft extractor with CombiSet" instruction manual for details about worktop cut-out dimensions and fitting spacer bars.

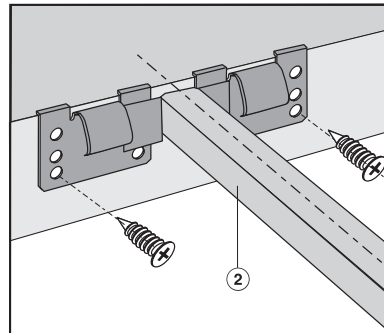
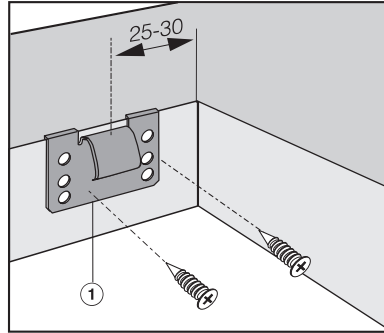
Preparing the worktop

- Make the worktop cut-out as shown in "Building-in dimensions" or as calculated (see Building several CombiSets). Observe the safety distances (see "Safety distances").

Wooden worktops

- Seal the cut surfaces with a suitable sealant to avoid swelling caused by moisture. The sealant must be heat-resistant.

Make sure that the sealant does not come into contact with the top of the worktop.

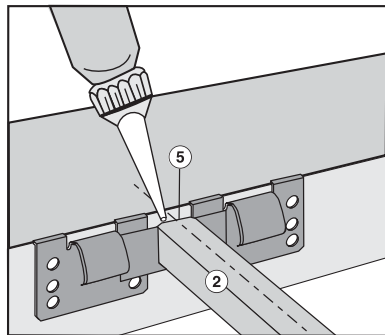
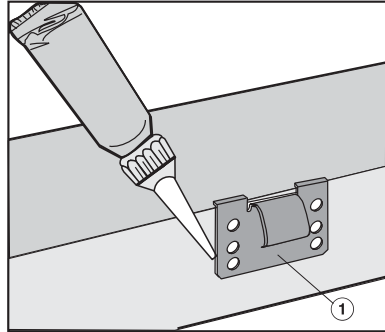
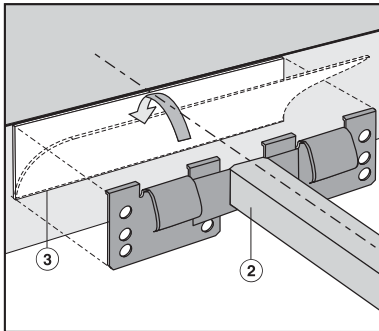
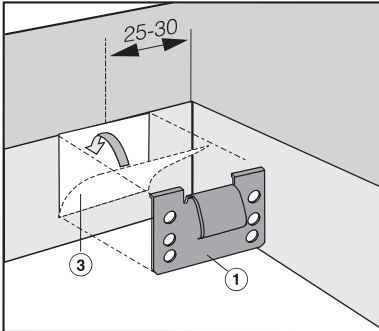


- Position the spring clamps ① and spacer bars ② on or at the top edge of the cut-out in the positions shown.
- Secure the spring clamps ① and spacer bars ② with the 3.5 x 25 mm wood screws supplied.

Installation

Natural stone worktops

You will need heavy duty double-side tape (not supplied) to secure the spring clamps and spacer bars.



- Stick the tape ③ to the top edge of the cut-out in the positions shown in the diagram.
- Position the spring clamps ① and spacer bars ② on or at the top edge of the cut-out and press them firmly into place.

- Apply silicone to the side and lower edges of the spring clamps ① and the spacer bars ②.
- Then fill gap ⑤ between spacer bar ② and the worktop with silicone.

Installation with a downdraft extractor

Please refer to the separate "Downdraft extractor with CombiSet" instruction manual for details about installing a downdraft extractor with a CombiSet appliance.

Installing the CombiSet

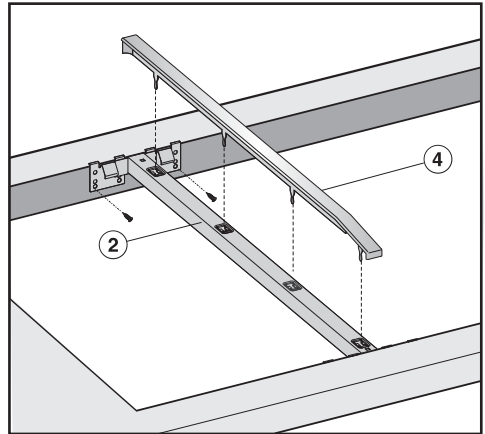
- Feed the mains connection cable down through the cut-out.
- Starting at the front, position the CombiSet in the worktop cut-out.
- Using both hands, press down evenly on the edges of the CombiSet until it clicks into position. When doing this make sure that the seal underneath the appliance sits flush with the worktop. This is important to ensure an effective seal with the worktop.

Do not use sealant (e.g. silicone).

If the seal does not meet the worktop correctly on the corners, the corner radius ($\leq R4$) can be carefully scribed to suit.

Building in several CombiSets

- Push the built-in CombiSet to the side until the holes in the spacer bar can be seen.



- Fit cover strip ④ into the holes in spacer bar ②.
- Starting at the front, position the next CombiSet in the worktop cut-out.
- Proceed as described previously.

Installation

Connecting the CombiSet

- Connect the CombiSet(s) to the mains.
- Check that each CombiSet works.

Removing the CombiSet

If the CombiSet cannot be accessed from below, you will need a special tool to remove it.

- If the CombiSet can be accessed from below, push it out from below. Push the rear side out first.

All electrical work should be carried out by a suitably qualified and competent person in strict accordance with current local and national safety regulations (e.g. BS 7671 in the UK). Connection should be made via a switched socket. This will make it easier for service technicians should the appliance need to be repaired. The electrical socket must be easily accessible after installation.

 **Danger of injury.**

Miele cannot be held liable for unauthorised installation, maintenance and repair work as this can be dangerous to users.

Miele cannot be held liable for damage or injury caused by incorrect installation, maintenance or repair work, or by an inadequate or faulty earthing system (e.g. electric shock).

If the plug is removed from the connection cable or if the cable is supplied without a plug, the appliance must be connected to the electrical supply by a suitably qualified electrician.

If the switched socket is not accessible after installation, or if the appliance is to be hard-wired, an additional means of disconnection must be provided for all poles. When switched off, there must be an all-pole contact gap of at least 3 mm in the switch (including switch, fuses and relays). Connection data is shown on the data plate. It must match the mains electrical supply.

After installation ensure that all electrical components are shielded and cannot be accessed by users.

Total power rating

See data plate

Connection

AC 230 V, 50 Hz


The connection data is quoted on the dataplate. It must match the household supply.

Residual current device

For extra safety, it is advisable to protect the CombiSet with a suitable residual current device (RCD) with a trip range of 30 mA.

Electrical connection

Disconnecting from the mains

 Danger of electric shock.
After disconnection, ensure the appliance cannot be switched back on by mistake.

To disconnect the appliance from the mains power supply, do one of the following depending on installation:

Safety fuses

- Completely remove fuses

Automatic circuit breakers

- Press the (red) button until the middle (black) button springs out.


Built-in circuit breakers

- Circuit breakers, type B or C: switch the on-off switch from 1 (on) to 0 (off).

Residual current device (RCD)

- Switch the main switch from 1 (on) to 0 (off) or press the test button.

Connecting the mains cable

 Danger of electric shock.
The mains connection cable must be fitted by a suitably qualified and competent person in accordance with current local and national safety regulations. (e.g. BS 7671 in the UK).

If the mains cable needs to be replaced it must be replaced with a special connection cable, type H 05 VV-F (PVC-insulated), available from Miele.

The connection data is quoted on the data plate.

After sales service, data plate, guarantee

After sales service

In the event of any faults which you cannot easily remedy, please contact

- your Miele Dealer, or
- Miele Service.

See end of this booklet for contact details.

Please note that telephone calls may be monitored and recorded for training purposes.

N.B. A call-out charge will be applied to service visits where the problem could have been resolved as described in these instructions.

When contacting your Dealer or Miele, please quote the model and serial number of your appliance.

Data plate

Space in which to stick the extra data plate supplied with the appliance. Ensure that the model number is the same as the one on the back page of these instructions.

Guarantee: UK

The appliance is guaranteed for 2 years from the date of purchase.

In the UK, you must activate your cover by calling 0330 160 6640 or registering online at www.miele.co.uk.

Guarantee: Other countries

For information on the appliance guarantee specific to your country please contact Miele. See end of this booklet for contact details.

Product data sheets

The following data sheets apply to the models described in this operating instruction manual.

Information for domestic electric hobs

In acc. with regulation (EU) No. 66/2014

MIELE	
Model name / identifier	CS 1327
Number of cooking zones and/or areas	
For circular cooking zones: diameter of useful surface area/cooking zone For non-circular cooking zones or areas: length and width of useful surface area per electric cooking zone or area	1. = 190x290 mm 2. = 190x290 mm 3. = 4. = 5. = 6. =
Energy consumption per cooking zone or area calculated per kg ($EC_{\text{electric cooking}}$)	-
Energy consumption for the hob calculated per kg ($EC_{\text{electric hob}}$)	-

United Kingdom

Miele Co. Ltd.
Fairacres, Marcham Road
Abingdon, Oxon, OX14 1TW
Customer Contact Centre Tel: 0330 160 6600
E-mail: mielecare@miele.co.uk
Internet: www.miele.co.uk

Australia

Miele Australia Pty. Ltd.
ACN 005 635 398
ABN 96 005 635 398
1 Gilbert Park Drive, Knoxfield, VIC 3180
Tel: 1300 464 353
Internet: www.miele.com.au

China

Miele (Shanghai) Trading Ltd.
1-3 Floor, No. 82 Shi Men Yi Road
Jing' an District
200040 Shanghai, PRC
Tel: +86 21 6157 3500, Fax: +86 21 6157 3511
E-mail: info@miele.cn, Internet: www.miele.cn

Miele (Hong Kong) Limited

41/F - 4101, Manhattan Place
23 Wang Tai Road
Kowloon Bay, Hong Kong
Tel: (852) 2610 1331, Fax: (852)2610 1013
Email: mielehk@miele.com.hk

India

Miele India Pvt. Ltd.
Ground Floor, Copia Corporate Suites
Plot No. 9, Jasola
New Delhi - 110025
Tel: 011-46 900 000, Fax: 011-46 900 001
E-mail: customercare@miele.in, Internet: www.miele.in

Ireland

Miele Ireland Ltd.
2024 Bianconi Avenue
Citywest Business Campus, Dublin 24
Tel: (01) 461 07 10, Fax: (01) 461 07 97
E-Mail: info@miele.ie, Internet: www.miele.ie

Manufacturer: Miele & Cie. KG

Carl-Miele-Straße 29, 33332 Gütersloh, Germany

Miele

Malaysia

Miele Sdn Bhd
Suite 12-2, Level 12
Menara Sapura Kencana Petroleum
Solaris Dutamas No. 1, Jalan Dutamas 1
50480 Kuala Lumpur, Malaysia
Phone: +603-6209-0288
Fax: +603-6205-3768

New Zealand

Miele New Zealand Limited
IRD 98 463 631
Level 2, 10 College Hill
Freemans Bay, Auckland 1011, NZ
Tel: 0800 464 353
Internet: www.miele.co.nz

Singapore

Miele Pte. Ltd.
163 Penang Road
04 - 03 Winsland House II
Singapore 238463
Tel: +65 6735 1191, Fax: +65 6735 1161
E-Mail: info@miele.com.sg
Internet: www.miele.sg

South Africa

Miele (Pty) Ltd
63 Peter Place, Bryanston 2194
P.O. Box 69434, Bryanston 2021
Tel: (011) 875 9000, Fax: (011) 875 9035
E-mail: info@miele.co.za
Internet: www.miele.co.za

United Arab Emirates

Miele Appliances Ltd.
P.O. Box 11 47 82
Gold & Diamond Park, Sheikh Zayed Road
Building 6 / Offices Nos. 6-214 to 6-220
Dubai
Tel: +971-4-341 84 44
Fax: +971-4-341 88 52
E-Mail: info@miele.ae
Internet: www.miele.ae

CS 1327



en-GB

M.-Nr. 09 054 670 / 03