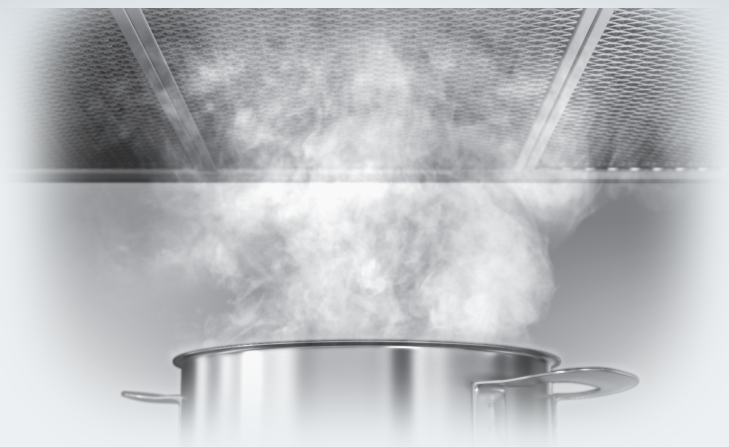


# Operating and installation instructions

## Cooker hood



To prevent the risk of accidents or damage to the appliance, it is **essential** to read these instructions before it is installed and used for the first time.

# Contents

---

<b>Warning and Safety instructions</b> .....	4
<b>Caring for the environment</b> .....	13
<b>Guide to the appliance</b> .....	14
<b>Modes of operation</b> .....	16
<b>Before using for the first time</b> .....	17
Settings with the deflector plate retracted .....	17
Select Extraction mode or Recirculation mode.....	17
Setting up Miele@home .....	18
Signing off the remote control.....	18
Connecting via the app .....	18
Connecting via WPS .....	20
Sign out of WiFi (reset to factory settings) .....	21
Setting up Con@ctivity .....	22
Con@ctivity via the home WiFi network (Con@ctivity 3.0) .....	22
Con@ctivity via a direct WiFi connection (Con@ctivity 3.0) .....	23
Con@ctivity with direct wireless connection (Con@ctivity 2.0) .....	24
Signing the remote control on/off.....	27
Signing off the remote control.....	28
To cancel the signing on procedure .....	29
<b>Operation (Automatic mode)</b> .....	30
Cooking with Con@ctivity (Automatic mode).....	30
Leaving automatic mode temporarily .....	32
Returning to automatic mode.....	32
<b>Operation (Manual mode)</b> .....	33
Cooking without Con@ctivity (Manual mode) .....	33
Remote control.....	33
Extending the deflector plate, switching the fan on .....	33
Switching on without remote control .....	33
Selecting the power level .....	34
Selecting the run-on time .....	34
Switching the fan off .....	35
Dimming/switching the hob lighting on/off .....	35
Power management .....	35
<b>Operation (Automatic and Manual modes)</b> .....	37
Operating hours counter .....	37
Altering the operating hours counter for the grease filter(s) .....	37
Altering or deactivating the charcoal filter operating hours counter .....	38
Reading the filter operating hours counter.....	39

---

<b>Energy saving tips</b> .....	40
<b>Cleaning and care</b> .....	41
Housing .....	41
Grease filters .....	42
Charcoal filters .....	44
Resetting the charcoal filter operating hours counter .....	44
Disposing of charcoal filters .....	44
Remote control .....	45
Cleaning the remote control .....	45
Changing the battery .....	45
<b>Installation</b> .....	46
Appliance dimensions .....	46
Safety distance between hob and cooker hood (S) .....	48
Installation recommendations .....	49
Before installation .....	49
Assembly parts .....	50
Extraction mode .....	59
Setting up for recirculation mode .....	60
Electrical connection .....	60
<b>Electrical connection</b> .....	61
<b>Connection for air extraction</b> .....	62
Condensate trap .....	63
Silencer .....	63
<b>After Sales / Warranty</b> .....	65
Position of the data plate .....	65
<b>Technical data</b> .....	66
Special accessories for recirculation mode .....	66
Conformity declaration .....	67

## Warning and Safety instructions

---

This appliance complies with all relevant local and national safety requirements. Inappropriate use can, however, lead to personal injury and damage to property.

To avoid the risk of accidents and damage to the appliance, please read these instructions carefully before using it for the first time. They contain important notes on the safety, installation, use and maintenance of the appliance. Miele cannot be held liable for non-compliance with these instructions.

Keep these instructions in a safe place and ensure that all users are familiar with the contents. Pass them on to any future owner of the appliance.

### Correct application

- ▶ This cooker hood is intended for use in domestic households and similar working and residential environments.
- ▶ The cooker hood is not intended for outdoor use.
- ▶ It must only be used as a domestic appliance to extract vapours and remove odours from cooking. Any other usage is not supported by the manufacturer and could be dangerous.
- ▶ Where a recirculation cooker hood is fitted above a gas hob, please ensure that there is an adequate supply of fresh air into the room in which it is installed. Please seek the advice of a qualified gas fitter (e.g. GasSafe in the UK) if necessary.

## Warning and Safety instructions

---

▶ The cooker hood can only be used by people with reduced physical, sensory or mental capabilities, or lack of experience and knowledge, if they are supervised whilst using it, or have been shown how to use it in a safe way and recognise and understand the consequences of incorrect operation.

### **Safety with children**

- ▶ Children under 8 years of age must be kept away from the cooker hood unless they are constantly supervised.
- ▶ Children 8 years and older may only use the cooker hood unsupervised if they have been shown how to use it safely and recognise and understand the consequences of incorrect operation.
- ▶ Children must not be allowed to clean or maintain the cooker hood unsupervised.
- ▶ Please supervise children in the vicinity of the cooker hood and do not let them play with it.
- ▶ The hob lighting is very intensive.  
Ensure, in particular, that babies/small children do not look at the light.
- ▶ Danger of suffocation! Whilst playing, children may become entangled in packaging material (such as plastic wrapping) or pull it over their head with the risk of suffocation. Keep packaging material away from children.
- ▶ Keep the battery for the remote control out of the reach of children.

# Warning and Safety instructions

---

## Technical safety

- ▶ Unauthorised installation, maintenance and repairs can cause considerable danger for the user. Installation, maintenance and repairs must only be carried out by a Miele authorised technician.
- ▶ A damaged appliance can be dangerous. Check it for visible signs of damage. Do not use a damaged appliance.
- ▶ The electrical safety of this appliance can only be guaranteed when correctly earthed. It is essential that this standard safety requirement is met. If in any doubt please have the electrical installation tested by a qualified electrician.
- ▶ Reliable and safe operation of this cooker hood can only be assured if it has been connected to the mains electricity supply.
- ▶ The connection data (voltage and frequency) on the data plate of the cooker hood must match the mains electricity supply in order to avoid the risk of damage to the cooker hood  
Compare this before connecting the appliance to the mains. Consult a qualified electrician if in any doubt.
- ▶ Do not connect the appliance to the mains electricity supply by a multi-socket unit or an extension lead. These are a fire hazard and do not guarantee the required safety of the appliance.

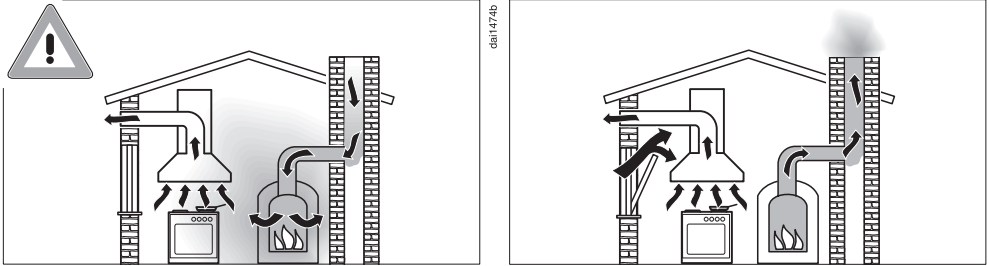
## Warning and Safety instructions

---

- ▶ For safety reasons, this appliance may only be used after it has been built in.
- ▶ The cooker hood must not be used in a non-stationary location (e.g. on a ship).
- ▶ Touching electrical components and tampering with electrical and mechanical parts is highly dangerous to the user and can cause operational faults.  
Only open the housing as described in the instructions given in the installation sheet and in the Cleaning and care section of this booklet. Under no circumstances should any other parts of the housing be opened.
- ▶ The manufacturer's warranty will be invalidated if the appliance is not repaired by a Miele approved service technician.
- ▶ Miele can only guarantee the safety of the appliance when genuine original Miele replacement parts are used. Faulty components must only be replaced by Miele spare parts.
- ▶ If the electrical connection cable is faulty it must only be replaced by a Miele authorised service technician to protect the user from danger.
- ▶ During installation, maintenance and repair work, the appliance must be disconnected from the mains electricity supply.

# Warning and Safety instructions

Using at the same time as another heating appliance that depends on the air from the room



## Danger of toxic fumes!

Great care should be taken when using the cooker hood in the same room or the same area of the house at the same time as another heating appliance that depends on the air from the room. Such heating appliances draw in air from the room and duct exhaust gases out to the open air through a chimney or extraction ducting. They include gas, oil, wood and coal-fired boilers and heaters, continuous flow or other water heaters, gas hobs and ovens.

The cooker hood draws in air from the kitchen and from neighbouring rooms. This applies to the following modes of operation:

- extraction mode,
- extraction mode with an external motor,
- recirculation mode with a recirculation box installed outside the room.

If there is insufficient air, an underpressure will occur. The heating appliance may be starved of oxygen. This impairs combustion. Harmful gases could be drawn from the chimney or extraction ducting back into the room.

**Risk of death!**



## Warning and Safety instructions

---

In order to ensure safe operation and to prevent gases given off by the heating appliance from being drawn back into the room, when the cooker hood and the heater are both operated simultaneously, an underpressure in the room of 0.04 mbar (4 Pa) is the maximum permissible.

Sufficient ventilation can be maintained by air inlets which cannot be blocked, e.g. in windows, doors and outside wall vents. The diameter of the inlet openings must enable sufficient ventilation. A ventilation brick alone is not generally sufficient to ensure safe ventilation.

The overall ventilation condition of the dwelling must be taken into account. If in any doubt, the advice of a competent builder, or for gas, a qualified gas fitter should be sought.

If the cooker hood is being operated in recirculation mode, whereby the air is redirected into the room in which it is installed, the above restrictions do not apply.

# Warning and Safety instructions

---

## Correct use

▶ Never use a naked flame beneath the cooker hood. To avoid the danger of fire, do not flambé or grill over a naked flame. When switched on, the cooker hood could draw flames into the filter. Fat deposits could ignite, presenting a fire hazard.

▶ The cooker hood can become damaged when exposed to excessive heat.

- When using the cooker hood over a gas hob, ensure that any burners in use are always covered by a pan. Switch the cooking zone off when a pan is removed, even for a short time.
- Select a pan which is suitable for the size of the burner.
- Regulate the flame so that it does not burn up the sides of the pan.
- Avoid overheating the pan (e.g. when cooking with a wok).

▶ Always switch the cooker hood on when a cooking zone is in use, otherwise condensation may collect in the hood, which could cause corrosion.

▶ Overheated oil and fat can ignite, causing fire damage to the cooker hood.

When cooking with oil or fat, chip pans and deep fat fryers etc, do not leave the pans unattended. Similarly, never leave an open grill unattended when grilling.

## Warning and Safety instructions

---

- ▶ Do not use the cooker hood without the filters in place. This way you will avoid the risk of grease and dirt getting into the appliance and hindering its smooth operation.
- ▶ The cooker hood can get very hot during cooking due to heat rising from the hob.  
Do not touch the housing or the grease filters until the cooker hood has cooled down.

### Correct installation

- ▶ Refer to the cooker or hob manufacturer's instructions as to whether a cooker hood may be operated above the cooker/hob.
- ▶ Safety regulations prohibit the fitting of a cooker hood over solid fuel stoves.
- ▶ An insufficient safety distance between the hob and the cooker hood can result in damage to the cooker hood.  
The minimum safety distances between the top of the cooker or hob and the bottom of the cooker hood given in the “Installation” section of this booklet must be maintained, unless the hob manufacturer states that a greater safety distance is required.  
If more than one cooking appliance is fitted beneath the cooker hood, and they have different minimum safety distances to the cooker hood, select the greater distance.
- ▶ The distances given in “Installation” must be observed when fitting the cooker hood.
- ▶ Metal parts can have sharp edges which may cause injury.  
Wear gloves to protect your hands from being cut.
- ▶ Exhaust ducting must be of non-inflammable material. Suitable material is available from Miele specialist dealers or the Miele Spares Dept.
- ▶ The appliance must not be connected to a chimney or flue which is in use. Neither should it be connected to ducting which ventilates rooms with fireplaces.

## Warning and Safety instructions

---

▶ If exhaust air is to be extracted into a chimney or ventilation duct no longer used for other purposes, seek professional advice.

### Cleaning and care

▶ There is a risk of fire if the cooker hood is not cleaned as described in these operating instructions.

▶ Do not use a steam cleaning appliance to clean this appliance. The steam could reach electrical components and cause a short circuit.

▶ Important information on handling the remote control battery:

- Do not short circuit or recharge the battery, or throw it into a fire. Danger of explosion.
- Do not throw old batteries away with your general household waste. Please dispose of them in a designated battery collection and recycling system.

### Accessories

▶ Only use genuine original Miele accessories and spare parts with this appliance. Using accessories or spare parts from other manufacturers will invalidate the warranty and Miele cannot accept liability.

### Disposal of the packing material

The packaging is designed to protect the appliance from damage during transportation. The packaging materials used are selected from materials which are environmentally friendly for disposal and should be recycled.

Recycling the packaging reduces the use of raw materials in the manufacturing process and also reduces the amount of waste in landfill sites.

### Disposing of your old appliance

Electrical and electronic appliances often contain valuable materials. They also contain specific materials, compounds and components, which were essential for their correct function and safety. These could be hazardous to human health and to the environment if disposed of with your domestic waste or if handled incorrectly. Please do not, therefore, dispose of your old appliance with your household waste.



Please dispose of it at your local community waste collection / recycling centre for electrical and electronic appliances, or contact your dealer or Miele for advice. You are also responsible (by law, depending on country) for deleting any personal data that may be stored on the appliance being disposed of. Please ensure that

your old appliance poses no risk to children while being stored prior to disposal.

### Disposing of old batteries and rechargeable batteries

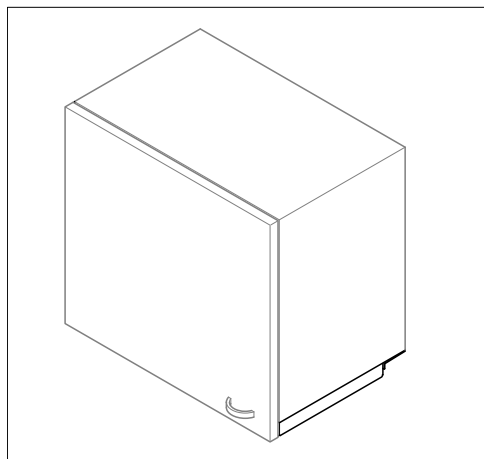
Some electrical and electronic appliances contain batteries and rechargeable batteries which, when depleted, must not be thrown away with your household waste. You are required by law to remove any removable batteries or rechargeable batteries and to dispose of them in a suitable recycling box for batteries. This service is free of charge. Batteries and rechargeable batteries contain substances which can damage human health and the environment.

Further instructions regarding disposal are given on batteries and rechargeable batteries. A bin with a line through it means that the battery or rechargeable battery must on no account be disposed of with your household waste. A bin with a line through it which also has one or several chemical symbols on it, indicates that the battery or rechargeable battery contains lead (Pb), cadmium (Cd) and/or quicksilver (Hg).

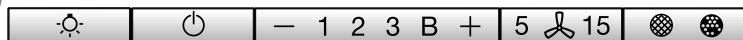
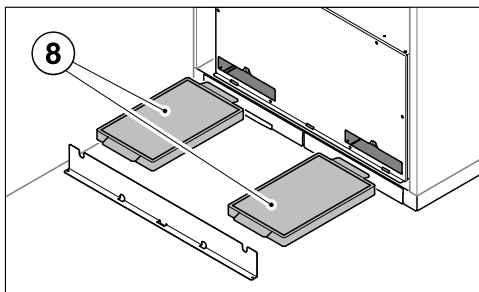
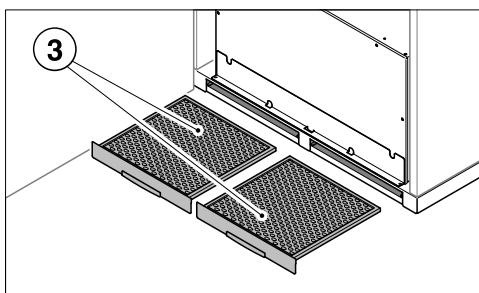
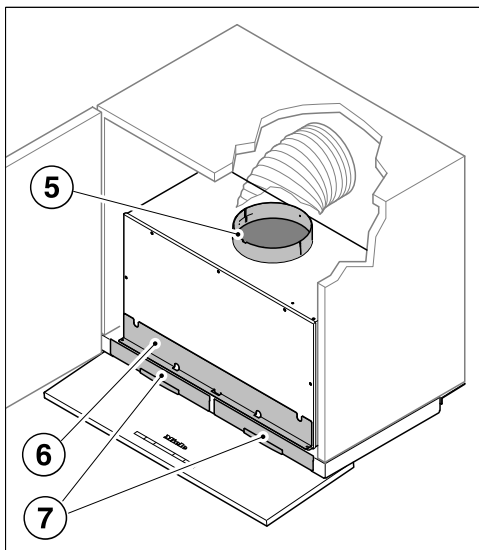
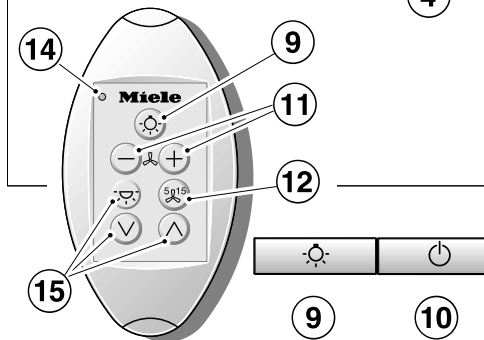
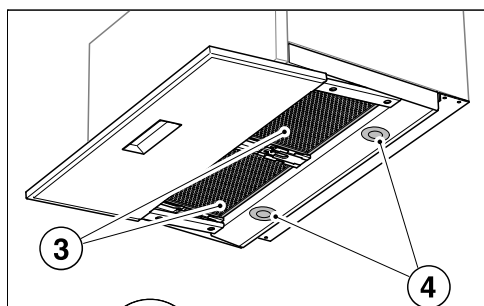
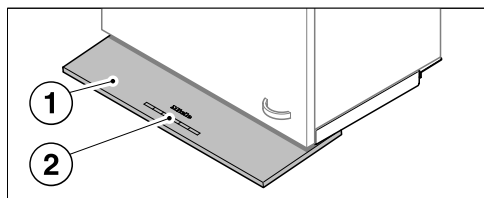


Old batteries and rechargeable batteries contain important raw materials which can be recycled. Disposing of batteries and rechargeable batteries separately makes them easier to handle and recycle.

# Guide to the appliance



dal3995



9

10

11

12

13

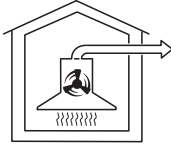
- ① Retractable deflector plate
- ② Controls
- ③ Grease filters
- ④ Hob lighting
- ⑤ Extraction ducting connection  
The extraction ducting connection can also be fitted at the back.
- ⑥ Slots for the charcoal filters
- ⑦ Slots for the grease filters
- ⑧ Charcoal filters  
Special accessories for recirculation mode
- ⑨ Control for switching the lighting on and off and for dimming the lighting
- ⑩ Control for the retractable deflector plate and the fan
- ⑪ Controls for setting the fan power level  
The controls on the remote control are also used to extend and retract the deflector plate and to switch the fan on and off.
- ⑫ Control for the run-on function
- ⑬ Control for the operating hours counter  
This control is used for displaying operating hours used and for altering the counter setting. See “Before using for the first time” for details on how to set the counter for Extraction mode or for Recirculation mode.
- ⑭ Indicator light
- ⑮ Controls for programming

# Modes of operation

---

Depending on the model of the cooker hood, the following options are available:

## Extraction mode



da100494a

The air is drawn in and cleaned by the grease filters and directed outside.

## Non-return flap

The non-return flap is designed to prevent the exchange of room and outside air taking place when the cooker hood is switched off.

The flap is closed when the cooker hood is switched off.

When the cooker hood is switched on, the non-return flap opens for the cooking vapours to be blown directly outside.

If the on-site ventilation system does not have a non-return flap, the non-return flap supplied must be fitted in the exhaust socket in the motor unit.

## Recirculation mode

Recirculation mode cooker hoods require a conversion kit and charcoal filters (see “Technical Data”)



da100494b

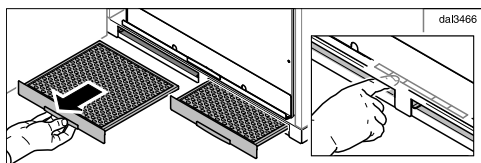
The air is drawn in and cleaned first by the grease filters and then by the charcoal filters. The cleaned air is then recirculated back into the kitchen.



## Before using for the first time

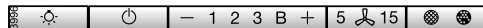
### Settings with the deflector plate retracted

The cooker hood must be switched off before activating settings. The deflector plate must be retracted. In order to reach the controls when the deflector plate is retracted please note the following:



- Remove the grease filters.



The controls are accessible via the slots for the grease filters.






### Select Extraction mode or Recirculation mode

The cooker hood is suitable for both extraction mode and recirculation mode. The power of the fan is adapted to suit the selected mode of operation. The cooker hood is set up ex-works for recirculation mode. It has to be re-set for extraction mode.

To re-set it for extraction mode the operating hours counter for the charcoal filter(s) has to be deactivated.

- Switch off the fan and the lighting.
- Press the + control and the operating hours control   at the same time.

The Charcoal filter symbol  and one of the fan power levels will flash.

- Press and hold the + control until the **B** indicator lights up.
- Confirm your choice with the operating hours control  .

All the indicator lights will go out.

Extraction mode has now been set.

If you don't confirm your selection within 4 minutes, the cooker hood will automatically revert to the original setting.

# Before using for the first time

## Setting up Miele@home

Pre-requisite:

- Home WiFi network

Your cooker hood is equipped with an integrated WiFi module. The cooker hood can be connected to the household WiFi network.

You will then be able to operate the cooker hood via the Miele@mobile app.

If your Miele hob is connected to a home WiFi network, you can control the cooker hood automatically via the Con@ctivity function.

Before installing the cooker hood in its final location, ensure that the signal of your WiFi network is strong enough.

Please note that you cannot set up a WiFi connection at the same time as a wireless connection (Con@ctivity 2.0, remote control).

## Signing off the remote control

The remote control must be signed off for integration into a WiFi network. The cooker hood can continue to be operated via its control panel.

- Sign off the remote control (see “Signing off the remote control”).

## Miele@mobile App

The Miele@mobile App is available to download free of charge from the Apple App Store® or from the Google Play Store™.



## Connecting via the app

The Miele@mobile app can be used to connect to your network.

- Install the Miele@mobile app on your mobile device.

To log in you will need:

1. Your WiFi network password
2. Your cooker hood password



The password for your cooker hood consists of the last nine digits of the serial number. This can be found on the appliance's data plate.

The data plate is located on the casing of the cooker hood and is visible when the cover for the charcoal filter slots is removed.

# Before using for the first time



da18312a

- Start signing the appliance on in the app. Follow the signing in instructions.


If requested to activate WiFi on the cooker hood, proceed as follows:

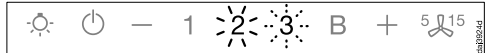
- Switch the cooker hood off.



- Press and hold the + control.



- Press the lighting control at the same time .



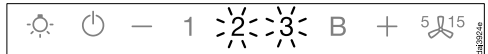
**2** will light up constantly, **3** will flash on and off.

The cooker hood is ready for connection in the next two minutes.




da18312a

- Follow the instructions in the app.



When successfully connected the **2** and **3** will light up constantly.



- Quit connection mode on the cooker hood by pressing the Run-on control .

The cooker hood can now be operated via the app.

# Before using for the first time

## Connecting via WPS


Your WiFi router must support WPS (WiFi Protected Setup).

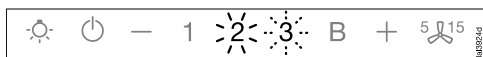
- Switch the cooker hood off.



- Press and hold the + control.

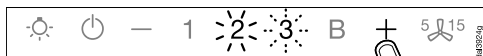


- Press the lighting control at the same time .

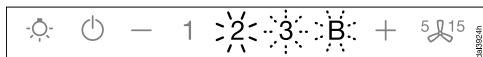


**2** will light up constantly, **3** will flash on and off.

The WiFi connection must be started on the cooker hood at the same time as on the WiFi router.



- Press the + control on the cooker hood after a few seconds.

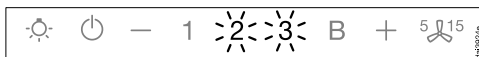


After a short while the **2** will light up constantly, and the **3** and the **B** will flash on and off.

The cooker hood is ready for connection in the next two minutes.




- Start the WiFi connection on your WiFi router.



When successfully connected the **2** and **3** will light up constantly.



- Quit connection mode on the cooker hood by pressing the Run-on control .

The cooker hood can now be operated via the app.

If the connection fails, you have probably not connected WPS on your router quickly enough. Repeat the steps above.

**Tip:** If your WiFi router does not support WPS, please connect via the Miele@mobile app.

# Before using for the first time

## Sign out of WiFi (reset to factory settings)

To set up a new WiFi connection, the existing WiFi connection must be disconnected.

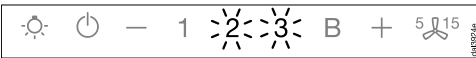
- Switch the cooker hood off.



- Press and hold the — control.



- Touch the lighting control at the same time ☀️.

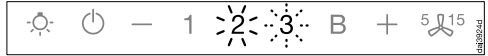


With an existing WiFi connection the **2** and the **3** will light up constantly.

The cooker hood is ready for disconnection in the next two minutes.



- Touch the — control.



**2** will light up constantly, **3** will flash on and off.



After a few seconds the **2** and the **3** will flash on and off. The connection has now been disconnected.



- Quit disconnection mode on the cooker hood by pressing the Run-on control 5 15.

The WiFi connection has now been disconnected. A new connection can now be set up.

# Before using for the first time

---

## Setting up Con@ctivity

Con@ctivity is the direct communication system between an electric Miele hob and a Miele cooker hood. It enables the cooker hood to operate automatically depending on the operational state of a Miele hob with onset controls.

- When the hob is switched on, the cooker hood lighting comes on automatically and then after a short time the fan also comes on.
- The cooker hood selects the power level automatically during cooking. The power level selected by the cooker hood depends on the number of cooking zones being used and their power levels.
- After switching the hob off the fan and the hob lighting will switch off automatically after a specified period of time.

See “Operation” for detailed information about this function.

This cooker hood can be operated with the Con@ctivity function via a WiFi connection (Con@ctivity 3.0) or via a wireless connection (Con@ctivity 2.0).

Once the WiFi connection has been established (Con@ctivity 3.0), the remote control can no longer be used. The cooker hood can continue to be operated via its control panel.

Once the connection has been established via the home WiFi network, the cooker hood can be controlled remotely with the Miele@mobile app.

### Con@ctivity via the home WiFi network (Con@ctivity 3.0)

Prerequisite:

- Home WiFi network
- WiFi enabled Miele hob

- Connect the cooker hood and hob to your home WiFi network (see “Setting up Miele@home”).

The Con@ctivity function will be activated automatically.

## Before using for the first time

### Con@ctivity via a direct WiFi connection (Con@ctivity 3.0)

Prerequisite:

- WiFi enabled Miele hob

If you do not have a home network, you can establish a direct connection between the hob and the cooker hood.

See the Hob instruction manual for details on how to connect them.

Instructions on how to connect the cooker hood are repeated in detail below.

- Sign off the remote control (see “Signing off the remote control”).

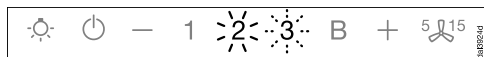
- Switch the cooker hood off.



- Press and hold the + control.



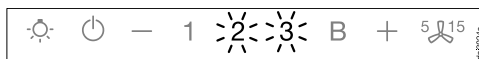
- Press the – control at the same time.



2 will light up constantly, 3 will flash on and off.

The cooker hood is ready for connection in the next two minutes.

- Start WiFi connection on the hob. For further details, see the hob operating instructions.



When successfully connected the 2 and 3 will light up constantly.



- Quit connection mode on the cooker hood by pressing the Run-on control 5/15.

Con@ctivity has now been activated.

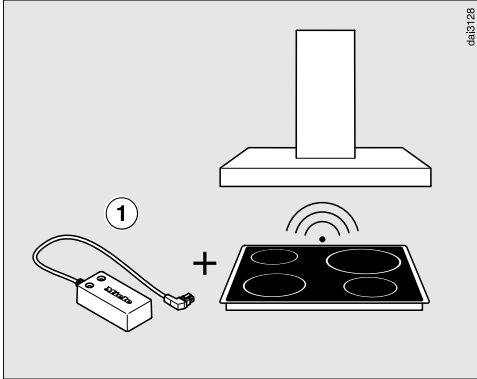
With a direct WiFi connection, it is not possible to connect the hob and the cooker hood to a home network. Should this be required at a later date, the WiFi connection between the hob and the cooker hood must be disconnected (see “Sign out of WiFi”).

# Before using for the first time

## Con@ctivity with direct wireless connection (Con@ctivity 2.0)

Prerequisite:

- Con@ctivity 2.0 enabled Miele hob



This cooker hood is supplied with a Con@ctivity 2.0 wireless stick ①.

The wireless stick can only be used with hobs that are fitted with a slot for the wireless stick to operate the Con@ctivity function.

- Check the installation instructions for the Con@ctivity 2.0 stick to ensure that it is compatible with your hob.

Please note that you cannot set up a WiFi connection at the same time as a wireless connection (Con@ctivity 2.0, remote control).

## Installing the Con@ctivity 2.0 stick

- See the relevant installation instructions provided with the Con@ctivity 2.0 stick.

## Activating the wireless connection

The cooker hood and the hob must be installed and operational.

Wireless connection must be activated on the cooker hood and the hob at the same time. Activation on the cooker hood is described below.

Activation on the hob is described in the relevant operating and installation instructions. Please refer to the operating instructions before starting. Activate the cooker hood first, then the hob.



# Before using for the first time

## Activating the cooker hood

- The hob and cooker hood must be switched off.



- Press the run-on control <sup>5</sup>1<sup>15</sup> for approx. 10 seconds until **1** lights up.
- Then press in turn:



- the - control,

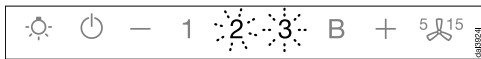


- then the + control,



- then the lighting control .

The cooker hood is now in signing on/off mode.

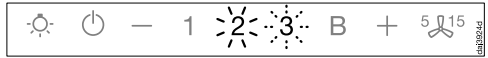


If a wireless connection has not yet been established, **2** and **3** will flash at the same time.

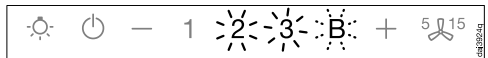
If a wireless connection has already been established, **2** and **3** will light up constantly (Con@ctivity 2.0 is already activated or a remote control is signed on).



- To activate Con@ctivity 2.0 press the + control.



- 2** will light up constantly, **3** will flash on and off.



After a few seconds **2** and **3** will light up constantly, **B** will flash on and off.

The search for a wireless connection will start.

## Activating the hob

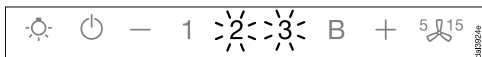


- **While** the cooker hood is searching for a signal, start activating the hob. For further details, see the hob operating instructions.

- When the hob registers that a link has been established, exit activation on the hob.

# Before using for the first time

## Finish activation on the cooker hood



When successfully connected the **B** will go out, and the **2** and **3** will light up constantly.



- Confirm activation with the run-on control <sup>5</sup>⏻<sup>15</sup>. All the indicator lights will go out.

The Con@ctivity 2.0 function is now ready for use.

If confirmation is not carried out within 4 minutes, activation will not take place.

Activation only takes place once. If appliances are disconnected from the mains, for example during a power cut, the activation process does not need to be repeated.

## Activation failed

If the wireless connection cannot be established despite activating the cooker hood and the hob, both appliances must first be deactivated and then re-activated.

## Deactivating wireless connection

- The hob and cooker hood must be switched off.



- Press the run-on control <sup>5</sup>⏻<sup>15</sup> for approx. 10 seconds until **1** lights up.
- Then press in turn:



- the **-** control,

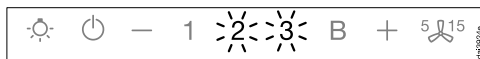


- then the **+** control,



- then the lighting control

The cooker hood is now in signing on/off mode.

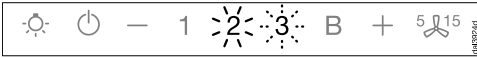


If a wireless connection has already been established, **2** and **3** will light up constantly.

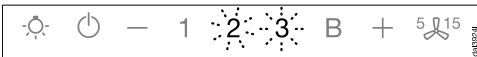
# Before using for the first time



- Press the — control to deactivate Con@ctivity 2.0.



**2** will light up constantly, **3** will flash on and off.



After a few seconds **2** and **3** will start flashing on and off.

The wireless connection has now been deactivated.

- To deactivate the hob, see the hob operating instructions.

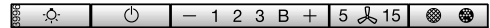
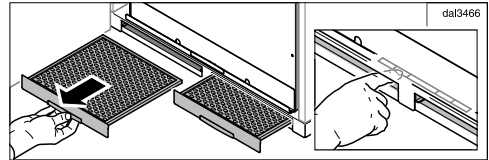
Note that disabling the wireless connection will also deactivate any remote control function and this will have to be activated again.

## Signing the remote control on/off

If the connection has been lost between the remote control and the cooker hood, the remote control and the remote control function on the cooker hood must be signed on again. To do this remote control on the cooker hood and the remote control must first be signed off.

Note that disabling the signal will also deactivate any Con@ctivity 2.0 function and this will have to be activated again.

- Switch the cooker hood off. The deflector plate must be retracted.



- Remove the grease filters.

The controls are accessible via the slots for the grease filters.

## Before using for the first time

---

### Signing off the remote control

■ Press the run-on control  $5 \text{ } \text{⏻}^{15}$  on the cooker hood for approx. 10 seconds until **1** lights up.

■ Then press in turn:

- the – control,
- then the + control,
- then the lighting control  $\text{⏻}$ ,
- then the – control to sign off.

**2** will light up constantly, **3** will flash on and off.

After a few seconds **2** and **3** will start flashing on and off.

■ Confirm the signing off procedure on the cooker hood by pressing the  $5 \text{ } \text{⏻}^{15}$  run-on control. All the indicator lights will go out.

■ Press the  $\text{∨}$  and  $\text{∧}$  controls on the remote control at the same time for about 5 seconds until the LED on the remote control starts flashing.

■ Then press in turn:

- the lighting control  $\text{⏻}$ ,
- then the – control to sign off.

The remote control LED flashes regularly.

After approx. 10 seconds, the remote control LED flashes on and off twice with a longer gap between the flashes. The LED will go out after a short while.

The remote control is now signed off.

### Signing on the remote control

A WiFi connection cannot be used at the same time as the remote control.

■ To use the remote control, you must sign out of the WiFi connection (see “Signing out of WiFi”).

■ To sign in the remote control, press the run-on control  $5 \text{ } \text{⏻}^{15}$  on the cooker hood for approx. 10 seconds until **1** lights up.

■ Then press in turn:

- the – control,
- then the + control,
- then the lighting control  $\text{⏻}$ ,
- then the + control to sign in.

**2** will light up constantly, **3** will flash on and off.

After a few seconds **2** and **3** will light up constantly, **B** will flash on and off.

■ Press the  $\text{∨}$  and  $\text{∧}$  buttons on the remote control at the same time for about 5 seconds until the LED on the remote control starts flashing.

■ Then press in turn:

- the lighting control  $\text{⏻}$ ,
- then the + control to sign in.

The search for a wireless connection will start. The remote control LED flashes regularly.

After approx. 30 seconds, the remote control LED flashes on and off four times with short intervals between the flashes. The LED will go out after a short while.

Wait until **B** on the cooker hood has gone out and **2** and **3** are lit up constantly. The wireless connection has now been established.

- Confirm the signing on procedure by pressing the run-on control <sup>5</sup>⏻<sup>15</sup> on the cooker hood. All the indicator lights will go out.

The remote control can now be used.

If confirmation is not carried out within 4 minutes, activation will not take place.

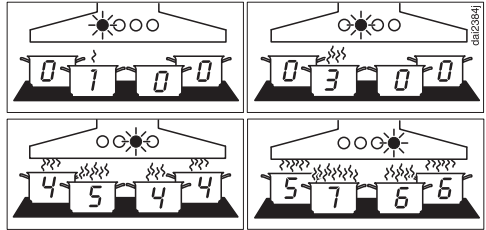
### **To cancel the signing on procedure**

- If it is not possible to sign on, the procedure can be cancelled by pressing the <sup>5</sup>⏻<sup>15</sup> run-on control on the cooker hood and on the remote control.
- The signing-on procedure must then be repeated. To do this the cooker hood and the remote control must first be signed off.

# Operation (Automatic mode)

When Con@ctivity is active, the cooker hood always operates in Automatic mode (see “Setting up Con@ctivity”).

If you wish to manually operate the cooker hood, see "Cooking without Con@ctivity.



Examples for power levels 1 to B

## Cooking with Con@ctivity (Automatic mode)

- Switch a cooking zone on at the power level you want.

The hob lighting will come on.

After a few seconds the fan will come on, first at power level 2, then it will switch immediately to power level 1. The deflector plate will come out.

The cooker hood selects the power level automatically during cooking.

This is determined by the total output of the hob, i.e, the number of cooking zones in operation and the power levels selected.

- If you select a higher power level or are using several cooking zones, the cooker hood will switch to a higher power level.
- When you reduce the power level or the number of cooking zones on the hob, the cooker hood power level is also reduced.

## Reaction time

The cooker hood reacts with a slight delay because altering the power level on the hob does not immediately result in a reduction or increase in cooking vapours.

Because the hob transmits the information to the cooker hood at intervals, this can also cause delays.

The reaction can vary from a few seconds to a couple of minutes.

### Cooking process

- If for example you switch on a cooking zone at the highest power level to heat a pan for frying and reduce the power level after approx. 10 seconds to 4 minutes \*, a cooking process is recognised. (\*60 seconds to 5 minutes for a HiLight hob.)

The cooker hood switches itself on and when the hob power level has been reduced, the hood switches to power level 3 and remains at that level for approx. 5 minutes.

After that the cooker hood power level is determined automatically by the Con@ctivity function.

- You can select another power level manually before then.

### Switching off

- Switch off all cooking zones.

The cooker hood fan will reduce its power level in stages over the next few minutes and will then switch itself off.

This helps to neutralise any lingering vapours and odours in the air.

- From the Booster setting, the fan switches immediately to Level 3.
- From Level 3, it will switch to Level 2 after approx. 1 minute.
- From Level 2, it will switch to Level 1 after 2 minutes.
- After 2 minutes at Level 1 the fan switches itself off. The deflector plate retracts.
- After another 30 seconds the lighting switches off.


The cooking process is then finished.

# Operation (Automatic mode)

---

## Leaving automatic mode temporarily

To leave automatic mode temporarily during cooking:

- manually select a different power level, or
- manually switch the cooker hood off, or
- activate the run-on function  on the cooker hood. The fan will switch itself off after the selected run-on time, the deflector plate will retract and the lighting will remain on.

The cooker hood functions can now be operated manually (see “Cooking without Con@ctivity”).

## Returning to automatic mode

The cooker hood will resume automatic mode:

- if the cooker hood has not been used for approx. 5 minutes after selecting a power level manually, or
- if the manually selected fan power level corresponds to the automatic one again, or
- the cooker hood fan and the hob have been switched off for at least 30 seconds.

Automatic mode will resume next time the hob is switched on.

You can also operate the cooker hood manually for a complete cooking process.

- To do so switch the cooker hood fan on **before** the hob.  
If the cooker hood fan and the hob have been switched off for at least 30 seconds after cooking, automatic mode will resume next time the hob is switched on.



## Cooking without Con@ctivity (Manual mode)

The cooker hood can be operated manually if:

- the Con@ctivity function is not activated.
- you have temporarily deactivated the Con@ctivity function (see “Temporarily exiting Automatic mode”).

## Remote control

The main functions can be selected via the cooker hood or by remote control. The LED light on the remote control unit will light up briefly when a function is selected by remote control.

The maximum operating range of the remote control is approx. 10 m. However, this may be less depending on the physical conditions present in the room (e.g. furniture, walls).

The rear of the remote control unit is magnetic which allows it to be attached to various metal surfaces.

The remote control cannot be used once a WiFi connection has been set up. The cooker hood can continue to be operated via its control panel.

Once the connection has been established via the home WiFi network, the cooker hood can be operated via the Miele@mobile app.

## Extending the deflector plate, switching the fan on

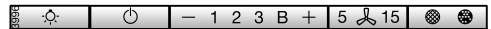
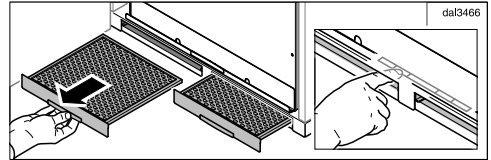
Switch the fan on as soon as you start cooking. This is to ensure that vapours are captured right from the start.

- Press the + button on the remote control.

The deflector plate extends. The fan will switch on at setting **2** and the ⏻ symbol and **2** will light up in the power setting display.

## Switching on without remote control

The deflector plate can also be operated without the remote control, e.g. if the remote control has been misplaced or the battery is flat.



- Remove the left-hand grease filter.

The controls can now be accessed through the grease filter slot.

- Press the On/Off control ⏻.

The deflector plate extends. The fan will come on at power level **2**.

- Replace the grease filter.

# Operation (Manual mode)

---

## Selecting the power level

For light to heavy cooking vapours and odours, select from power levels **1** to **3**.

For short periods of cooking food with intensive vapours and a strong aroma, e.g. when searing meat, select Booster setting **B**.

- Select the power level you want by pressing the – or + control.

## Reducing power down from the Booster setting




If power management is activated (default setting), the fan automatically switches back to level **3** after 5 minutes.

## Selecting the run-on time


It is advisable to run the fan for a few minutes after cooking has finished. This helps to remove any lingering vapours and odours from the air.

It also reduces the risk of residues accumulating in the cooker hood and any resultant odours.

The run-on function enables the fan to continue running for a pre-determined time before switching itself off automatically.

- After you have finished cooking, press the run-on control  while the fan is still running:
  - Once: the fan will switch itself off after 5 minutes and the deflector plate will go back in (**5** lights up).
  - Twice: the fan will switch itself off after 15 minutes and the deflector plate will go back in (**15** lights up).
  - If you touch the run-on option control  again, the fan will remain on ( will go out).

## Switching the fan off

- Press the On/Off control  on the cooker hood or the — control on the remote control repeatedly until the fan switches off.

The fan switches off and the deflector plate retracts.


If the cooker hood is switched on again whilst the deflector plate is going in, the deflector plate will come back out again and then may retract again slightly.

- If this happens you must switch the cooker hood off and wait until the deflector plate has completely retracted.

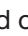

The next time you switch the cooker hood on the deflector plate will come back out again correctly.

## Dimming/switching the hob lighting on/off

The hob lighting can be switched on and off and dimmed regardless of whether the deflector plate is extended or retracted.

- Press the lighting control  briefly to switch it on or off.

The lighting will switch on at maximum brightness.

- With the lighting switched on, press and hold the lighting control . The brightness will gradually dim until you release the control.
- Press and hold the lighting  control again to increase the brightness to the level required and then release it.

## Power management

The cooker hood is fitted with a Power management system. Power management helps to save energy. The fan power level is reduced automatically. It is used for switching off the lighting, reducing the fan power level and retracting the canopy automatically when the hood is no longer being used.

- If the Booster setting has been selected, the fan will automatically switch to level 3 after 5 minutes.
- If the cooker hood is switched on but has not been used for 2 hours, the power will be reduced by one level at a time in 30 minute stages until the fan finally switches off. The deflector plate retracts.
- The hob lighting will switch off automatically after 12 hours.

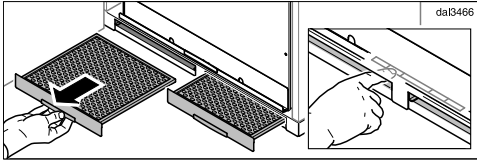
You can deactivate Power management.

This can however result in increased electricity consumption.

# Operation (Manual mode)

## Switching Power management on/off


- Switch the cooker hood off. The deflector plate must be retracted.





If you don't confirm your selection within 4 minutes, the cooker hood will automatically revert to the original setting.

- Remove the grease filters.

The controls are accessible via the slots for the grease filters.

- Press the fan run-on control  for approx. 10 seconds until the indicator for power level **1** lights up.

- Then press in turn:

- the lighting control ,
- the **–** control, and then
- the lighting control .

If Power management is switched on, the **1** and **B** indicators light up constantly.


When it is switched off, the **1** and **B** indicators flash.

- Press the **–** control to turn Power management off.

The **1** and **B** indicators will flash.

- Press the **+** control to switch it on.

The **1** and **B** indicators will light up constantly.


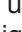
- Confirm the setting with the run-on option control .

All the indicator lights will go out.

# Operation (Automatic and Manual modes)

## Operating hours counter

The cooker hood registers the length of time it has been operated.

When the grease filter symbol  or the charcoal filter symbol  lights up, the operating hours counters are signalling that the filters need to be cleaned or changed. Further information about cleaning and replacing the filters and resetting the operating hours counter can be found under “Cleaning and care”.

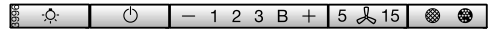
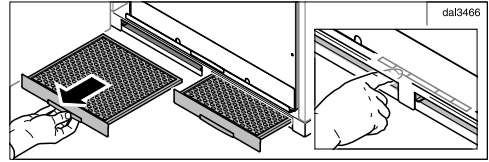
## Altering the operating hours counter for the grease filter(s)

You can set the operating hours counter to suit the type of cooking you do.

It is set at the factory for 30 hours.


- Select a shorter time of 20 hours if you fry a lot.
- If you only cook occasionally, we recommend that you still select a short time. This is to prevent grease hardening on the filter(s) and making cleaning more difficult
- Select a longer time of 40 or 50 hours if you use very little fat for cooking.


- Switch the cooker hood off. The deflector plate must be retracted.



- Remove the grease filters.


The controls are accessible via the slots for the grease filters.

- Press the run-on <sup>5</sup> 15 control and the operating hours control  at the same time.

The Grease filter symbol  and one of the fan power level indicators will flash.

Fan power level indicators **1** to **B** show the time set:

<b>1</b> .....	20 hours
<b>2</b> .....	30 hours
<b>3</b> .....	40 hours
<b>B</b> .....	50 hours

- Press the — control for a shorter duration, or + for a longer duration.
- Confirm your choice with the operating hours control .

All the indicator lights will go out.

If you don't confirm your selection within 4 minutes, the cooker hood will automatically revert to the original setting.

## Operation (Automatic and Manual modes)

### Altering or deactivating the charcoal filter operating hours counter

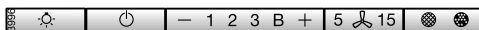
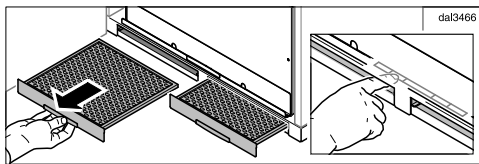
Charcoal filters are needed for recirculation mode.

You can set the operating hours counter to suit the type of cooking you do.

It has to be deactivated for extraction mode.

It is set at the factory for 180 hours of use before they need to be replaced.

- Switch the cooker hood off. The deflector plate must be retracted.



- Remove the grease filters.

The controls are accessible via the slots for the grease filters.

- Press the + control and the operating hours control (two globe icons) at the same time.

The charcoal filter symbol (globe icon) and one of the fan power levels will flash.

Fan power level indicators **1** to **B** show the time set:

Indicator <b>1</b> .....	120 hours
Indicator <b>2</b> .....	180 hours
Indicator <b>3</b> .....	240 hours
Indicator <b>B</b> .....	deactivated

- Select the duration you want with the + or - control.
- Confirm your choice with the operating hours control (two globe icons).

All the indicator lights will go out.






If you do not confirm your selection within 4 minutes, the cooker hood will automatically revert to the original setting.

# Operation (Automatic and Manual modes)

---

## Reading the filter operating hours counter

You can check the percentage of time set already used before the filter needs replacing.

- Switch the fan on with the On/Off control .
- Press and hold the operating hours control  :
  - Once, to read the grease filter operating hours. The grease filter symbol  lights up.
  - Twice, to read the charcoal filter operating hours. The Charcoal filter symbol  lights up.

One or more of the power level indicators will flash.

The number of fan power level indicators flashing shows the percentage of the operating time which has already been used up.

<b>1</b> .....	25 %
<b>1 and 2</b> .....	50 %
<b>1 to 3</b> .....	75 %
<b>1 to B</b> .....	100 %

The number of operating hours used remains in the memory, even when the appliance is switched off or there is a power cut.


## Energy saving tips

---

This cooker hood operates very efficiently and economically. The following will help you to save even more energy when using it:


- Ensure that there is sufficient ventilation in the kitchen when cooking. In extraction mode, if there is insufficient air flow the cooker hood cannot operate efficiently and this causes increased operating noise levels.
- Always cook with the lowest possible setting. This produces fewer cooking vapours, so you can use a lower cooker hood power level and therefore benefit from reduced energy consumption.
- Clean or change the filters at regular intervals. Heavily soiled filters reduce performance, increase the risk of fire and are unhygienic.
- Use the Con@ctivity function. The cooker hood will switch on and off automatically at the optimum power level for the cooking you are doing, which ensures low energy consumption.
- If you are operating the cooker hood manually, please note the following:
  - Check the power level selected on the cooker hood. A low power level is usually sufficient. Only use the Booster setting when necessary.
  - When a large volume of cooking vapours are being produced, switch to a high power level in good time. This is more efficient than operating the cooker hood for longer to try to capture cooking vapours which have already been distributed throughout the kitchen.
  - Make sure that you switch the cooker hood off after use. If cooking vapours and odours still need to be removed from the kitchen air after cooking, use the run-on function. The fan will switch off automatically after the selected run-on time.



 Before proceeding with any maintenance or cleaning task, the cooker hood must be disconnected from the power supply, see “Warning and safety instructions”.


## Housing

### General information

 The surfaces and controls are susceptible to scratches and abrasion.

Please observe the following cleaning instructions.

- All external surfaces and controls can be cleaned using hot water with a small amount of washing-up liquid applied with a well wrung-out soft sponge or cloth.

 Make sure that water does not get into the cooker hood. Only clean the area of the controls with a damp cloth.

- Then wipe the surfaces dry using a soft cloth.

Do not use:

- cleaning agents containing soda, acids, chlorides or solvents,
- abrasive cleaning agents, e.g. powder cleaners or cream cleaners and abrasive sponges, as well as pot scourers or sponges which have been used previously with abrasive cleaning agents.

### Important for appliances with stainless steel surfaces

(This information does not apply to the controls).

- Stainless steel surfaces can be cleaned with a proprietary non-abrasive cleaning agent designed specifically for use on stainless steel.
- To help prevent re-soiling, a proprietary conditioning agent for stainless steel (available from Miele) can also be used. Apply sparingly with a soft cloth.

### Important for the controls

Do not leave soiling on the controls for any length of time. Otherwise they may suffer discolouration or damage. Remove soiling straight away.

- Please observe the general notes on cleaning earlier in this section.

Do not use stainless steel cleaning agents on the controls.

# Cleaning and care

## Grease filters

**⚠ Fire hazard!**

Oversaturated grease filters are a fire hazard.

Clean the grease filters at regular intervals.


The re-usable metal grease filters in the appliance remove solid particles (grease, dust, etc.) from the kitchen vapours, preventing soiling of the cooker hood.

The grease filters must be cleaned at regular intervals.

Heavily soiled grease filters hinder air extraction and will lead to increased levels of soiling in the cooker hood and in the kitchen.

## Cleaning interval

Accumulated grease solidifies over a longer period of time and makes cleaning more difficult. The grease filters should therefore be cleaned every 3 to 4 weeks.

The filter operating hours control reminds you to regularly clean the grease filters by illuminating the grease filter symbol .

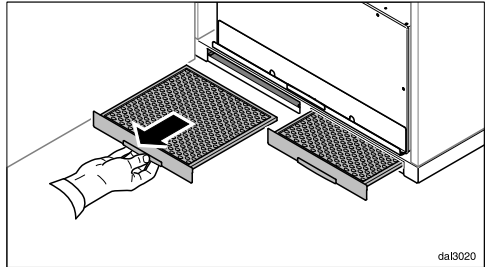
- You can set the operating hours counter interval to suit the type of cooking you do (see “Operation”).

## Removing a grease filter

**⚠** When handling a grease filter, be careful not to drop it.

This can result in damage to the filter and the hob below.

Make sure you hold the filter securely at all times when handling it.



- Remove the grease filters from the slots on the front of the housing

## Cleaning the grease filters by hand

- Clean the filters with a soft nylon brush in a mild solution of hot water and a small amount of washing-up liquid. Do not use “neat” washing up liquid.

## Unsuitable cleaning agents

Unsuitable cleaning agents can cause damage to the surface of the filters if used regularly.

Do not use:

- cleaning agents containing descaling agents
- powder cleaners, cream cleaners
- aggressive multi-purpose cleaning agents or spray cleaners for grease
- oven sprays

## Cleaning the grease filters in the dishwasher

- Place the grease filters upright or slightly inclined in the lower basket. Ensure the spray arm is not obstructed.
- Use a commercially available household dishwasher detergent.
- Select a dishwasher programme with a wash temperature between 50 °C and 65 °C.


Depending on the detergent used, cleaning the filters in a dishwasher may cause the inside filter surfaces to become discoloured. This will not affect the functioning of the grease filters in any way.

## After cleaning

- After cleaning, leave the filters to dry on an absorbent surface before replacing them.
- When removing the filters for cleaning, also clean off any residues of oil or fat from the now accessible housing to prevent the risk of these catching fire.
- Refit the grease filters.


## Resetting the grease filter operating hours counter

After cleaning, the operating hours counter needs to be re-set.

- Whilst the fan is switched on, press the operating hours control  for approx. 3 seconds, until only the **1** is flashing.

The Grease filter symbol  goes out.

If you want to clean the grease filters before the operating hours counter has reached its maximum:

- Press the operating hours control  for approx. 6 seconds, until only the **1** is flashing.

# Cleaning and care

## Charcoal filters

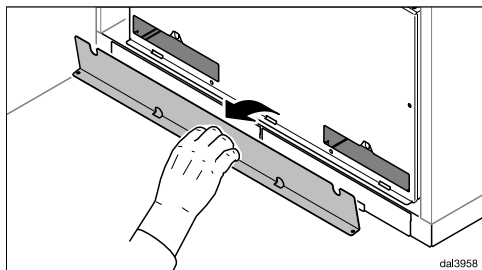
With recirculation mode, two charcoal filters must be fitted in addition to the grease filters. These are designed to absorb cooking odours.

Charcoal filters are available to order via the Miele Webshop, the Miele Spare Parts Department (see end of this booklet for contact details) or from your Miele dealer.

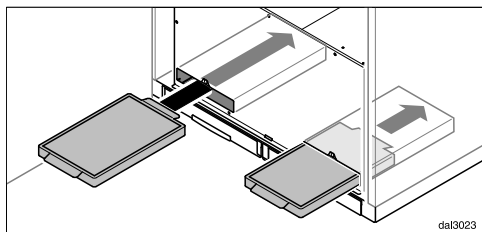
The type of charcoal filter required is listed under “Technical data” at the back of this booklet.

### Fitting/replacing charcoal filters

The slots for the charcoal filters are located above the grease filters.




- Remove the cover. It is held in position by magnets.
- Take the charcoal filters out of their packaging.



- Insert the charcoal filters in the slots.
- Replace the cover.


## When to change the charcoal filters


- Replace the charcoal filters when they no longer absorb kitchen odours effectively.  
They should, however, be replaced at least every 6 months.

The operating hours counter will remind you to replace the charcoal filters by lighting up the charcoal filter symbol .


### Resetting the charcoal filter operating hours counter

After changing the charcoal filters, the operating hours counter needs to be reset.

- To do this, with the fan switched on, press the operating hours control  twice, then hold it for approx. 3 seconds until only the **1** is flashing.

The Charcoal filter symbol  will go out.

If you want to replace the charcoal filters **before** the operating hours counter has reached its maximum:

- Press the operating hours control  twice and hold it for approx. 6 seconds until only the **1** is flashing.

### Disposing of charcoal filters

- Used charcoal filters can be disposed of with the normal household waste.

## Remote control

### Cleaning the remote control

- Only clean the surface with a damp cloth. Do not use too much water to avoid moisture penetrating the casing.

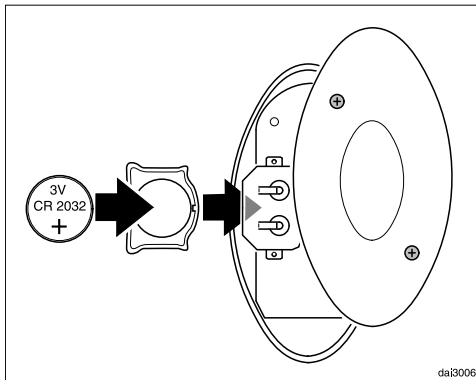
### Changing the battery

Use only the type of battery listed.  
Do not use rechargeable batteries.

The remote control requires one 3 V CR 2032 battery.

The battery must be changed if cooker hood functions can no longer be selected using the remote control. If the control lamp on the remote control no longer lights up or lights up only weakly when a button is pressed, the battery is exhausted.

Cooker hood functions can still be selected using the controls on the cooker hood.

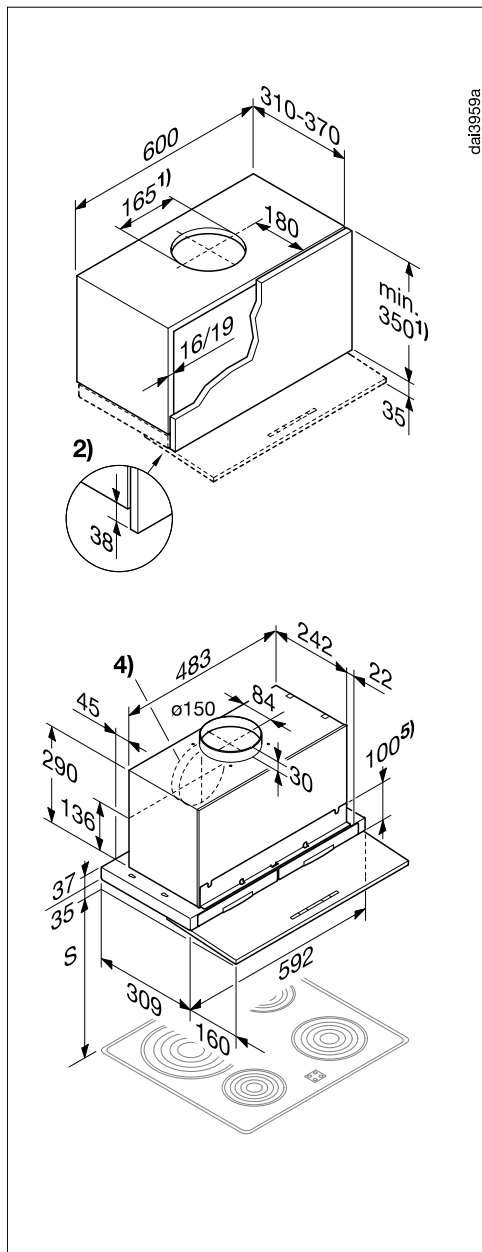


- Use a screwdriver to loosen the two screws on the back and remove the cover.

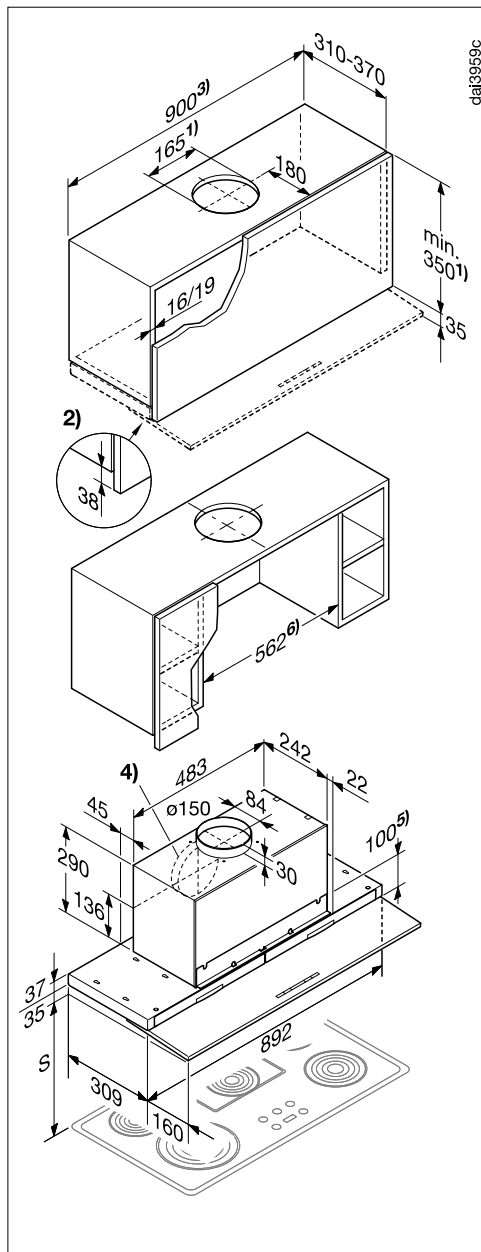
- Remove the old battery and replace with a new one. Make sure the polarity is correct.
- Refit the cover and secure with the two screws.

# Installation

## Appliance dimensions



DA 3668



DA 3698

- ① Extraction, recirculation with conversion kit DUU 150.
- ② The wall unit carcass needs to be 38 mm shorter than the wall unit door.
- ③ Installation is also possible in a 600 mm wide cabinet. The following should be noted:
  - The adjoining units must also be shortened by 38 mm.
  - The doors of the housing unit and of adjoining units must open upwards so that the grease filters are accessible.
- ④ Alternative ducting connection at the back.
- ⑤ Wall unit can be fitted with partition wall after installation. Slots for the grease filters, and with recirculation mode for the charcoal filters, must remain accessible.
- ⑥ Alternatively the wall unit can be fitted with side sections.

The height of the wall unit and cut-out dimensions must take account of any accessories fitted, e.g. silencer, DSM module.

# Installation

## Safety distance between hob and cooker hood (S)

When planning the installation height of your cooker hood, the minimum safety distance between the top of a cooker or hob and the bottom of the cooker hood is as follows, unless a greater distance is specified by the manufacturer of your cooking appliance.

See “Warning and Safety” instructions for further information.


Cooking appliance	Minimum distance S
Electric hob	450 mm
Electric grill, deep fat fryer (electric)	650 mm
Multi-burner gas hob, total output $\leq 12.6$ kW, no burner $> 4.5$ kW	650 mm
Multi-burner gas hob, total output $> 12.6$ kW and $\leq 21.6$ kW, no burner $> 4.8$ kW.	760 mm
Multi-burner gas hob, total output $> 21.6$ kW, or multi-burner gas hob where one burner $> 4.8$ kW.	Not possible
Single burner gas hob, output $\leq 6$ kW.	650 mm
Single burner gas hob, output $> 6$ kW and $\leq 8.1$ kW.	760 mm
Single burner gas hob, output $> 8.1$ kW	Not possible



## Installation recommendations

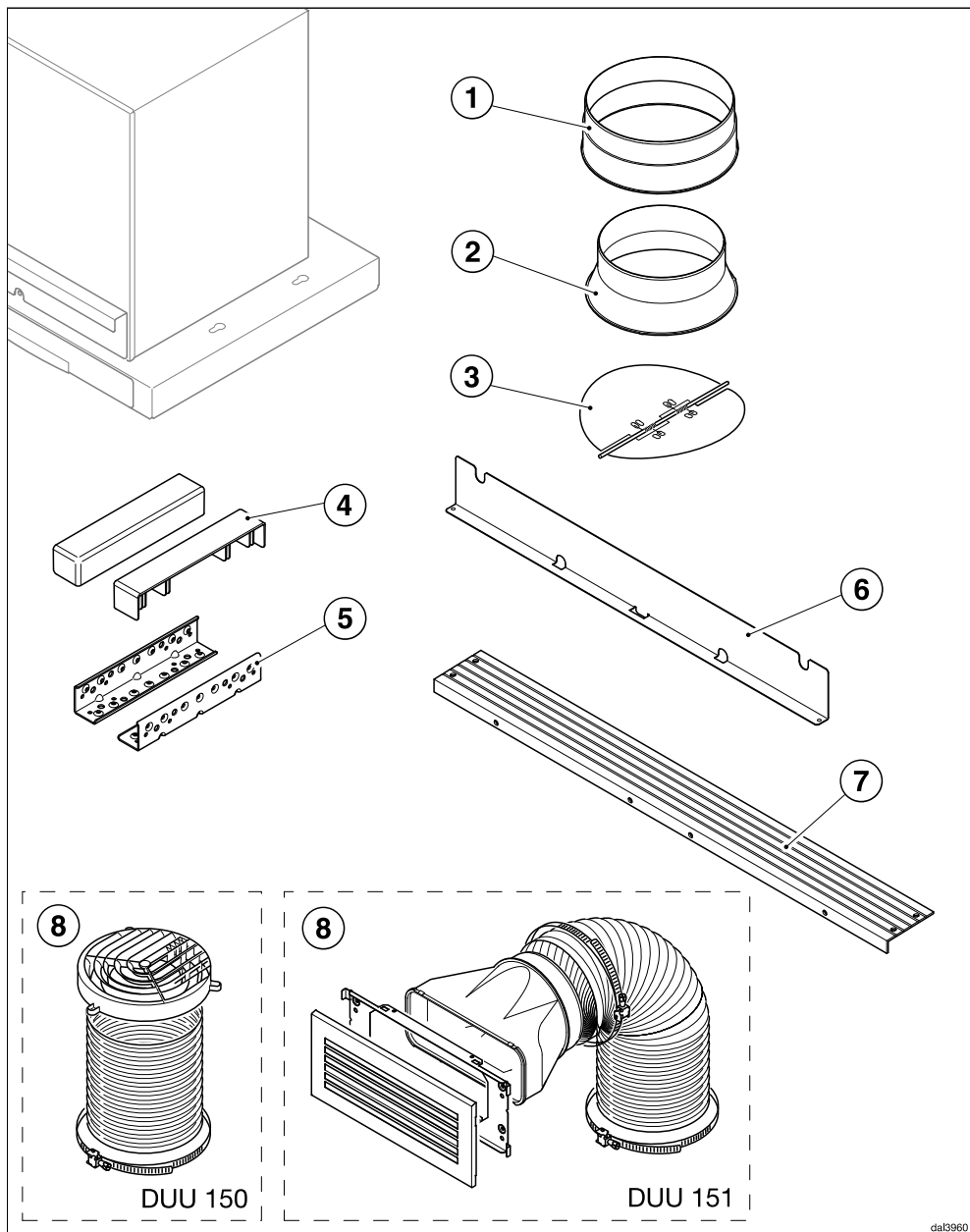
- To achieve optimum vapour extraction, the cooker hood must be positioned centrally over the hob, not to the side.
- The hob should be no wider than the cooker hood, and if possible, it should be narrower.
- The installation area must be easily accessible. The cooker hood should be easily accessible and easy to dismantle in the event that service is required. This should be taken into consideration when planning the position of cupboards, shelves, ceilings or features in the vicinity of the cooker hood.

## Before installation

 Before installation, it is important to read the information given on the following pages as well as the “Warning and Safety instructions” at the beginning of this booklet.

# Installation

## Assembly parts



dal3960

- ① **1 collar** for exhaust ducting  
Ø 150 mm.
- ② **1 reducing collar** for exhaust ducting Ø 125 mm.
- ③ **1 non-return flap** for fitting into the exhaust socket on the motor unit (not needed for recirculation mode)
- ④ **2 covers** for the brackets.
- ⑤ **2 brackets** to support the appliance in the wall unit.
- ⑥ **1 cover** for the charcoal filter slots.
- ⑦ **1 spacer strip** to conceal the gap between the rear of the appliance and the wall.
- ⑧ **Conversion kit for recirculation mode** (the conversion kit is not supplied and must be ordered separately; see “Technical data”). The kit contains an exhaust grille and aluminium hose with hose clips.



**12 screws 4 x 15 mm** for securing the cooker hood into the wall unit.

01056271



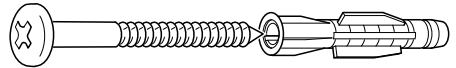
**4 screws M4 x 16 mm** for securing the cooker hood to the brackets and for securing the spacer strip.

07602740



**4 screws M4 x 8 mm** for securing the spacer strip.

060905672



**2 screws 4 x 40 mm,**  
**2 plugs 6 x 36 mm** for securing the cooker hood to the wall (only when fitting into a 900 mm wide wall unit).

56610048450



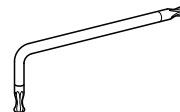
**4 screws 4 x 25 mm** for securing a 900 mm wide cooker hood.

07203680



**4 adhesive covers** to conceal the fixing holes which are not required.

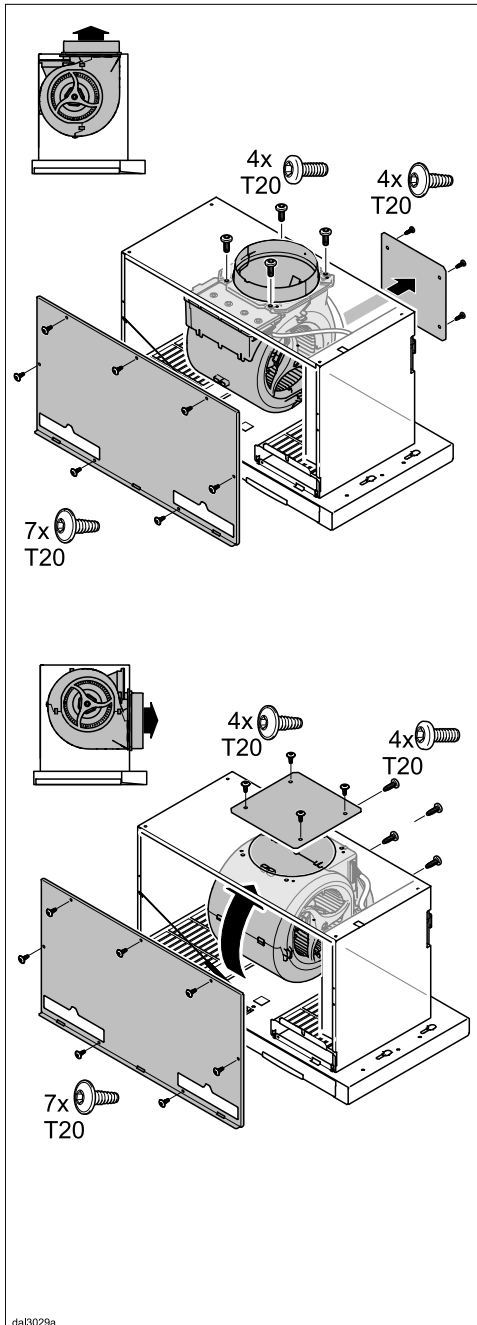
08161800



**1 x T 20 angled key**

06276500

# Installation

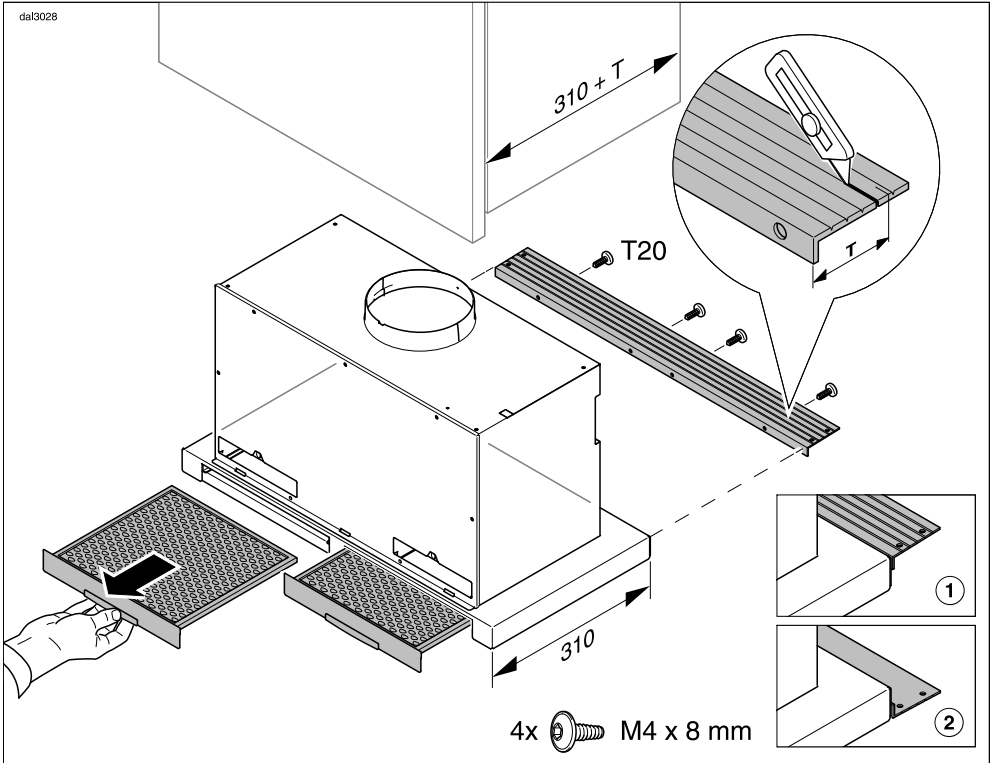


## Repositioning the ducting connection

The fan can be rotated to allow the ducting to be fitted at the back of the cooker hood. This may be necessary if the cooker hood is being fitted in a reduced height wall unit, for example. Repositioning is carried out before installing the cooker hood.

The cooker hood must be disconnected from the mains.

- Undo the fixing screws on the front panel of the cooker hood housing and remove the panel.
- Undo the screws from the cover on the back of the cooker hood housing and remove the cover.
- Unscrew the fixing screws on the fan unit.
- Turn the fan unit towards the rear and position the exhaust socket in the cut-out in the back panel of the cooker hood housing. Ensure when turning the motor unit that the connection cable does not become detached.
- Secure the fan in its new position.
- Now secure the cover taken from the back panel to the top of the housing.
- Refit the front panel and secure it using the screws.



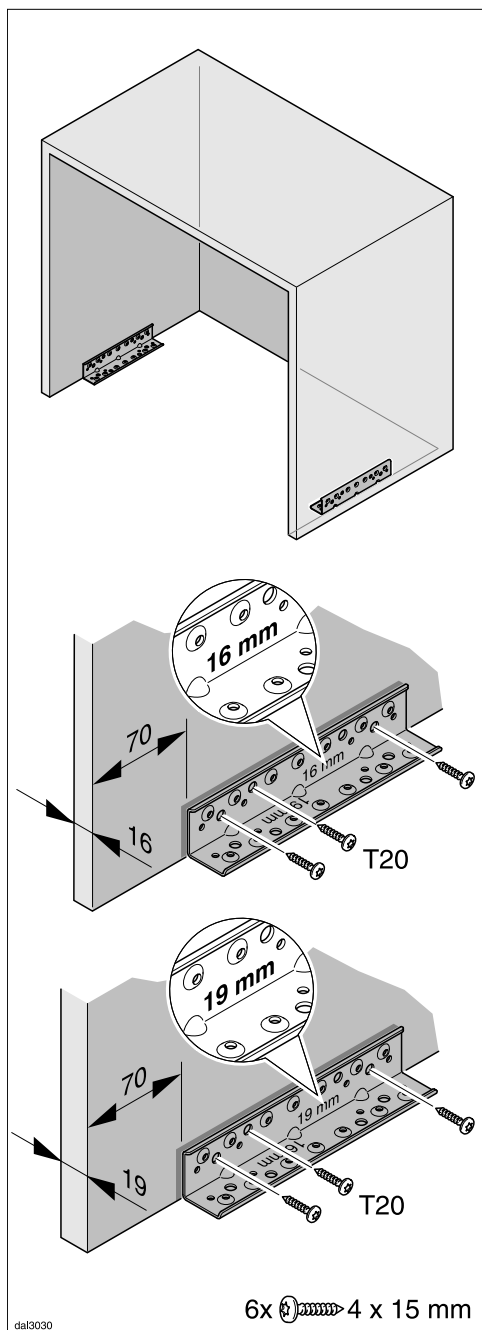
- Pull the grease filters out of the slots in the front of the cooker hood housing.

The spacer strip needs to be attached to the back of the cooker hood housing before the cooker hood is installed in the wall unit. The spacer strip can be attached to the upper ① or lower edge ② of the deflector plate.

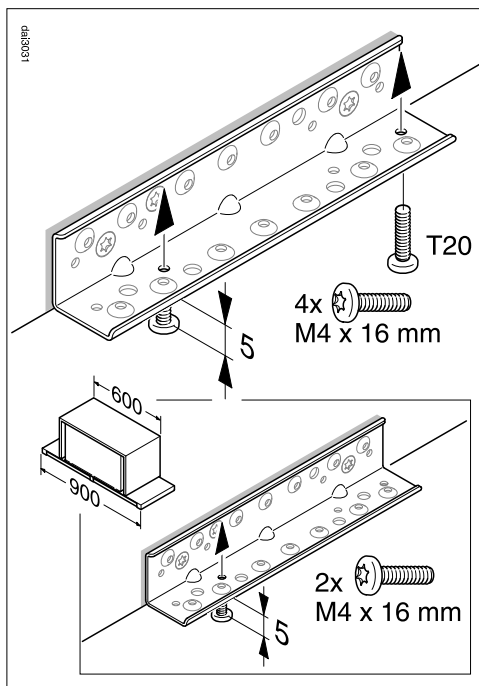
- Calculate the measurement T for the spacer strip
- Cut the spacer strip to measurement T. Score along the groove for the smaller measurement as shown, and remove the surplus.

- Screw the spacer strip to the back of the cooker hood at the required position. Use the screws supplied. To attach the spacer strip to the lower edge ② use the screws previously removed from the housing unit.

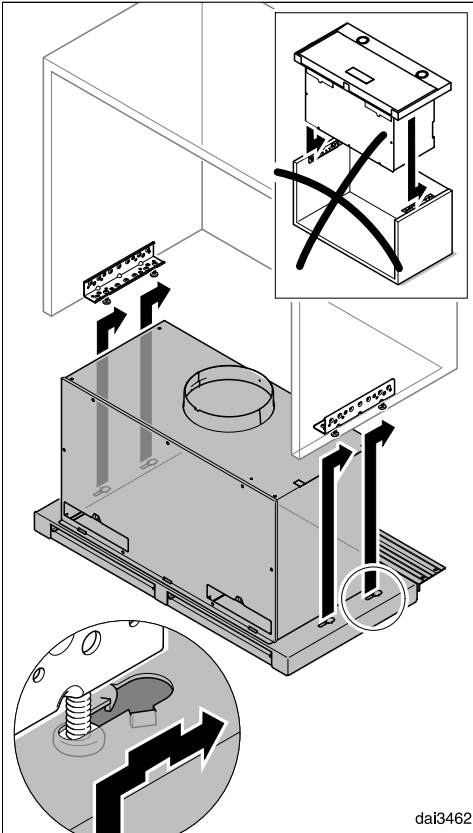
# Installation



- Screw the brackets onto the right and left inside walls of the housing unit so that they are flush with the bottom edges of the unit. The brackets are designed for 16 and 19 mm thick unit sides. Orientate the bracket so that the vertical depth matches the thickness of the unit side, as shown.



- Fit the screws for attaching the cooker hood so that they protrude by about 5 mm, as shown. Only use the front screws when fitting a 900 mm wide cooker hood in a 600 mm wide wall unit.



dai3462

Before connecting the cooker hood to the electricity supply, please see “Electrical connection” and “Warning and Safety instructions”.

- Connect the cooker hood to the electricity supply.
- Press the + button on the remote control.

The fan switches on and the deflector plate comes out.

- When the deflector plate is extended, disconnect the cooker hood from the electricity supply.

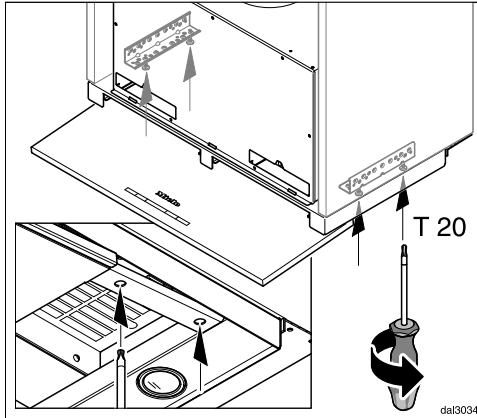
The fan will switch off, the deflector plate remains extended.

For safety reasons it is essential that the cooker hood is only fitted into a wall unit which is already installed. It cannot be fitted into the wall unit before the wall unit is installed.

- Fit the cooker hood into the wall unit from below. Guide it back over the safety notches until it is correctly hung in the wall unit.

To secure the cooker hood in the wall unit, the deflector plate must be extended. Electrical connection is required to do this.

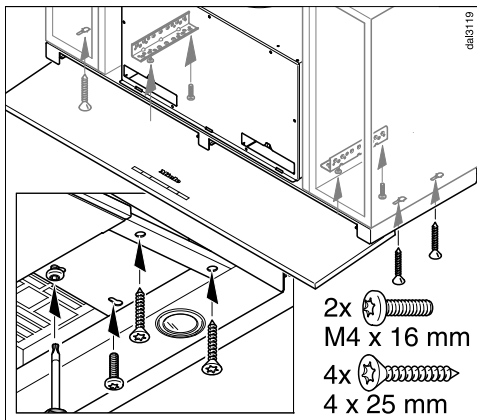
# Installation



- Press the On/Off control ① on the cooker hood or the — control on the remote control repeatedly until the fan switches off.

The fan switches off. The deflector plate retracts.

- Tighten the four fixing screws from below.

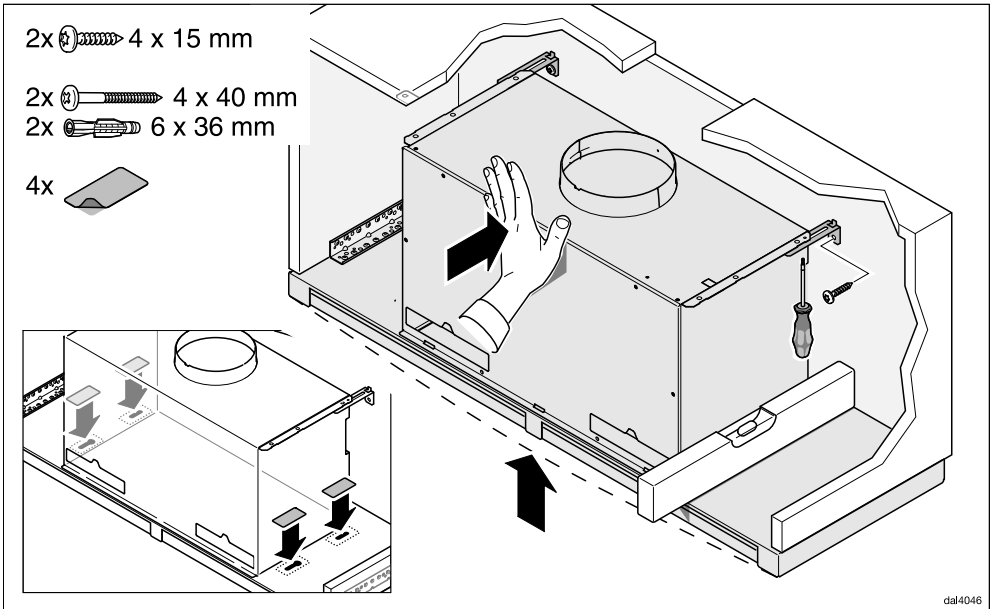


- When fitting a 900 mm wide cooker hood in a 600 mm wide wall unit, insert the two rear screws at this stage.  
If the wall unit has side sections, you will also need to secure it to the base on either side.

- Reconnect the cooker hood to the electricity supply.

The fan switches on again.





When fitting a 900 mm wide cooker hood into a 900 mm wide housing unit without side base supports, additional alignment and securing of the cooker hood is required. This is done using the two brackets on the back wall of the unit.

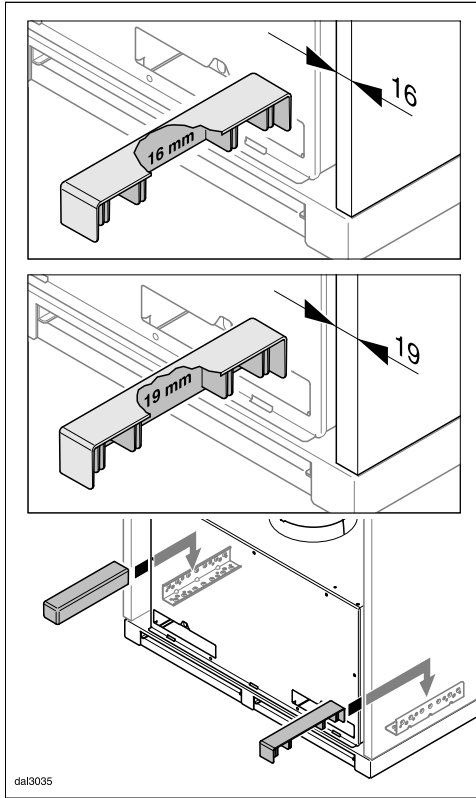
If the wall unit does not have a solid back panel, the cooker hood can be secured directly to the wall using the screws and plugs supplied.

An angled key is supplied in case the screws are difficult to access.

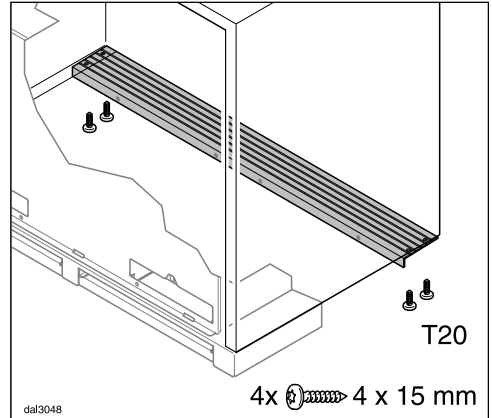
- Loosen the retaining bracket screws and push the brackets back against the rear wall.
- Align the cooker hood and mark the position of the fixing holes in the wall unit.
- Now secure the brackets to the wall unit.

- Realign the cooker hood and tighten up the screws on the casing.
- Conceal the fixing holes on the deflector plate which are not used. Suitable adhesive covers are supplied.

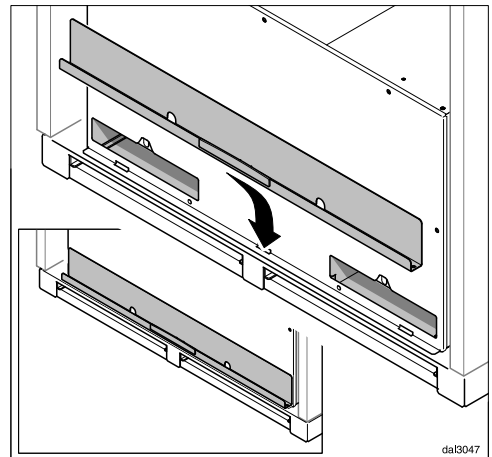
# Installation



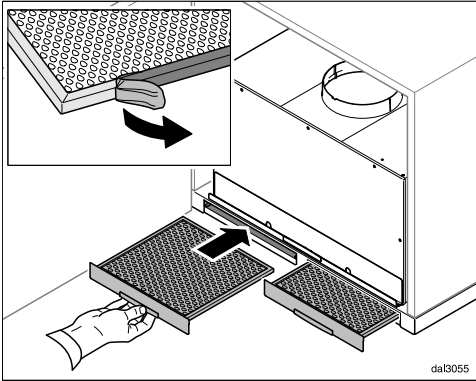
- The covers for the brackets are designed for 16 mm and 19 mm thick unit sides. Turn the covers so that they are in the appropriate position and fit them onto the brackets.



- Secure the spacer strip to the bottom of the wall unit as well.

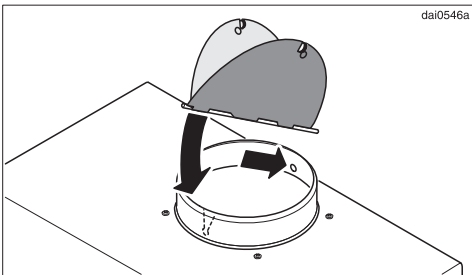


- Insert the cover for the charcoal filter slots as shown and close it. It is held in place by magnets.

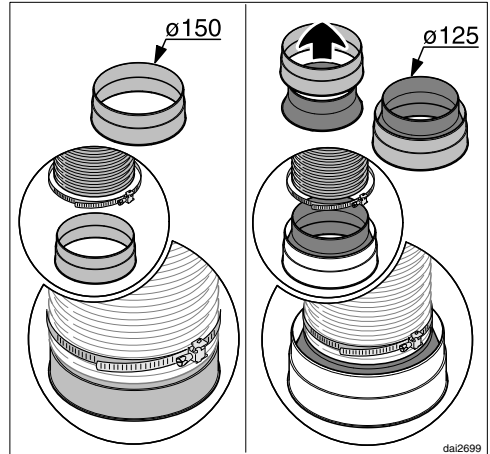


- Take the grease filters out and remove any protective foil. Replace the grease filters.

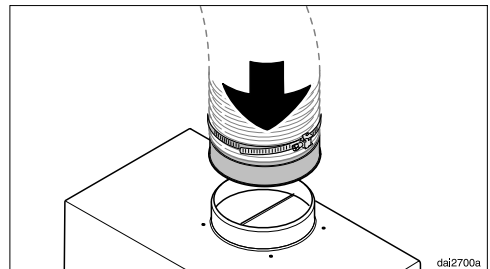
## Extraction mode



- Insert the non-return flap, if required. Make sure that it opens easily and closes again by itself.



- Attach the exhaust ducting, e.g. flexible hose, to the exhaust socket using a hose clip (available as an optional accessory). When using  $\varnothing$  125 mm ducting, fit the reducing collar supplied into the exhaust socket (see “Connection for air extraction”).

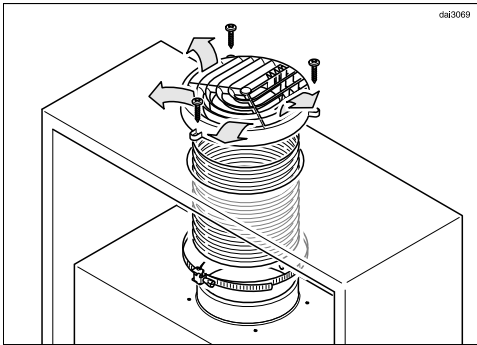


- Attach the exhaust ducting to the exhaust socket on the cooker hood.
- See “Connection for air extraction” for further instructions on fitting the ducting.

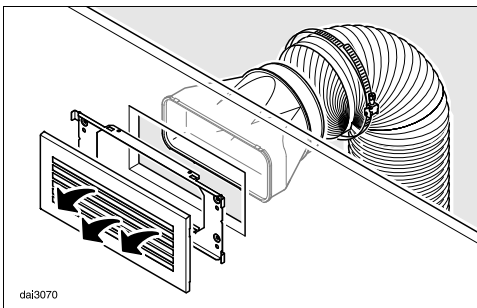
# Installation

## Setting up for recirculation mode

If site conditions are not suitable for the cooker hood to be used with air extraction, the appliance must be set up for recirculation. A conversion kit, available through your dealer or from Miele is required for operating the cooker hood in recirculation mode. You will also need two charcoal filters (see “Technical data”).



Conversion kit DUU 150 with a plastic grille is suitable for fitting in a non-visible area at the top of the wall unit.



Conversion kit DUU 151 with a stainless steel grille is recommended if the grille is to be fitted in an area which is visible.

- Fit the conversion kit as described in the installation instructions supplied with the kit. Make sure that the slats in the exhaust grille point towards the centre of the room and not towards a wall or the ceiling. A non-return flap is not used in recirculation mode.
- Fit the charcoal filters (see “Cleaning and care”).

## Electrical connection

Refer to the notes in “Electrical connection” and “Warning and Safety instructions” before connecting to the electricity supply.

- Connect the cooker hood to the electricity supply.

All electrical work should be undertaken by a suitably qualified and competent person in strict accordance with current national and local safety regulations (BS 7671 in the UK).

Installation, repairs and other work by unqualified persons could be dangerous, for which the manufacturer cannot be held liable. Ensure power is not supplied to the appliance until after installation or repair work has been carried out. Do not connect the appliance to the mains electricity supply by an extension lead. These do not guarantee the required safety of the appliance.

**The connection data is given on the data plate.** This is visible when the grease filters have been removed. Ensure that this data matches the household mains supply.

Connection of this appliance should be made via a suitable isolator or a double pole fused spur connection unit which complies with national and local safety regulations and the On-Off switch should be easily accessible after the appliance has been built in. When switched off there must be an all-pole contact gap of 3 mm in the switch (including switch, fuses and relays according to EN 60335).

If the switch is not accessible after installation (depending on country), an additional means of disconnection must be provided for all poles.

For extra safety it is advisable to protect the appliance with a suitable residual current device (RCD). Contact a qualified electrician for advice.

### Important

This appliance is supplied for connection to an a.c. 230 V single phase 50 Hz supply. The wires in the mains lead are coloured in accordance with the following code:

Green/yellow .....earth  
Blue ..... neutral  
Brown .....live

 **WARNING:**  
THIS APPLIANCE MUST BE  
EARTHED

# Connection for air extraction

**⚠** If the cooker hood is used at the same time as a heating appliance that relies on oxygen from the same room, there is a risk in certain circumstances of toxic fumes building up.

It is essential that the “Warning and Safety” instructions are observed. The cooker hood should be installed according to local and national building regulations. Seek approval from the building inspector where necessary.

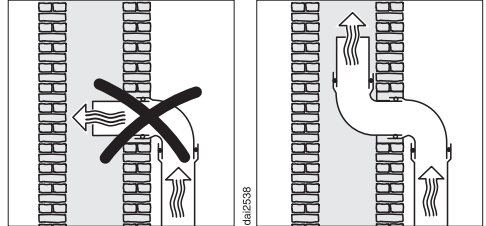
Use smooth or flexible ducting made from approved non-flammable materials for exhaust ducting.

To achieve the most efficient air extraction with the lowest noise levels, please note the following:

- The diameter of the exhaust ducting should not be less than 150 mm.
- If flat ducting is being used, the cross section must not be smaller than the cross sectional area of the exhaust connection.
- The exhaust ducting should be as short and straight as possible.
- Only use wide radius bends.
- The exhaust duct must not be kinked or compressed.
- Ensure that all connections are strong and airtight.

Remember that any constriction of the air flow will reduce extraction performance and increase operating noise.

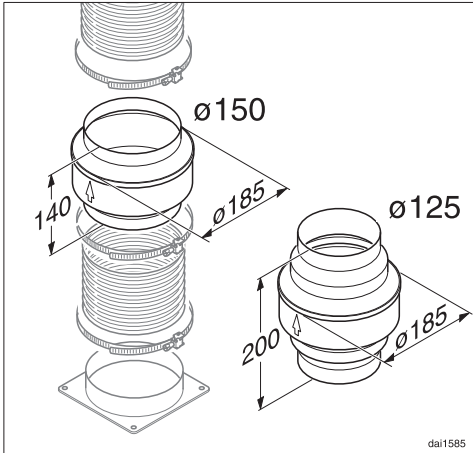
- If the exhaust is ducted through an outside wall, a telescopic wall vent or a roof vent (available as an optional accessory) is recommended.



- If the exhaust air is to be ducted into a flue, the ducting must be directed in the flow direction of the flue.
- When ducting is horizontal it must be laid to slope away at at least 1 cm per metre. This is to ensure that condensate cannot drain back into the appliance.
- If the exhaust ducting is to run through rooms, ceiling space etc. where there may be great variations in temperature between the different areas, the problem of condensation will need to be addressed. The exhaust ducting will need to be suitably insulated.

# Connection for air extraction

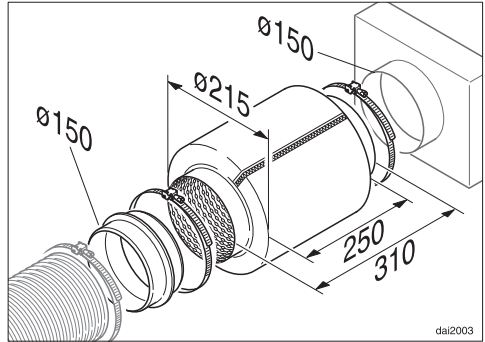
## Condensate trap



In addition to insulating the exhaust ducting, we recommend that a suitable condensate trap is also installed to collect and evaporate any condensate which may occur. Condensate traps for 125 mm or 150 mm ducting are available as optional accessories.

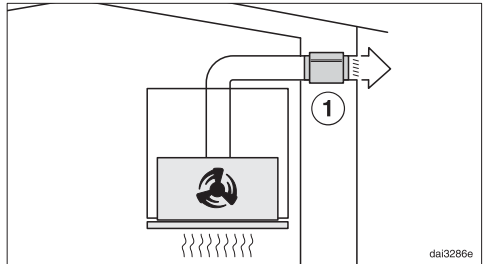
- When installing a condensate trap, ensure that it is positioned vertically and as closely as possible above the exhaust socket. The arrow on the housing indicates the direction of air-flow.

## Silencer



To achieve even further reductions in noise levels, a special silencer (optional accessory) can be fitted in the ducting system.

## Extraction mode

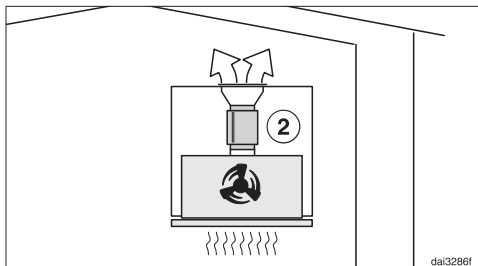


The silencer not only reduces noise from the motor outside the house, but also sounds from outside (e.g. traffic noise). For this reason the silencer must be positioned as close as possible to the ducting exit ①.

# Connection for air extraction

---

## Recirculation mode



The silencer needs to be positioned between the exhaust socket and the exhaust grille ②. Ensure there is adequate space for fitting it.



In the event of a fault which you cannot remedy yourself, please contact your Miele dealer or the Miele Service Department.

Contact details for Miele are given at the end of this booklet. N.B. A call-out fee will be charged for service visits where the problem could have been resolved as described in these instructions.

When contacting your dealer or Miele, please quote the model and serial number of your appliance. These are shown on the data plate.

### **Position of the data plate**

The data plate is located on the casing of the cooker hood and is visible when the cover for the charcoal filter slots is removed.

### **Warranty: U.K.**

In the U.K., the appliance warranty is valid for 2 years from the date of purchase. However, you must activate your cover by calling 0330 160 6640 or registering online at [www.miele.co.uk](http://www.miele.co.uk).

Please note that telephone calls may be monitored and recorded for training purposes.

### **Warranty: Other countries**

For information on the appliance warranty specific to your country please contact Miele. See end of this booklet for contact details.

# Technical data

Fan motor	80 W
Hob lighting	
DA 3668	2 x 3 W
DA 3698	3 x 3 W
Total connected load	
DA 3668	86 W
DA 3698	89 W
Mains voltage, frequency	AC 230 V, 50 Hz
Fuse rating	10 A
Mains connection cable length	1.5 m
Weight	
DA 3668	16 kg
DA 3698	19 kg

## WiFi module

Frequency band	2.412 - 2.462 GHz
Maximum transmitting power	< 100 mW

## Wireless module (ZigBee)

Frequency band	2.405 - 2.48 GHz
Maximum transmitting power	< 10 mW

## Special accessories for recirculation mode

DUU 150 or DUU 151 conversion kit and DKF 19-1 charcoal filter set. The set contains two active charcoal filters.

### Conformity declaration

Miele hereby declares that this cooker hood complies with Directive 2014/53/EU.

The complete text of the EU declaration of conformity is available from one of the following internet addresses:

- Products, Download from [www.miele.co.uk](http://www.miele.co.uk)
- For service, information, operating instructions etc: go to [www.miele.co.uk/domestic/customer-information-385.htm](http://www.miele.co.uk/domestic/customer-information-385.htm) and enter the name of the product or the serial number

### Note for test institutes

Energy efficiency must be calculated using extraction mode. The cooker hood is set up ex-works for recirculation mode. To re-set it for extraction mode the operating hours counter for the charcoal filter(s) has to be deactivated (see “Before using for the first time”).

# Technical data

## Data sheet for household cooker hoods

In acc. with delegated regulation (EU) No. 65/2014 and regulation (EU) No. 66/2014

<b>MIELE</b>	
<b>Model name / identifier</b>	DA 3668
Annual Energy Consumption ( $AEC_{hood}$ )	24,5 kWh/year
Energy efficiency class	A++
Energy efficiency index ( $EEl_{hood}$ )	35,2
Fluid Dynamic Efficiency ( $FDE_{hood}$ )	39,1
Fluid Dynamic Efficiency class	
A (most efficient) to G (least efficient)	A
Lighting Efficiency ( $LE_{hood}$ )	70,0 lx/W
Lighting Efficiency class	
A (most efficient) to G (least efficient)	A
Grease Filtering Efficiency	82,8%
Grease Filtering Efficiency class	
A (most efficient) to G (least efficient)	C
Airflow at best efficiency point	367,5 m <sup>3</sup> /h
Air flow (min. speed)	190 m <sup>3</sup> /h
Air flow (max. speed)	400 m <sup>3</sup> /h
Air flow (intensive or boost setting)	635 m <sup>3</sup> /h
Max. air flow ( $Q_{max}$ )	635 m <sup>3</sup> /h
Air pressure at best efficiency point	356 Pa
Airborne acoustical A-weighted sound power emissions (min. speed)	36 dB
Airborne acoustical A-weighted sound power emissions (max. speed)	51 dB
Airborne acoustical A-weighted sound power emissions (intensive or boost setting)	63 dB
Electrical power input at best efficiency point	93,0 W
Power consumption in off mode ( $P_o$ )	W
Power consumption in standby mode ( $P_s$ )	0,35 W
Nominal power of lighting system	6,0 W
Average illumination of the lighting system on the cooking surface	420 lx
Time increase factor	0,6

## Data sheet for household cooker hoods

In acc. with delegated regulation (EU) No. 65/2014 and regulation (EU) No. 66/2014

<b>MIELE</b>	
<b>Model name / identifier</b>	DA 3698
Annual Energy Consumption (AEC <sub>hood</sub> )	25,6 kWh/year
Energy efficiency class	A++
Energy efficiency index (EEI <sub>hood</sub> )	36,7
Fluid Dynamic Efficiency (FDE <sub>hood</sub> )	39,4
Fluid Dynamic Efficiency class	
A (most efficient) to G (least efficient)	A
Lighting Efficiency (LE <sub>hood</sub> )	55,6 lx/W
Lighting Efficiency class	
A (most efficient) to G (least efficient)	A
Grease Filtering Efficiency	82,8%
Grease Filtering Efficiency class	
A (most efficient) to G (least efficient)	C
Airflow at best efficiency point	358,1 m <sup>3</sup> /h
Air flow (min. speed)	190 m <sup>3</sup> /h
Air flow (max. speed)	400 m <sup>3</sup> /h
Air flow (intensive or boost setting)	635 m <sup>3</sup> /h
Max. air flow (Q <sub>max</sub> )	635 m <sup>3</sup> /h
Air pressure at best efficiency point	357 Pa
Airborne acoustical A-weighted sound power emissions (min. speed)	36 dB
Airborne acoustical A-weighted sound power emissions (max. speed)	51 dB
Airborne acoustical A-weighted sound power emissions (intensive or boost setting)	63 dB
Electrical power input at best efficiency point	90,0 W
Power consumption in off mode (P <sub>o</sub> )	W
Power consumption in standby mode (P <sub>s</sub> )	0,35 W
Nominal power of lighting system	9,0 W
Average illumination of the lighting system on the cooking surface	500 lx
Time increase factor	0,6

DA 3668, DA 3698

en-GB

M.-Nr. 10 898 980 / 02