

Operating and installation instructions Electric hobs



To avoid the risk of accidents or damage to the appliance it is **essential** to read these instructions before it is installed and used for the first time.

Contents

Warning and Safety instructions	4
Caring for the environment	14
Guide to the appliance	15
Hob.....	15
KM 6520 FR, KM 6520 FL.....	15
KM 6521 FR	16
KM 6522 FR	17
KM 6523 FL.....	18
KM 6527 FR	19
Controls and display	20
Cooking zones.....	22
Before using for the first time	24
Cleaning the hob for the first time	24
Switching on the hob for the first time	24
How it works	25
Pans	26
Tips on saving energy	27
Setting range	28
Operation	29
Using the appliance.....	29
Switching on the hob	30
Setting the power level.....	30
Changing the power level.....	30
Switching off a cooking zone	30
Residual heat indicator.....	31
Power level setting - Extended setting range.....	31
Switching on an extended zone/outer ring.....	32
Auto heat-up	33
Timer	34
Minute minder	34
Auto switch off	35
Using both timer functions at the same time	36
Additional functions	37
Stop & Go.....	37
Recall.....	37
Demonstration mode.....	38

Displaying hob data.....	38
Safety features	39
System lock / Safety lock.....	39
Safety switch-off	40
Overheating protection.....	41
Programming	42
Note for test institutes	45
Cleaning and care	46
Problem solving guide	48
Messages in the display.....	48
Unexpected behaviour	49
Unsatisfactory results.....	50
General problems or technical faults.....	51
Optional accessories	52
After sales service	53
Contact in the event of a fault	53
Data plate	53
Warranty	53
Installation	54
Safety instructions for installation	54
Safety distances.....	55
Installation notes	59
Surface-mounted installation	59
Flush-fit installation	60
Installation dimensions – Surface-mounted	61
KM 6520 FR	61
KM 6521 FR	62
KM 6522 FR	63
KM 6527 FR	64
Surface-mounted installation	65
Installation dimensions – Flush-fit	67
KM 6520 FL.....	67
KM 6523 FL.....	68
Flush-fit installation	69
Electrical connection.....	70
Product data sheets	73

Warning and Safety instructions

This hob complies with all relevant local and national safety requirements. Inappropriate use can, however, lead to personal injury and material damage.

Read the operating and installation instructions carefully before using the hob. They contain important information on safety, installation, use and maintenance. This prevents both personal injury and damage to the hob.

In accordance with standard IEC 60335-1, Miele expressly and strongly advises that you read and follow the instructions in the chapter on installing the hob as well as the safety instructions and warnings.

Miele cannot be held liable for injury or damage caused by non-compliance with these instructions.

Keep these instructions in a safe place and pass them on to any future owner.

Correct application

- ▶ This hob is intended for domestic use and use in other similar environments.
- ▶ This hob is not intended for outdoor use.
- ▶ It is intended for domestic use only to cook food and keep it warm. Any other use is not supported by the manufacturer and could be dangerous.
- ▶ This hob is not intended for use by people with reduced physical, sensory or mental capabilities or lack of experience and knowledge, unless they have been given supervision and instruction concerning its use by a person responsible for their safety. They may only use the hob unsupervised if they have been shown how to use it in a safe way. They must be able to recognise and understand the dangers of misuse.

Warning and Safety instructions

Safety with children

- ▶ Children under 8 years of age must be kept away from the hob unless they are constantly supervised.
- ▶ Children over 8 years of age may use the hob without supervision if its operation has been clearly explained to them and they are able to use it safely. Children must be able to understand and recognise the possible dangers caused by incorrect operation.
- ▶ Children must not be allowed to clean the hob unsupervised.
- ▶ Please supervise children in the vicinity of the hob and do not let them play with it.
- ▶ The hob gets hot when in use and remains hot for a while after being switched off. Keep children well away from the hob until it has cooled down and there is no danger of burning.
- ▶ Danger of burning. Do not store anything which might arouse a child's interest in storage areas above or behind the hob. Otherwise they could be tempted to climb onto the hob.
- ▶ Risk of burning and scalding. Place pots and pans on the cooking zone in such a way that children cannot pull them down and burn themselves.
- ▶ Danger of suffocation! Whilst playing, children may become entangled in packaging material (such as plastic wrapping) or pull it over their head with the risk of suffocation. Keep packaging material away from children.
- ▶ Activate the system lock to ensure that children cannot switch on the hob inadvertently. Use the safety lock when the hob is in use to prevent children from altering the settings selected.

Technical safety

- ▶ Unauthorised installation, maintenance and repairs can cause considerable danger for the user. Installation, maintenance and repairs must only be carried out by a Miele authorised technician.
- ▶ Damage to the hob can compromise your safety. Check the hob for visible signs of damage. Do not use the hob if it is damaged.
- ▶ Temporary or permanent operation on an autonomous power supply system or a power supply system that is not synchronised with the mains power supply (e.g. island networks, back-up systems) is possible. A prerequisite for operation is that the power supply system complies with the specifications of EN 50160 or an equivalent standard.

The function and operation of the protective measures provided in the domestic electrical installation and in this Miele product must also be maintained in isolated operation or in operation that is not synchronised with the mains power supply, or these measures must be replaced by equivalent measures in the installation. As described, for example, in the current version of BS OHSAS 18001–2 ISO 45001.

- ▶ The electrical safety of this hob can only be guaranteed when correctly earthed. It is essential that this standard safety requirement is met. If in any doubt please have the electrical installation tested by a qualified electrician.
- ▶ To avoid the risk of damage to the hob, make sure that the connection data on the data plate (voltage and frequency) match the mains electricity supply before connecting it to the mains. Consult a qualified electrician if in doubt.
- ▶ Do not connect the hob to the mains electrical supply by a multi-socket adapter or extension lead. These are a fire hazard and do not guarantee the required safety of the appliance.
- ▶ For safety reasons, this hob may only be used after it has been built in.

Warning and Safety instructions

- ▶ This hob must not be used in a non-stationary location (e.g. on a ship).
- ▶ Never open the casing of the hob.
Touching or tampering with electrical connections or components and mechanical parts is highly dangerous to the user and can cause operational faults.
- ▶ While the hob is under warranty, repairs should only be undertaken by a Miele authorised service technician. Otherwise the warranty is invalidated.
- ▶ Miele can only guarantee the safety of the appliance when genuine original Miele replacement parts are used. Faulty components must only be replaced by Miele spare parts.
- ▶ The hob is not intended for use with an external timer switch or a remote control system.
- ▶ The hob must be connected to the electricity supply by a qualified electrician (see “Installation – Electrical connection”).
- ▶ If the mains connection cable is damaged, it must be replaced with a special mains connection cable by a qualified electrician (see “Electrical connection” in the “Installation” chapter).
- ▶ The hob must be disconnected from the mains electricity supply during installation, maintenance and repair work. Ensure that power is not supplied to the appliance until after it has been installed or until any maintenance or repair work has been carried out.
- ▶ Danger of electric shock. Do not use the hob if it is faulty, or if the ceramic surface is cracked, chipped or damaged in any way. Switch it off immediately. Disconnect the hob from the mains electricity supply. Contact Miele Service.

Warning and Safety instructions

- ▶ If the hob is installed behind a cabinet door, do not close the door while the hob is in use. Heat and moisture can build up behind the closed door. This can result in damage to the hob, the housing unit and the floor. Do not close the door until the residual heat indicators go out.
- ▶ In areas which may be subject to infestation by cockroaches or other vermin, pay particular attention to keeping the appliance and its surroundings clean at all times. Any damage caused by cockroaches or other vermin will not be covered by the warranty.

Warning and Safety instructions

Correct use

- ▶ The hob gets hot when in use and remains hot for a while after being switched off. There is a danger of burning until the residual heat indicators go out.
- ▶ Due to the high temperatures radiated, objects left near the hob when it is in use could catch fire.
Do not use the hob to heat up the room.
- ▶ Oil and fat can overheat and catch fire. Do not leave the hob unattended when cooking with oil and fat. If it does ignite do not attempt to put the flames out with water.
Disconnect the hob from the mains and use a suitable fire blanket, saucepan lid, damp towel or similar to smother the flames.
- ▶ Do not leave the hob unattended whilst it is being used. It should be continually monitored whilst boiling and flash frying.
- ▶ Flames could set the grease filters of a cooker hood on fire. Do not flambé under a cooker hood.
- ▶ Spray canisters, aerosols and other inflammable substances can ignite when heated. Therefore do not store such items or substances in a drawer under the hob. Cutlery inserts must be heat-resistant.
- ▶ Do not heat an empty pan.
- ▶ Do not heat up food in closed containers e.g. tins or sealed jars on the hob, as pressure can build up in the container, causing it to explode.
- ▶ Do not cover the hob, e.g. with a hob cover, a cloth or protective foil. The material could catch fire, shatter or melt if the hob is switched on by mistake or if residual heat is still present.

Warning and Safety instructions

- ▶ When the appliance is switched on either deliberately or by mistake, or when there is residual heat present, there is the risk of any metal items left on the hob heating up, with the danger of burning. Depending on the material, other items left on the hob could also melt or catch fire. Damp pan lids might adhere to the ceramic surface and be difficult to dislodge. Do not use the appliance as a resting place. Switch the cooking zones off after use.
- ▶ You could burn yourself on the hot hob. Protect your hands with heat-resistant pot holders or gloves when handling hot pots and pans. Do not let them get wet or damp, as this causes heat to transfer through the material more quickly with the risk of scalding or burning yourself.
- ▶ When using an electrical appliance, e.g. a hand-held food blender, near the hob, ensure that the cable of the electrical appliance cannot come into contact with the hot hob. The insulation on the cable could become damaged.
- ▶ Grains of salt, sugar and sand (e.g. from cleaning vegetables) can cause scratches if they get under pan bases. Make sure that the ceramic surface is clean before placing pans on it.
- ▶ Even a light object can cause damage in certain circumstances. Do not drop anything on the ceramic surface.
- ▶ Placing hot pans on the sensors and indicators could damage the electronics underneath. Do not place hot pans on the sensors or indicators.
- ▶ Do not allow solid or liquid sugar, or pieces of plastic or aluminium foil to get onto the hob when it is hot, as they can damage the ceramic surface when it cools down. If this should occur, switch off the appliance and scrape off all the sugar, plastic or aluminium residues whilst still hot, using a shielded scraper blade suitable for use on glass. Wear oven gloves when doing this. Allow the ceramic surface to cool down and then clean it with a suitable ceramic hob cleaning agent.

Warning and Safety instructions

- ▶ Pans which boil dry can cause damage to the ceramic glass. Do not leave the hob unattended whilst it is being used.
- ▶ Only use pots and pans with smooth bases. Rough bases will scratch the ceramic glass.
- ▶ Lift pans into position on the hob. Sliding them into place can cause scuffs and scratches.
- ▶ Plastic and aluminium foil containers melt at high temperatures. Do not use plastic or aluminium foil containers.
- ▶ The hob frame or hob edges (on hobs with bevelled edges) and the controls can become hot due to the influence of the following factors: operating duration, high power level(s), large pans and the number of cooking zones being used.
- ▶ Pots and pans made of aluminium or with an aluminium base can leave a metallic sheen on the hob. This can be removed with the ceramic and stainless steel hob cleaner (see “Cleaning and care”).
- ▶ If spills remain on the hob for any length of time they can burn on and in certain circumstances become impossible to remove. Remove any soiling as quickly as possible and ensure that pan bases are clean, dry and free of grease.
- ▶ Do not use the ceramic surface for preparing food on. Always use suitable pots and pans.

Cleaning and care

- ▶ Do not use a steam cleaning appliance to clean this hob. The steam could reach electrical components and cause a short circuit.
- ▶ Miele will guarantee to supply functional spare parts for a minimum of 10 years and up to 15 years following the discontinuation of your hob.

Caring for the environment

Disposing of the packaging material

The packaging material is used for handling and protects the appliance from transport damage. The packaging material used is selected from materials which are environmentally friendly for disposal and can generally be recycled.

Recycling the packaging material reduces the use of raw materials. Use material-specific collection points for valuable materials and take advantage of return options. Your Miele dealer will take the packaging material away.

Disposing of your old appliance

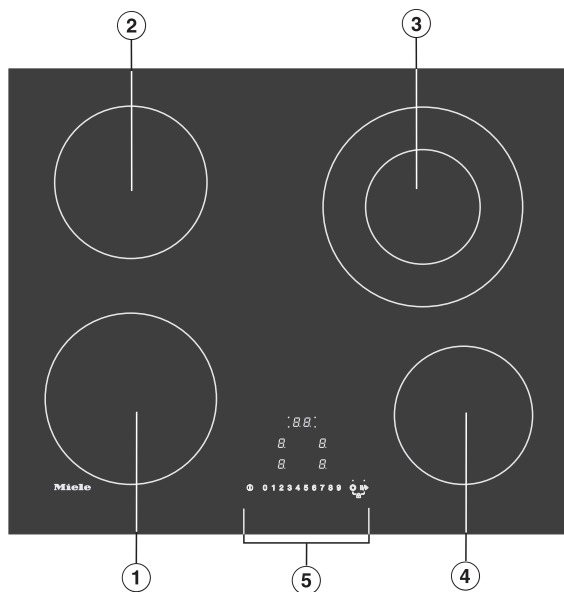
Electrical and electronic appliances contain many valuable materials. They also contain certain materials, compounds and components which were essential for their correct functioning and safety. These could be hazardous to human health and to the environment if disposed of with household waste or if handled incorrectly. Please do not, therefore, dispose of your old appliance with household waste.



Instead, please make use of officially designated collection and disposal points to dispose of and recycle electrical and electronic appliances in your local community, with your dealer or with Miele, free of charge. By law, you are solely responsible for deleting any personal data from the old appliance prior to disposal. You are legally obliged to remove any old batteries which are not securely enclosed by the appliance and to remove any lamps without destroying them, where this is possible. These must be taken to a suitable collection point where they can be handed in free of charge. Please ensure that your old appliance poses no risk to children while being stored for disposal.

Hob

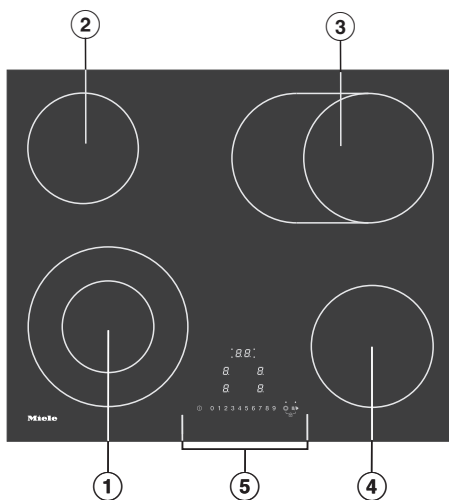
KM 6520 FR, KM 6520 FL



- ① Single-circle cooking zone
- ② Single-circle cooking zone
- ③ Double-circle cooking zone
- ④ Single-circle cooking zone
- ⑤ Controls and indicators

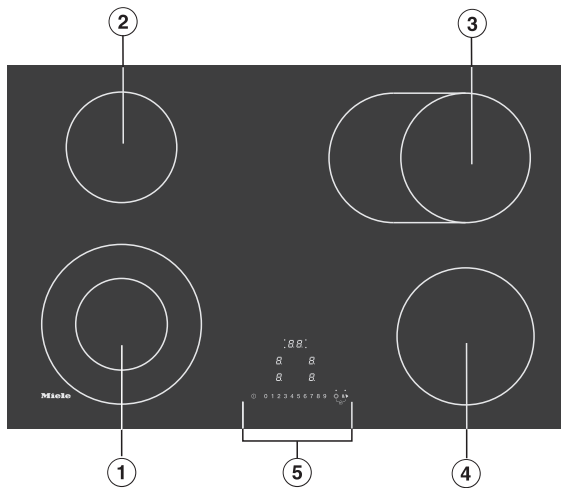
Guide to the appliance

KM 6521 FR



- ① Double-circle cooking zone
- ② Single-circle cooking zone
- ③ Single circle cooking zone/extended zone
- ④ Single-circle cooking zone
- ⑤ Controls and indicators

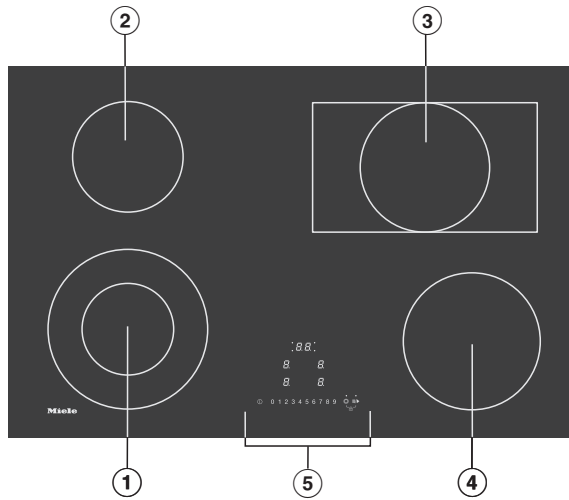
KM 6522 FR



- ① Double-circle cooking zone
- ② Single-circle cooking zone
- ③ Single circle cooking zone/extended zone
- ④ Single-circle cooking zone
- ⑤ Controls and indicators

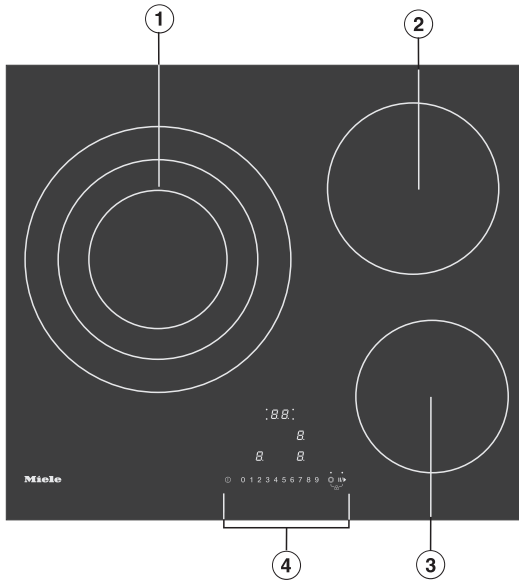
Guide to the appliance

KM 6523 FL



- ① Double-circle cooking zone
- ② Single-circle cooking zone
- ③ Single circle cooking zone/extended zone
- ④ Single-circle cooking zone
- ⑤ Controls and indicators

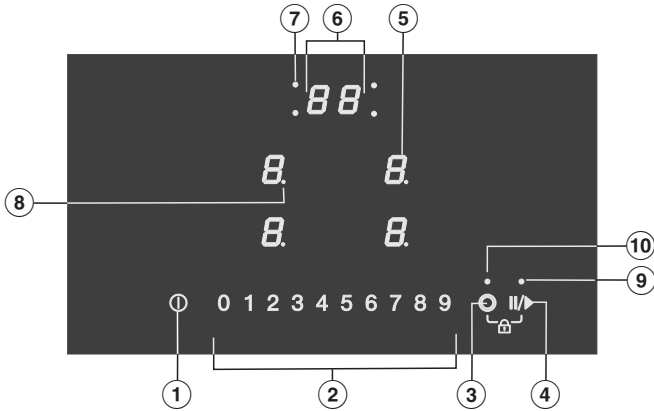
KM 6527 FR



- ① Triple circle cooking zone
- ② Single-circle cooking zone
- ③ Single-circle cooking zone
- ④ Controls and indicators

Guide to the appliance

Controls and display



Sensor controls

- ① Hob On/Off
- ② Numerical display
 - To set the power level
 - To set the times
- ③ For switching on an extended cooking zone
- ④ Stop & Go
 - To stop/start a cooking process in progress
- ⑤ Cooking zone selection and display
 - 8* Cooking zone is ready for operation
 - 1 to 9* Power level
 - ≡* Residual heat
 - R* Auto heat-up

Displays/indicator lights

- ⑥ Timer display
 - 00 to 99* Duration in minutes
 - LL* System lock/safety lock is activated
 - dE* Demo mode is activated
- ⑦ Cooking zone allocation auto switch off
Auto switch off for the cooking zone is activated
- ⑧ Power level – extended setting range
- ⑨ Stop & Go
Stop & Go function is activated
- ⑩ Switching on an extended zone/outer ring
Another heating circle is switched on.

Guide to the appliance

Cooking zones

KM 6520 FR, KM 6520 FL		
Cooking zone	Ø in cm	Rating in watts for 230 V
①	18.0	1800
②	16.0	1500
③	12.0/21.0	750/2200
④	14.5	1200
		Total: 6700

KM 6521 FR		
Cooking zone	Ø in cm	Rating in watts for 230 V
①	12.0/21.0	1200/2200
②	14.5	1200
③	17.0/17.0 x 26.5	1500/2400
④	16.0	1500
		Total: 7300

KM 6522 FR		
Cooking zone	Ø in cm	Rating in watts for 230 V
①	12.0/21.0	750/2200
②	14.5	1200
③	17.0/17.0 x 29.0	1500/2400
④	18.0	1800
		Total: 7600

Guide to the appliance

KM 6523 FL		
Cooking zone	Ø in cm	Rating in watts for 230 V
①	12.0/21.0	1200/2200
②	14.5	1200
③	17.0/17.0 x 29.0	1500/2600
④	18.0	1800
		Total: 7800

KM 6527 FR		
Cooking zone	Ø in cm	Rating in watts for 230 V
①	14.5/21.0/27.0	1200/2300/3400
②	18.0	1800
③	16.0	1500
		Total: 6700

Before using for the first time

- Please stick the extra data plate for the appliance supplied with this documentation in the space provided in the “After sales service” section of this booklet.
- Remove any protective wrapping and stickers.

Cleaning the hob for the first time

- Before using for the first time, clean the hob with a damp cloth only and then wipe dry.

Switching on the hob for the first time

The metal components have a protective coating. When the hob is used for the first time, this causes a smell and possibly also vapour.

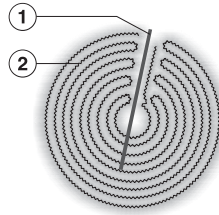
The smell and any vapours given off do not indicate a faulty connection or appliance and they are not hazardous to health.

Single circle cooking zones have one heating element, whilst double circle cooking zones and extended zones have two. Depending on the model, the heating elements may be separated by an insulating ring.

Each cooking zone has overheating protection (a temperature limiter), which stops the ceramic surface from becoming too hot (see “Safety features – Overheating protection”).

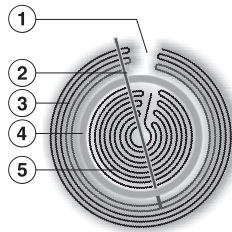
When a power level is selected, heating is activated and the glowing heater element can be seen through the ceramic surface. The heater rating of the cooking zones depends on the power level selected, and is electronically regulated. The “timing” of the cooking zone is controlled by switching the element on and off.

Single circle zone



- ① Overheating protection
- ② Heating element

Double circle zone

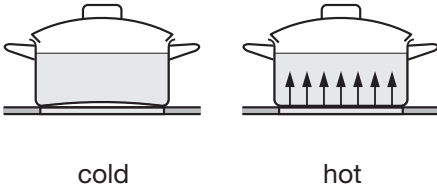


- ① Intentional gap (technical requirement)
- ② Overheating protection
- ③ Outer heating element
- ④ Isolating ring
- ⑤ Inner heating element

Pans

The best pots and pans are metal ones with a thick base which is very slightly concave when cold. When heated, the base flattens to rest evenly on the hob, optimising the conduction of the heat.

- Please note that the maximum diameter quoted by manufacturers often refers to the diameter of the top rim of the pot or pan. The diameter of the base (generally smaller) is more important.



Glass, ceramic, or stoneware is **less suitable**. These materials do not conduct the heat well.

Cutlery made of synthetic material, and aluminum foil **are not suitable**. These melt at high temperatures.

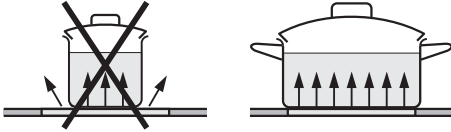
Pots and pans made of aluminium or with an aluminium base can leave a metallic sheen on the hob. This can be removed with the ceramic and stainless steel hob cleaner (see “Cleaning and care”).

Please be aware that the properties of the pan base can affect the evenness with which the food heats up (e.g. when making pancakes).

- To make optimum use of the cooking zones, choose pans with a suitable base diameter (see chapter “Cooking zones”).
- Use only pots and pans with smooth bases. Rough bases can scratch the ceramic glass.
- Always lift the pans to move them. This will help prevent scratching.

Tips on saving energy

- Check that the diameter of the pan base is wide enough for the cooking zone so that heat is not lost unnecessarily.



- Use a pan lid whenever possible to minimize heat loss.
- Select a smaller pan when cooking small quantities. A small pan on a small cooking zone uses less energy than a large, partially filled pan on a large cooking zone.
- Cook with as little water as possible.
- Once food has come to the boil or the oil in the pan is hot enough for frying, reduce the heat to a lower setting.
- When cooking for a long time, switch the cooking zone off about 5 to 10 minutes before the end of the cooking time. In this way, use is made of the residual heat.
- Use a pressure cooker to reduce cooking times.

Setting range

The hob is programmed with 9 power levels at the factory. If you wish to fine-tune a setting, you can extend the power level range to 17 power levels (see “Programming”).

	Setting ranges	
	Default setting (9 power levels)	Extended settings (17 power levels)
Melting butter, chocolate etc. Dissolving gelatine	1–2	1–2.
Warming small quantities of food/liquids Keeping warm food which sticks easily Cooking rice	1–3	1–3.
Warming liquid and semi-solid foods Thickening sauces, e.g. Hollandaise Making porridge Making omelettes, lightly fried eggs Steaming fruit	2–4	2–4.
Defrosting deep frozen food Steaming vegetables, fish Cooking dumplings, pulses Cooking broths, pulse soups	3–6	3–5.
Bringing to the boil and continued cooking of large quantities of food	4–6	4.–5.
Gently frying meat, fish, sausages, eggs etc. (without overheating the fat).	6–7	6–7.
Cooking potato fritters, pancakes etc.	7–8	7–8.
Boiling large quantities of water Flash frying large amounts of meat Bringing to the boil	8–9	8.–9

These settings should only be taken as a guide. They apply to 4 normal servings. With deep pans, large quantities or when cooking without the lid, a higher setting is required. For smaller quantities, select a lower setting.


Using the appliance

This ceramic hob is equipped with electronic sensor controls which react to finger contact. For safety reasons, in order to switch the appliance on, the On/Off ① sensor needs to be touched for a little longer than the other sensors. Each time a sensor control is activated, an audible signal sounds.

When the hob is switched off, only the printed sensor control symbols and numbers on the keybank are visible. When the hob is switched on, all the other sensors light up as well. More sensors light up when the hob is switched on.

In order to set or alter a power level, the cooking zones must be “active”. To activate a cooking zone, touch the sensor for selecting the relevant cooking zone. The relevant cooking zone indicator will begin to flash when touched. While the indicator is flashing, set or adjust the power level or set a time.

Exception: If only one of the cooking zones is in operation, you can alter the power setting without activating the cooking zone.

 Malfunction due to dirty and/or covered sensor controls.


If the sensor controls are dirty or covered, this could cause them to fail to react, to activate a function or even to switch the appliance off automatically (see “Safety features – Safety switch-off”). Placing hot cookware on the sensor controls/ indicators can damage the electronic unit underneath.

Keep the sensor controls and indicators clean.

Do not place anything over the sensor controls or indicators.

Do not place hot cookware over the sensor controls or indicators.

Operation

 Risk of fire with overheated food. Unattended food can overheat and catch alight. Do not leave the hob unattended whilst it is being used.

Switching on the hob

- Touch the ① sensor.

Other sensors will light up.

If no further entry is made, the hob will switch itself off after a few seconds for safety reasons.

Setting the power level

- Place a pan on the cooking zone you want to use.
- Touch the relevant cooking zone display.

The cooking zone display will begin to flash.

- Touch the appropriate sensor control on the numerical keybank for the power level you want.

The power level selected will flash for a few seconds in the hob display and then light up constantly.

Changing the power level

- Touch the relevant cooking zone display.

The cooking zone display will begin to flash.

- Touch the appropriate sensor control on the numerical keybank for the power level you want.

Switching off a cooking zone

- To switch a cooking zone off, touch the display for the relevant cooking zone.

The cooking zone display will begin to flash.

- Touch the 0 sensor control on the numerical keybank.
- To switch off the hob and all the cooking zones, touch the ① sensor.

Residual heat indicator

If the cooking zone is still hot, the residual heat indicator will light up after it has been switched off.

The bars of the residual heat indicator go out one after the other as the cooking zone cools down. The last horizontal bar only goes out when the cooking zone is safe to touch.

The residual heat indicators will flash in the event of a power cut either during operation or whilst there is still danger from residual heat.



Risk of burning due to hot cooking zones.

The cooking zones will be hot after use.

Do not touch the cooking zones while the residual heat indicators are on.

Power level setting - Extended setting range

- Touch the numerical keybank in between two number sensors.

The power level selected will flash for a few seconds and then light up constantly. The intermediate setting will be represented by an illuminated dot next to the number.

Operation

Switching on an extended zone/outer ring

Double circle cooking zone or single circle cooking zone/extended zone:

When you switch on a double circle cooking zone or an extended zone, the second heating circle is always switched on automatically.

Triple circle cooking zone:

When you switch on a triple cooking zone, the second heating circle is always switched on automatically. The third heating circle must be switched on manually.

Indicator light:

On hobs with only one multi-circle cooking zone or a single circle cooking zone/extended zone, the indicator light to show that these are switched on lights up constantly.


On hobs with two or more multi-circle cooking zones/and single circle cooking zones/extended zones, the indicator light to show that these are switched on only lights up while the cooking zone indicator is flashing. There is no difference in the indicator between the second and the third heater element of a triple cooking zone.

An additional heating circle can only be switched on or off if the corresponding cooking zone indicator is flashing. Exception: the hob only has one multi-circle cooking zone or a single circle cooking zone/extended zone.

Switching the heater element off

- Briefly touch the display for the required cooking zone.

The cooking zone display starts to flash and the indicator light for the extended outer zone lights up.

- While the cooking zone display is flashing, touch the  sensor repeatedly until the indicator light for the extended outer zone goes out.

Switching the heater element on

- Briefly touch the display for the required cooking zone.

The cooking zone display will begin to flash.

- Touch the  control whilst the cooking zone display is flashing.

The indicator light for the extended / outer zone will light up.

- Set the power level you want.

Auto heat-up

When Auto heat-up has been activated, the cooking zone switches on automatically at the highest setting and then switches to the continued cooking setting which you have previously selected. The heat-up time depends on which continued cooking setting has been chosen (see chart).

Activating Auto heat-up

- Briefly touch the display for the required cooking zone.
- Touch the sensor for the continued cooking setting you want until a tone sounds and *H* lights up in the cooking zone display.

The *H* symbol flashes alternately with the power setting selected in the cooking zone display during the heat-up time (see chart).

Changing the continued cooking setting while the cooking zone is heating up deactivates Auto heat-up.

Deactivating Auto heat-up

- Briefly touch the display for the required cooking zone.
 - Touch the continued cooking setting you have set until the *H* goes out.
- or
- Set another power level.

Continued cooking setting*	Heat-up time [min : sec]
1	1:20
1.	2:00
2	2:45
2.	3:25
3	4:05
3.	4:45
4	5:30
4.	6:10
5	6:50
5.	7:10
6	1:20
6.	2:00
7	2:45
7.	2:45
8	2:45
8.	2:45
9	—

* The continued cooking settings with a dot after the number are only available if the power level range has been extended (see "Programming"). As the higher continued cooking settings are generally used for frying food, only a relatively short heat-up time is needed to heat up the pan initially.

Timer

The hob has to be switched on if you want to use the timer.

The timer can be used for the following 2 functions:

- For setting the minute minder
- For automatically switching a cooking zone off

You can use the functions simultaneously.

A duration of between 1 min (01) and 99 min (99) can be set.

Durations are entered in the order of minutes in tens and then units.

Durations are entered using the numerical display.

Examples:

59 minutes = entry: 5-9

80 minutes = entry: 8-0

After the first number has been entered, the timer display will light up constantly. After the second number has been entered, the first number will move to the left.

Minute minder

Setting the minute minder

- Touch the timer display.

The timer display flashes.

- Set the required duration.

Wait 10 seconds to start the minute minder.

Changing the minute minder duration

- Touch the timer display.

The timer display flashes.

- Set the required duration.

Deleting the minute minder duration

- Touch the timer display.

- Touch 0 on the numerical display.

Auto switch off

You can set a time after which a cooking zone will switch off automatically. This function can be used for all cooking zones at the same time.

If the time programmed is longer than the maximum operating time allowed, the cooking zone will be switched off by the safety switch-off function (see “Safety features – Safety switch-off”).

Setting the switch-off time

- Select a power level for the cooking zone you require.
- Touch the timer display repeatedly until the allocation indicator light for this cooking zone starts to flash.

If several cooking zones are being used, the indicator lights flash in a clockwise direction, starting with the front left zone.

The cooking zone allocation auto switch off indicator light for this cooking zone flashes.

- Set the required duration.

Wait 10 seconds, then the switch-off time will start.

The indicator light for the cooking zone will light up constantly.

- To set a switch-off time for another cooking zone, follow the same steps as described above.

If more than one switch-off time is programmed, the shortest time left will be displayed, and the corresponding indicator light will flash. The other indicator lights will light up constantly.

- If you want to show the time left for another cooking zone which is counting down in the background, touch the timer display repeatedly until the indicator light for the zone you require flashes.

Changing the switch-off time

- Touch the timer display repeatedly until the indicator light for the required cooking zone starts flashing.

The timer display flashes.

- Set the required duration.

Deleting the switch-off time

- Touch the timer display repeatedly until the indicator light for the required cooking zone starts flashing.

The timer display flashes.

- Touch  on the numerical display.

Timer

Using both timer functions at the same time

If you have programmed in one or more switch-off times, and would like to use the minute minder as well:

- Touch the timer display repeatedly until the indicator lights of the programmed cooking zones light up constantly and **00** starts flashing in the timer display.
- Set the time as described above.

If you have set the minute minder and would like to programme in one or more switch-off times as well:

- Touch the timer display repeatedly until the indicator light for the required cooking zone starts flashing.
- Set the time as described above.

Shortly after the last entry, the timer display switches to the function with the shortest time left.

If you want to show the times left counting down in the background:

- Touch the timer display repeatedly until
 - The indicator light for the desired cooking zone flashes (auto switch off)
 - The timer display flashes (minute minder)

Starting with the shortest duration, the display will show the time left for all active cooking zones and for the minute minder in a clockwise direction.

Stop & Go

When Stop & Go is activated, the power level of all cooking zones in use is reduced to power level 1.

The cooking zone power levels and the timer settings cannot be altered; the hob can only be switched off. The minute minder, switch-off times and heat-up boost times continue to run. When Stop & Go is deactivated, the cooking zones will operate at the power level previously selected.

If the function is not deactivated within 1 hour, the hob will switch off.

Activating/Deactivating

- Touch the II/▶ sensor control.

Use this function when the sensors need to be cleaned quickly.

Recall

If the hob is switched off by mistake during use, this function can be used to reset all settings. For this to work, the hob must be switched on again within 10 seconds of being switched off.

- Switch the hob on again.
- Immediately after switching the hob on, touch one of the flashing cooking zone sensor controls.

Additional functions

Demonstration mode

This function enables the hob to be demonstrated in showrooms without heating up.

Activating/deactivating demonstration mode

- Switch the hob on.
- Touch and hold the 0 and 2 sensor controls on the numerical keybank at the same time for 6 seconds.

In the timer display, *dE* flashes alternately with *0n* (demonstration mode activated) or *0F* (demonstration mode deactivated) for a few seconds.

Displaying hob data

The model number and software version of the hob can be displayed. There must not be any pots or pans on the hob.

Model number/Serial number

- Switch the hob on.
- Touch and hold the 0 and 4 sensor controls on the numerical keybank at the same time for 6 seconds.

Numbers will appear, one after the other, in the timer display separated by a dash.

Example: *12 34* (Model number KM 1234) – *1 23 45 67 89* (Serial number)

Software version

- Switch the hob on.
- Touch and hold the 0 and 3 sensor controls on the numerical keybank at the same time for 6 seconds.

Numbers will flash on and off, one after the other, in the timer display:

Example: *12* flashing alternately with *3* = Software version 123

System lock / Safety lock

Your hob is equipped with a system lock and a safety lock to prevent the hob and the cooking zones being switched on or any settings being altered by mistake.

The **system lock** is activated when the hob is switched off. If the system lock is activated, the hob cannot be switched on and the timer cannot be used. A set minute minder time continues to count down. The hob is programmed so that the system lock must be activated manually. The system lock can be programmed to be activated automatically 5 minutes after the hob has been switched off (see “Programming”).

The **safety lock** is activated when the hob is switched on. When the lock is activated, the hob can be operated only under certain conditions:

- The cooking zones and the hob can only be switched off.
- A set minute minder time can be modified.

If an unavailable sensor control is touched whilst the system lock or safety lock is activated, *LL* will appear in the timer display for few seconds and a tone will sound.

Activating the system lock

- Touch the  sensor for 6 seconds.



The seconds can be seen counting down in the timer display. When this time has elapsed *LL* will appear in the timer display. The system lock has been activated.

Deactivating the system lock

- Touch the  sensor for 6 seconds.



LL will appear briefly in the timer display and then the seconds will be seen counting down. The system lock is deactivated once the time has elapsed.

Activating the safety lock

- Touch and hold the  and  sensors at the same time for 6 seconds.

The seconds can be seen counting down in the timer display. When this time has elapsed *LL* will appear in the timer display. The safety lock is activated.

Deactivating the safety lock

- Touch and hold the  and  sensors at the same time for 6 seconds.

LL will appear briefly in the timer display and then the seconds will be seen counting down. Once the time has elapsed, the lock function is deactivated.

Safety features

Safety switch-off

Safety switch-off if the sensors are covered

Your hob will switch off automatically if one or several of the sensors remain covered for longer than 10 seconds, for example, by finger contact, food boiling over or by an object such as an oven glove or tea towel. *F* will appear in the timer display for a few seconds. If the ① sensor is affected, *F* will light up until the object or soiling has been removed.

F will go out once you have removed the object or cleaned the hob and the hob will be ready to use again.

Excessive operating time

The safety switch-off mechanism is triggered automatically if a cooking zone is heated for an unusually long period of time. This time depends on the power level selected. If it has been exceeded, the cooking zone switches off and the residual heat indicator appears. If you switch the cooking zone on and off again, it is ready for operation again.

The hob is programmed to safety setting 0 at the factory. If necessary, a higher safety setting with a shorter maximum operating time can be set (see chart).

Power level*	Maximum operating time [h:min]		
	Safety setting		
	0**	1	2
1	10:00	8:00	5:00
1.	10:00	7:00	4:00
2/2.	5:00	4:00	3:00
3/3.	5:00	3:30	2:00
4/4.	4:00	2:00	1:30
5/5.	4:00	1:30	1:00
6/6.	4:00	1:00	0:30
7/7.	4:00	0:42	0:24
8	4:00	0:30	0:20
8.	4:00	0:30	0:18
9	1:00	0:24	0:10

* The power levels with a dot after the number are only available if the power level range has been extended (see "Setting range").

** Factory default setting

Overheating protection

Each cooking zone is equipped with overheating protection (internal temperature limiter). This switches off the cooking zone heating element automatically before it overheats. As soon as the cooking zone temperature has cooled sufficiently, heating is switched on again automatically.

The overheating protection may be activated under the following circumstances:

- No cookware is present on the activated cooking zone.
- The cookware being heated is empty.
- The base of the cookware is not sitting evenly on the cooking zone.
- The cookware is not conducting heat properly.

You can tell that the overheating protection has activated because the heating element switches on and off even when the highest power level is selected.

Programming

You can adapt the programming of the hob to your personal needs. Several settings can be altered in succession.

After accessing programming mode, *P* (Programme) and *C* (Code) will appear in the timer display, and the indicators for 2 cooking zones.

The programme is shown in the left hand cooking zone display, and the code in the right hand cooking zone display. From programme stage 10 the numbers appear alternately: *1* flashes alternately with *0*.

Changing the programming

Accessing programming mode

- With the hob **switched off** press both the $\text{\textcircled{1}}$ and $\text{II/}\blacktriangleright$ sensor controls, until *P**C* appears in the timer display and 2 cooking zone displays light up.

Setting the programme

- First touch the **left-hand** cooking zone display and then touch the relevant number on the numerical keybank.

A dot will start to flash next to the number.

- Whilst the dot is flashing, press the relevant number(s) on the numerical keybank for the programme number.

Setting the code

- First touch the **right-hand** cooking zone display and then touch the relevant number on the numerical keybank.

A dot will start to flash next to the number.

- Whilst the dot is flashing, press the relevant number(s) on the numerical keybank for the code.

Saving the settings

- Touch the $\text{\textcircled{1}}$ sensor control until the indicators go out.

Programming

Programme ¹		Code ²	Settings
1	Demo mode	0	Demo mode off
		1	Demo mode on ³
3	Factory default setting	0	Do not restore factory default settings
		1	Restore factory default settings
4	Number of cooking zone power levels	0	9 power levels + Booster
		1	17 power levels + Booster ⁴
6	Audible tone when a sensor control is touched	0	Off ⁵
		1	Quiet
		2	Medium
		3	Loud
7	Timer buzzer	0	Off
		1	Quiet
		2	Medium
		3	Loud
8	System lock	0	System lock can only be activated manually
		1	System lock activated automatically
9	Maximum operating time	0	Safety setting 0
		1	Safety setting 1
		2	Safety setting 2

Programming

Programme ¹		Code ²	Settings
12	Sensor controls reaction speed	0	Slow
		1	Normal
		2	Fast

¹ Unlisted programmes are not assigned.

² The factory-set code is shown in bold.

³ After the hob has been switched on *dE* appears in the timer display for a few seconds.

⁴ In the text and charts, the extended power levels are shown with a dot after the number for better understanding.

⁵ The audible tone for the On/Off sensor control cannot be switched off.

Test food acc. to EN 60350-2

9 power levels are programmed at the factory.

For testing in accordance with the above standard, programme the hob to the extended power level setting.

Test food	Ø Pan base (mm)	Lid	Power level	
			Pre-heat	Cooking
Heating oil up	150	No	–	1–2
Pancakes	180 (Sandwich base)	No	7	5.–7
Frying deep frozen chips	According to the standard	No	9	9

Cleaning and care



Risk of burning due to hot cooking zones.

The cooking zones will be hot after use.

Switch the hob off.

Allow the cooking zones to cool down before cleaning the hob.



Risk of damage due to moisture ingress.

The steam from a steam cleaning appliance could reach live electrical components and cause a short circuit.

Do not use a steam cleaner to clean the hob.

All surfaces could be discoloured or damaged if unsuitable cleaning agents are used. All surfaces are susceptible to scratching.

Remove all cleaning agent residues immediately.

Never use abrasive sponges or cleaning agents.

Allow the hob to cool down before cleaning.


- Clean the hob after every use.
- Dry the hob thoroughly after cleaning with water to avoid limescale residue.

Unsuitable cleaning agents

To avoid damaging the surfaces of the appliance, do not use:

- washing-up liquid
- cleaning agents containing soda, alkalines, ammonia, acids or chlorides
- cleaning agents containing descaling agents
- stain and rust removers
- abrasive cleaning agents, e.g. powder cleaners and cream cleaners
- solvent-based cleaning agents
- dishwasher cleaner
- oven sprays
- glass cleaning agents
- hard, abrasive brushes or sponges (e.g. pot scourers) or sponges which have been previously used and still contain abrasive cleaning agents
- melamine eraser blocks

Cleaning the ceramic surface

 Risk of damage by pointed objects.

The seal between the hob and the worktop could suffer damage.

The seal between the ceramic surface and the frame could suffer damage.

Do not use pointed objects for cleaning.


Not all soiling and residues can be removed using a solution of washing-up liquid. An invisible film can develop that can lead to discolouration of the glass ceramic surface. This discolouration cannot be removed.

Clean the ceramic surface regularly with a proprietary ceramic glass cleaning agent.

- Remove any coarse soiling with a damp cloth and more stubborn soiling with a shielded scraper blade suitable for use on glass.
- Then clean the ceramic glass surface with the Miele ceramic and stainless steel hob cleaner (see “optional accessories”) or with a proprietary ceramic glass cleaner applied with kitchen paper or a clean cloth. Do not apply the cleaner while the hob is still hot, as this can result in marking. Please follow the cleaning agent manufacturer's instructions.
- Finally wipe the glass ceramic surface with a damp cloth and polish with a soft, dry cloth.

Residues can burn onto the hob the next time it is used and cause damage to the glass ceramic surface. Ensure that all cleaning agent residues are removed.

- **Spots** caused by limescale, water and aluminium residues (spots with a metallic appearance) can be removed using Miele's ceramic and stainless steel hob cleaner.

 Risk of burning due to hot cooking zones.

The cooking zones are hot during use.

Wear oven gloves when removing residues of sugar, plastic or aluminium foil from a hot ceramic surface with a shielded scraper blade.

- Should any **sugar, plastic or aluminium foil** spill or fall onto the hot ceramic surface while it is in use, switch off the cooking zone.
- Then carefully scrape off these residues **immediately** whilst they are still hot, using a scraper blade suitable for use on glass.
- Afterwards, clean the ceramic surface in its cooled state, as described above.

Problem solving guide

Many malfunctions and faults that can occur in daily operation can be easily remedied. Time and money will be saved because a service call will not be needed.

The following guide may help you to find the reason for a malfunction or a fault, and to correct it.

Messages in the display

Problem	Cause and remedy
After the hob has been switched on <i>LL</i> appears in the timer display for a few seconds.	The system lock or safety lock is activated. ■ Deactivate the system lock or safety lock (see “System lock / Safety lock”).
After the hob has been switched on <i>dE</i> appears in the timer display briefly. The cooking zones do not heat up.	The hob is in demonstration mode. ■ Touch the 0 and 2 sensor controls at the same time until <i>dE</i> flashes alternately with <i>DF</i> in the timer display.
<i>F</i> flashes in the timer display and the hob switches off automatically.	One or more of the sensor controls are covered, e.g. by finger contact, food boiling over or an object. ■ Clean off any dirt and/or remove the object (see “Safety switch-off”).

Unexpected behaviour

Problem	Cause and remedy
The heating element for one of the cooking zones switches on and off.	This “timing” of the element is normal. It is caused by the electronic temperature control (see “How the cooking zones work”). If the heating switches on and off at the highest power level, the overheating protection has been triggered (see “Overheating protection”).
A cooking zone switches off automatically.	It has been operated for too long. ■ You can use the cooking zone again by switching it back on (see “Safety switch-off”).
One or more residual heat indicators are flashing.	There was an interruption to the power supply during operation or when residual heat was present.

Problem solving guide

Unsatisfactory results

Problem	Cause and remedy
The food in the pan does not heat up when the Auto heat-up function is switched on.	A large amount of food is being heated up. ■ Start cooking at the highest power level and then turn down to a lower one manually later on.
	The pan is not conducting heat properly. ■ Use a different pot or pan which conducts heat properly.
The food in the pan is barely heating up or is not heating up at all.	The pan is not conducting heat properly. ■ Use a different pot or pan which conducts heat properly.
	The pan is too large for the cooking zone. ■ Use a smaller pan.
	The outer ring of a double or extended cooking zone is not switched on. ■ Switch the outer ring on.

General problems or technical faults

Problem	Cause and remedy
The hob or cooking zones will not switch on.	<p>There is no power to the hob.</p> <ul style="list-style-type: none">■ Check whether the mains fuse has tripped. Contact an electrician or Miele Service (for the minimum fuse rating, see data plate).
	<p>There may be a technical fault.</p> <ul style="list-style-type: none">■ Disconnect the appliance from the mains electricity supply for approx. 1 minute by<ul style="list-style-type: none">– tripping the relevant mains fuse or screwing the fuse out completely, or– switching off at the residual current device.■ If, after resetting the trip switch in the mains fuse box or the residual current current device, the appliance will still not turn on, contact a qualified electrician or Miele Service.
A smell and vapours are given off when the new hob is being used.	<p>The metal components have a protective coating. When the hob is used for the first time, this causes a smell and possibly also vapour. The smell and any vapours given off do not indicate a faulty connection or appliance and they are not hazardous to health.</p>

Optional accessories

Miele offer a comprehensive range of useful accessories as well as cleaning and conditioning products for your Miele appliances.

These products can be ordered through the Miele Webshop.

They can also be ordered from Miele (see end of this booklet for contact details) or from your Miele dealer.

Cleaning and care products

Ceramic and stainless steel hob cleaner 250 ml

Removes heavy soiling, limescale deposits and aluminium residues.

Microfibre cloth

For removing finger marks and light soiling.

Contact in the event of a fault

In the event of any faults which you cannot remedy yourself, please contact your Miele dealer or the Miele Customer Service Department.

You can book a Miele Customer Service Department call-out online at www.miele.com/service.

Contact information for the Miele Customer Service Department can be found at the end of this document.

Please quote the model identifier and serial number of your appliance (Fabr./SN/ Nr.) when contacting the Miele Customer Service Department. This information can be found on the data plate.

Please note that telephone calls may be monitored and recorded for training purposes and that a call-out charge will be applied to service visits where the problem could have been resolved as described in this booklet.

Data plate

Stick the extra data plate supplied with the appliance here. Make sure that the model number matches the one specified on the back cover of this document.


Warranty


For information on the appliance warranty specific to your country please contact Miele. See back cover for address.


In the UK, your appliance warranty is valid for 2 years from the date of purchase. However, you must activate your cover by calling 0330 160 6640 or registering online at www.miele.co.uk.

Installation

Safety instructions for installation

 Risk of damage from incorrect connection.
Incorrect installation can cause damage to the hob.
The hob must only be installed by a qualified person.

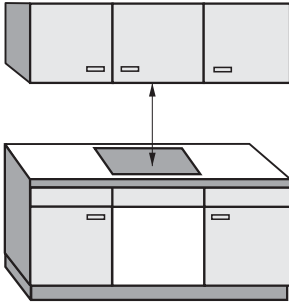
 Risk of electric shock from mains voltage.
Incorrect connection to the mains supply may result in an electric shock.
The hob must be connected to the electrical supply by a qualified electrician only.

 Damage from falling objects.
Take care not to damage the hob when fitting wall units or a cooker hood above it.
Fit the wall units and the cooker hood before the hob.

- ▶ The veneer or laminate coatings of worktops (or adjacent kitchen units) must be treated with 100 °C heat-resistant adhesive which will not dissolve or distort. Any backmoulds must be of heat-resistant material.
- ▶ The hob must not be installed over a fridge, fridge-freezer, freezer, dishwasher, washing machine, washer-dryer or tumble dryer.
- ▶ After installation, ensure that nothing can come into contact with the connection cable and that it is without hindrance.
- ▶ The electrical cable may not come into contact with any moving kitchen component (e.g. a drawer) or be subject to mechanical obstruction which could damage it.
- ▶ Observe carefully the safety clearances listed on the following pages.

Safety distances

Safety distance above the hob



The safety distance specified by the manufacturer of the cooker hood must be maintained between the hob and the cooker hood above it.

If combustible objects are installed above the hob (e.g., cabinets, utensil rail, etc.), a minimum safety distance of 600 mm must be maintained.

When two or more appliances which have different safety distances are installed together below a cooker hood, you should observe the greatest specified safety distance.

Installation

Safety distances to the sides and back of the appliance

It is advisable to install the hob with plenty of space either side of it.

The minimum distance ① shown below must be maintained between the back of the hob and a tall unit or wall.

The minimum distance ②, ③ shown below must be maintained between a tall unit or a wall to the left or right of the hob with a minimum distance of 300 mm on the opposite side.

① Minimum distance between the **back** of the worktop cut-out and the rear edge of the worktop:
50 mm

② Minimum distance on the **right** side between the worktop cut-out and the closest adjacent piece of furniture (e.g. tall unit) or a room wall:

50 mm KM 6522/6527

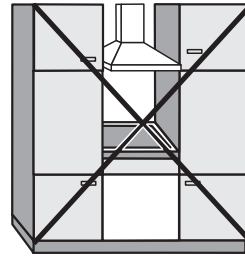
70 mm KM 6520

③ Minimum distance between the worktop cut-out and a wall, tall unit or rear wall to the **left** of it:

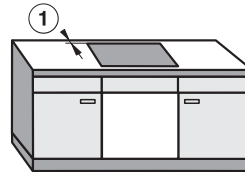
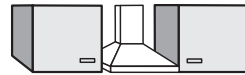
50 mm KM 6520/6522

70 mm KM 6527

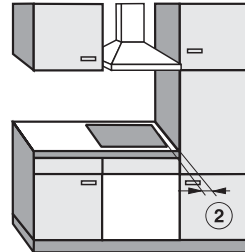
100 mm KM 6521/6523



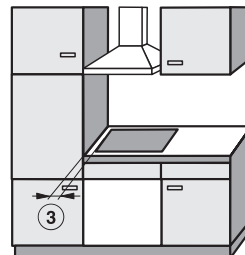
Not allowed



Highly recommended



Not recommended



Not recommended

Interim shelf

It is not necessary to fit an interim shelf underneath the hob but one may be fitted if you wish.

If an interim shelf is fitted under the hob, there must be a minimum gap of 110 mm between the top of the worktop and the top of the shelf.

A gap of 10 mm should be left at the back of the shelf to accommodate the cable. For hobs with an external mains connection box, this gap must be at least 30 mm.

Installation

Safety distance when installing the appliance near a wall with additional niche cladding

A minimum safety distance must be maintained between the worktop cut-out and any niche cladding to protect it from heat damage.

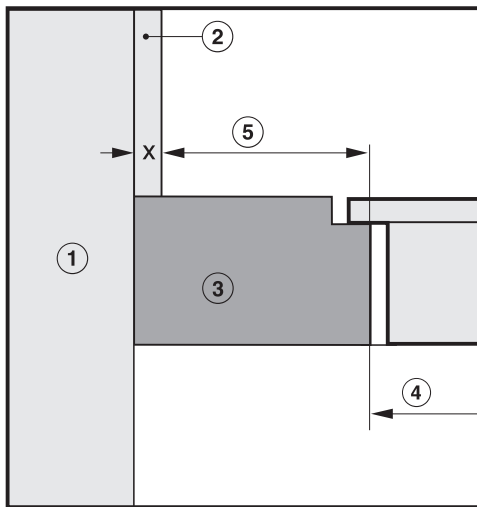
If the niche cladding is made from a combustible material (e.g. wood) a minimum safety distance ⑤ of 50 mm must be maintained between the cut-out and the cladding.

If the niche cladding is made from a non-combustible material (e.g. metal, natural stone, ceramic tiles) the minimum safety distance ⑤ between the cut-out and the cladding will be 50 mm less the thickness of the cladding.

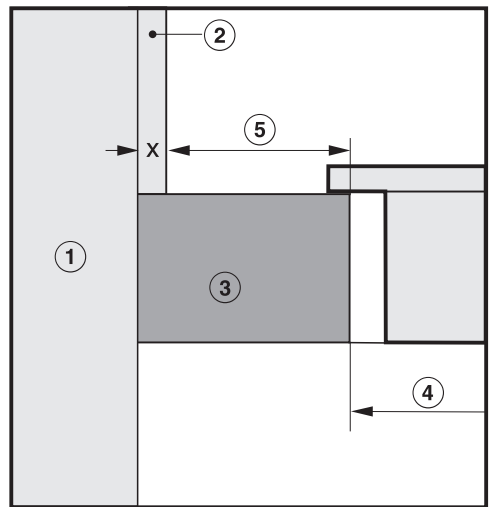
Example: 15 mm niche cladding

50 mm - 15 mm = minimum safety distance of 35 mm

Flush-fitted hobs



Hob with frame or bevelled edge

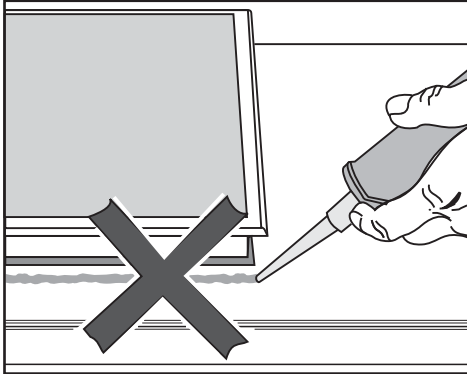



- ① Masonry
- ② Niche cladding dimension x = thickness of the niche cladding material
- ③ Worktop
- ④ Worktop cut-out
- ⑤ Minimum distance to
 - combustible** materials 50 mm
 - non-combustible** materials 50 mm - dimension x

Installation notes

Surface-mounted installation

Seal between the hob and the worktop



 Damage caused by incorrect installation.

Using sealant under the hob could result in damage to the hob and the worktop if the hob ever needs to be removed for servicing.

Do not use sealant between the hob and the worktop.

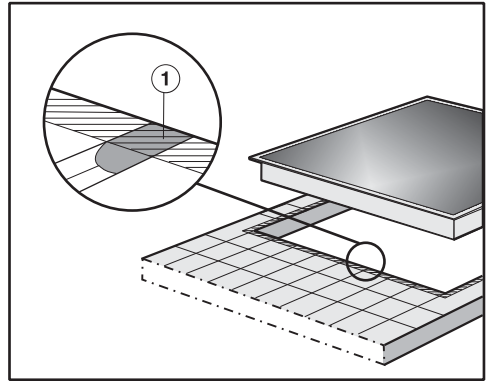
The sealing strip under the edge of the hob provides a sufficient seal for the worktop.

Sealing strip

Dismantling the hob for service purposes may damage the sealing strip underneath the edge of the hob.

Always replace the sealing strip before reinstalling the hob.

Tiled worktops



Grout lines ① and the hatched area underneath the hob frame must be smooth and even. If they are not the hob will not sit flush with the worktop and the sealing strip underneath the hob will not provide a good seal between the hob and the worktop.

Installation

Flush-fit installation

A flush-fit hob is suitable only for installation in natural stone (granite, marble), solid wood and tiled worktops. Certain models are also suitable for building into glass worktops – these are marked with an appropriate note in “Installation – Installation dimensions – flush-fit”. When using a worktop made from any other material, please check first with the worktop manufacturer that it is suitable for installing a flush-fit hob.

The internal width of the base unit underneath the appliance must be at least as wide as the inner worktop cut-out (see “Installation – Installation dimensions – flush fit”), so that the hob is easily accessible from underneath after installation and the casing can be removed for maintenance. If the underside of the hob is not freely accessible after installation, any sealant used must be removed to enable the hob to be lifted out of the cut-out should this be necessary.

Natural stone worktops

The hob is set directly in the cut-out.

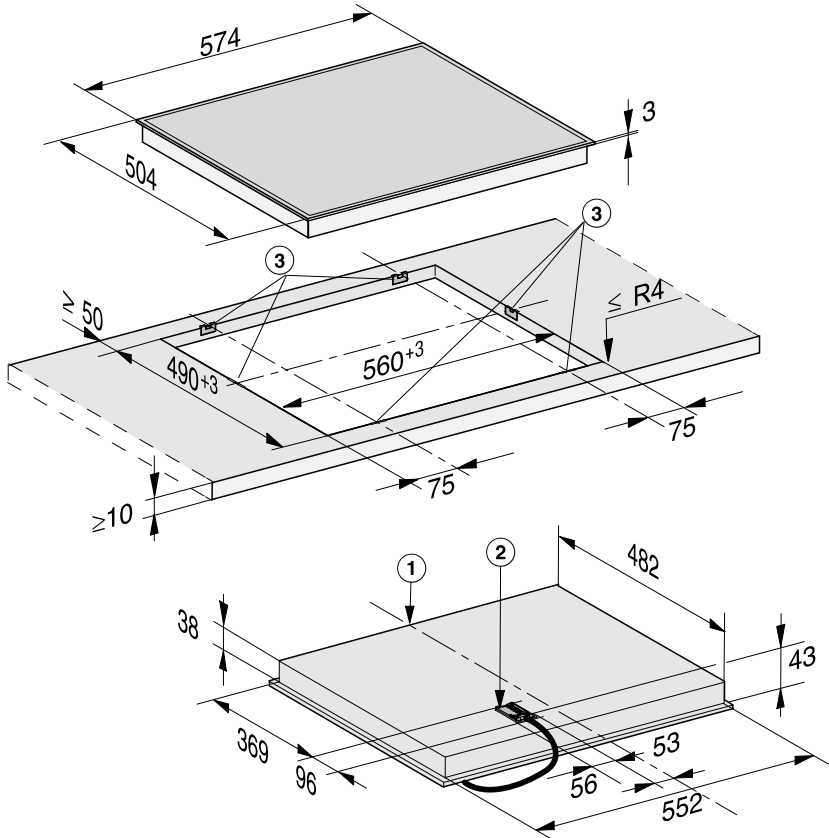
Solid wood worktops, tiled worktops, glass worktops

The hob is secured inside the cut-out with wooden battens. The battens must be provided on site, and are not supplied with the appliance.

Installation dimensions – Surface-mounted

All dimensions are given in mm.

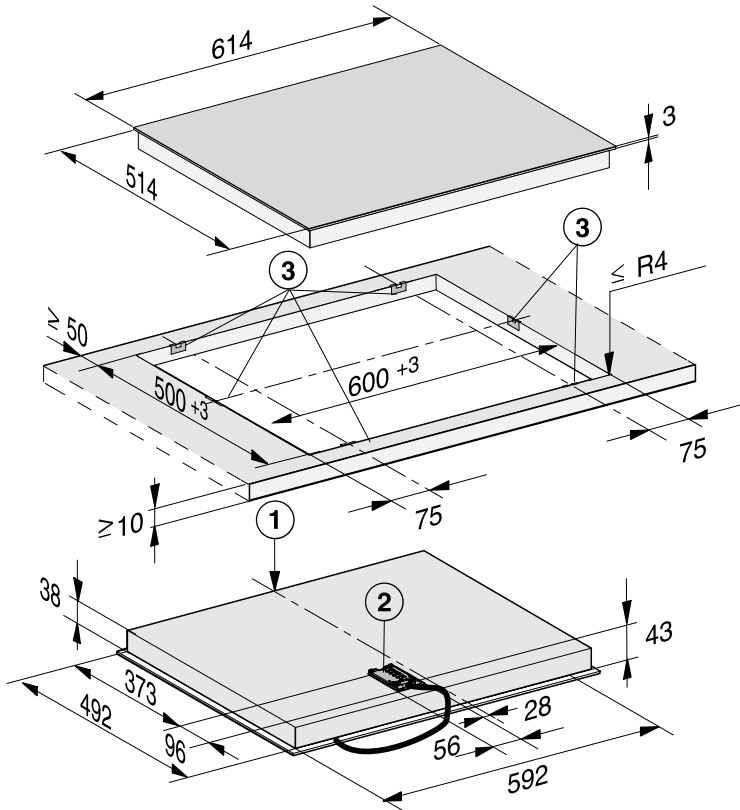
KM 6520 FR



- ① Front
- ② Mains connection box with mains connection cable
Mains connection cable L = 1440 mm
- ③ Wiring harness, L = 1550 mm
- ④ Spring clamps

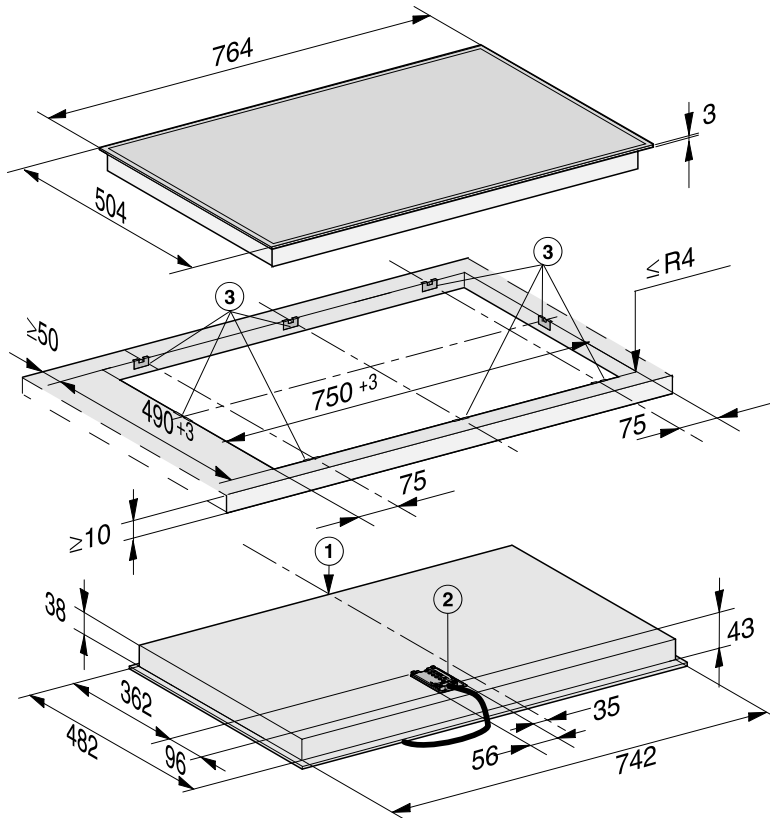
Installation

KM 6521 FR



- ① Front
- ② Mains connection box with mains connection cable
Mains connection cable L = 1440 mm
- ③ Spring clamps

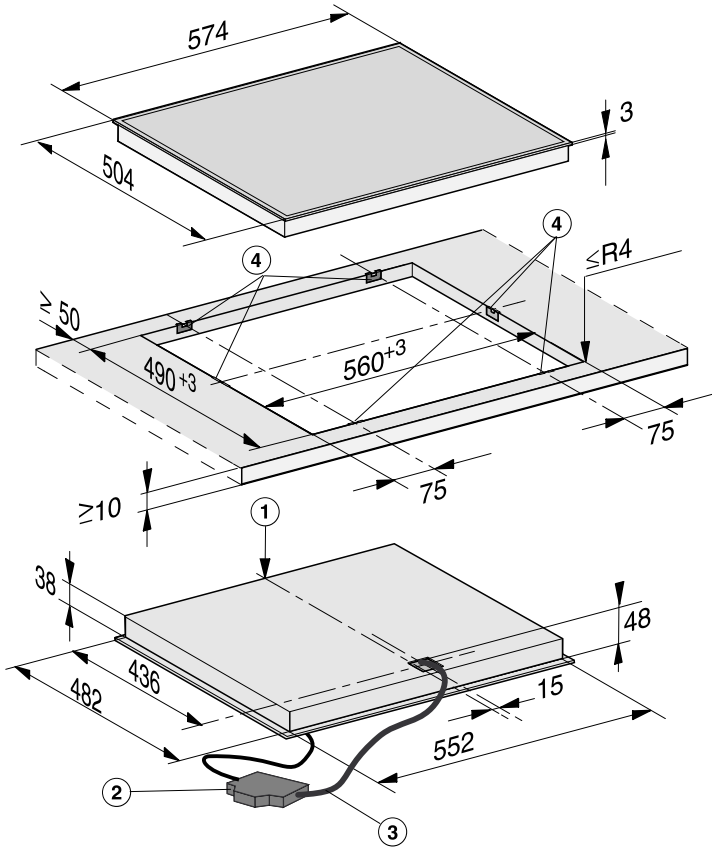
KM 6522 FR



- ① Front
- ② Mains connection box with mains connection cable
Mains connection cable L = 1440 mm
- ③ Spring clamps

Installation

KM 6527 FR



- ① Front
- ② Mains connection box with mains connection cable
Mains connection cable L = 1440 mm
- ③ Wiring harness, L = 1550 mm
- ④ Spring clamps

Surface-mounted installation

Preparing the worktop

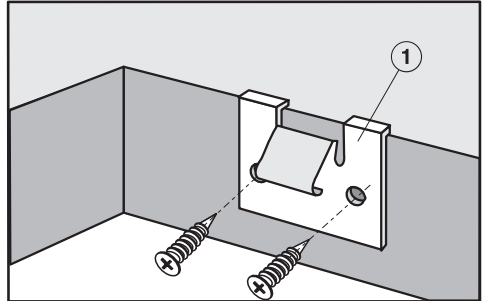
- Create the worktop cut-out.
Remember to maintain the minimum safety distances (see “Installation – Safety distances”).
- Seal any cut surfaces on **wooden worktops** with a special varnish, silicone sealant or resin to prevent the wood from swelling as a result of moisture ingress. The sealant must be heat-resistant.

Make sure that the sealant does not come into contact with the top of the worktop.

The seal under the appliance ensures that the hob will sit securely in the cut-out without slipping. Any gap between the appliance frame and worktop will become smaller over time.

Securing the spring clamps – wooden worktops

The exact positioning of the spring clamps is shown in the individual hob diagrams.



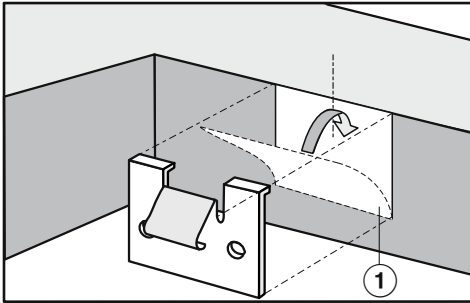
- Position the spring clamps ① on the top edge of the cut-out in the positions shown in the hob illustration.
- Fasten the spring clamps ① using the 3.5 x 25 mm wood screws supplied with the appliance.

Installation

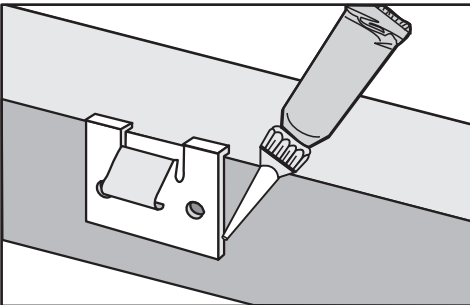
Securing the spring clamps – natural stone worktops

You will need heavy-duty double-sided adhesive tape (not included with the hob) to fasten the spring clamps.

The exact positioning of the spring clamps is shown in the individual hob diagrams.



- Attach the adhesive tape ① along the top edge of the cut-out in the positions shown in the hob illustration.
- Position the spring clamps on the top edge of the cut-out and press them firmly into place.



- Coat the side edges and the lower edge of the spring clamps with silicone.

Install the hob

- Feed the mains connection cable for the hob down through the worktop cut-out.
- Position the hob in the worktop cut-out.
- Using both hands, press down evenly on the sides of the hob until it clicks into position. When doing this make sure that the seal of the appliance sits flush with the worktop on all sides. This is important to ensure an effective seal all round.

If the seal does not meet the worktop correctly on the corners, the corner radius ($\leq R4$) can be carefully scribed to suit.

Do not use any additional sealant (e.g. silicone) on the hob.

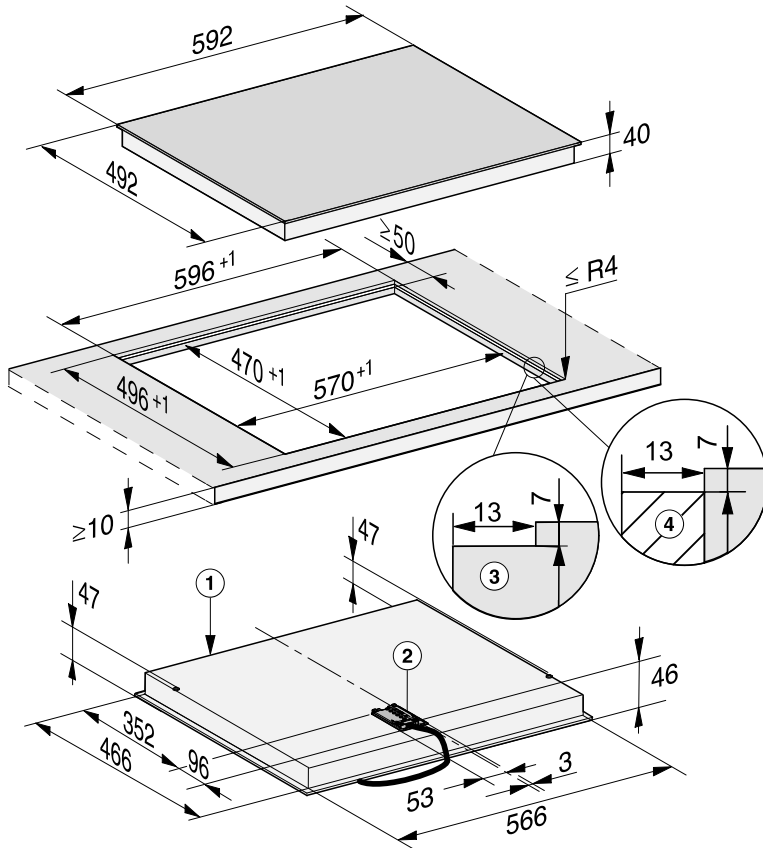
- Connect the hob to the mains.
- Check that the hob works.

The hob can only be removed using a special tool.

Installation dimensions – Flush-fit

All dimensions are given in mm.

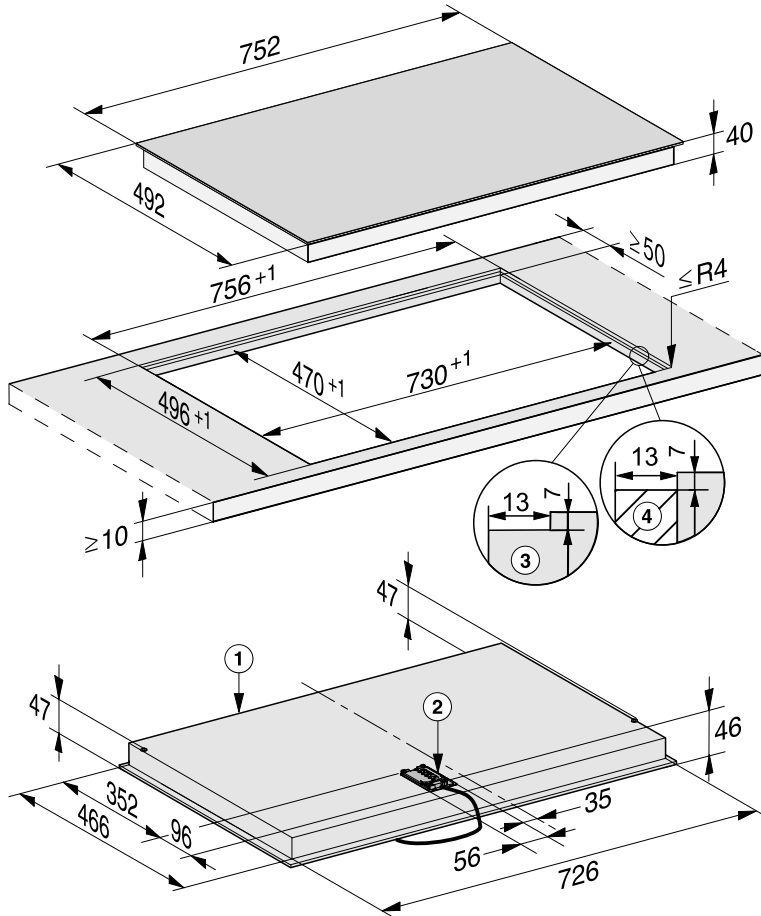
KM 6520 FL



- ① Front
- ② Mains connection box with mains connection cable
Mains connection cable L = 1440 mm
- ③ Stepped cut-out, natural stone worktop
- ④ Wooden batten 13 mm (not supplied)

Installation

KM 6523 FL




- ① Front
- ② Mains connection box with mains connection cable
Mains connection cable L = 1440 mm
- ③ Stepped cut-out, natural stone worktop
- ④ Wooden batten 13 mm (not supplied)

Flush-fit installation

- Create the worktop cut-out.
Remember to maintain the minimum safety distances (see “Installation – Safety distances”).
- Solid wood, tiled and glass worktops:
Fix a wooden frame 7 mm below the top edge of the worktop (see the diagram in “Installation” – “Installation dimensions – Flush-mounted”).
- Feed the mains connection cable for the hob down through the worktop cut-out.
- Centre the hob in the cut-out.


The gap between the ceramic glass surface and the worktop must be at least 2 mm wide. This is required so that the hob can be sealed.

- Connect the hob to the power supply.
- Check that the hob works.
- Seal the gap between the hob and worktop with a silicone sealant that is heat-resistant to at least 160 °C.

 **Damage from unsuitable sealant.**
Unsuitable sealant can damage natural stone.
For natural stone worktops and natural stone tiles, only use silicone sealant that is specially formulated for natural stone. Follow the manufacturer’s instructions.

Installation

Electrical connection

 Risk of damage from incorrect connection.

Unauthorised installation, maintenance and repairs can cause considerable danger for the user. Miele cannot be held liable for damage or injury caused by unauthorised installation, maintenance or repair work, or by an inadequate or faulty on-site earthing system (e.g. electric shock).

This hob must be connected to the electrical supply by a qualified electrician.

The electrician must be familiar with and comply with the national regulations and any additional regulations of the local electricity provider (e.g. BS 7671 in the UK).

After installation, ensure that all electrical components are shielded and cannot be accessed by users.

Total power rating

See data plate

Connection data

The connection data is quoted on the data plate. Please ensure these match the household mains supply.

Please see wiring diagrams for connection. (N.B. This appliance is supplied single phase only in the UK / AUS / NZ).

Residual current device

For extra safety, it is advisable to protect the appliance with a suitable residual current device (RCD) with a trip range of 30 mA.

WARNING

THIS APPLIANCE MUST BE EARTHED

Disconnecting devices

It must be possible to disconnect the hob from the mains at all poles using disconnecting devices. A contact distance of at least 3 mm must be observed in the switched-off state. The disconnecting devices are overcurrent protection devices and residual current protection devices.

Disconnecting from the mains



Risk of electric shock.

There is a risk of electric shock if the appliance is connected to the mains supply during repair or service work. After disconnection, ensure the appliance cannot be switched back on by mistake.

To disconnect the appliance from the mains power supply, do one of the following depending on installation:

Safety fuses

- Completely remove fuses.

Automatic circuit breakers

- Press the (red) test button until the middle (black) button springs out.

Built-in circuit breakers

- Circuit breakers at least type B or C:
Switch the lever from 1 (on) to 0 (off).

Residual current device (RCD)

- Switch the main switch from 1 (on) to 0 (off) or press the test button.

Mains connection cable

The hob must be connected to the electrical supply with a special connection cable, type H 05 VV-F (PVC insulated) with a suitable diameter.

Please see wiring diagram for connection. (N.B. This appliance is supplied single phase only in the UK / AUS / NZ).

See the data plate on the hob for the correct voltage and frequency.

Replacing the mains connection cable



Risk of electric shock.

Incorrect connection to the power supply may result in an electric shock.

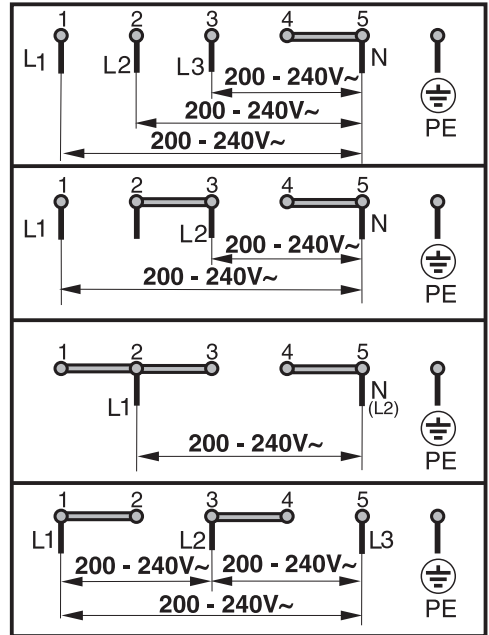
The mains cable must only be replaced by a qualified electrician.

When replacing the mains cable only use cable type H 05 VV-F with a suitable cross section. A suitable connection cable is available to order from Miele.

Installation

Wiring diagram

Some connection methods are not permitted in all installation locations. Ensure compliance with national regulations and any additional regulations issued by the local electricity provider.



The following data sheets apply to the models described in this operating instruction manual.

Information for domestic electric hobs

In acc. with regulation (EU) No. 66/2014

MIELE	
Model name / identifier	KM 6520
Number of cooking zones and/or areas	4
For circular cooking zones: diameter of useful surface area/cooking zone For non-circular cooking zones or areas: length and width of useful surface area per electric cooking zone or area	1. = Ø 180 mm 2. = Ø 160 mm 3. = Ø 120 / Ø 210 mm 4. = Ø 145 mm 5. = 6. =
Energy consumption per cooking zone or area calculated per kg (EC _{electric cooking})	1. = 190,9 Wh/kg 2. = 175,9 Wh/kg 3. = 187,7 Wh/kg 4. = 190,2 Wh/kg
Energy consumption for the hob calculated per kg (EC _{electric hob})	186,2 Wh/kg

Information for domestic electric hobs

In acc. with regulation (EU) No. 66/2014

MIELE	
Model name/identifier	KM 6521
Number of cooking zones and/or areas	
For circular cooking zones: diameter of useful surface area/cooking zone For non-circular cooking zones or areas: length and width of useful surface area per electric cooking zone or area	1. = Ø 120 / Ø 210 mm 2. = Ø 145 mm 3. = Ø 170 / 170x265 mm 4. = Ø 160 mm 5. = 6. =
Energy consumption per cooking zone or area calculated per kg (EC _{electric cooking})	1. = 190,9 Wh/kg 2. = 175,9 Wh/kg 3. = 187,7 Wh/kg 4. = 190,2 Wh/kg
Energy consumption for the hob calculated per kg (EC _{electric hob})	186,2 Wh/kg

Product data sheets

Information for domestic electric hobs

In acc. with regulation (EU) No. 66/2014

MIELE	
Model name / identifier	KM 6522
Number of cooking zones and/or areas	4
For circular cooking zones: diameter of useful surface area/cooking zone For non-circular cooking zones or areas: length and width of useful surface area per electric cooking zone or area	1. = Ø 120 / Ø 210 mm 2. = Ø 145 mm 3. = Ø 170 / 170x265 mm 4. = Ø 180 mm 5. = 6. =
Energy consumption per cooking zone or area calculated per kg (EC _{electric cooking})	1. = 188,6 Wh/kg 2. = 190,3 Wh/kg 3. = 174,9 Wh/kg 4. = 179,5 Wh/kg
Energy consumption for the hob calculated per kg (EC _{electric hob})	183,3 Wh/kg

Information for domestic electric hobs

In acc. with regulation (EU) No. 66/2014

MIELE	
Model name/identifier	KM 6523
Number of cooking zones and/or areas	
For circular cooking zones: diameter of useful surface area/cooking zone For non-circular cooking zones or areas: length and width of useful surface area per electric cooking zone or area	1. = Ø 120 / Ø 210 mm 2. = Ø 145 mm 3. = Ø 170 / 170x290 mm 4. = Ø 180 mm 5. = 6. =
Energy consumption per cooking zone or area calculated per kg (EC _{electric cooking})	1. = 190,9 Wh/kg 2. = 175,9 Wh/kg 3. = 187,7 Wh/kg 4. = 190,2 Wh/kg
Energy consumption for the hob calculated per kg (EC _{electric hob})	186,2 Wh/kg

Information for domestic electric hobs

In acc. with regulation (EU) No. 66/2014

MIELE	
Model name/identifier	KM 6527
Number of cooking zones and/or areas	3
For circular cooking zones: diameter of useful surface area/cooking zone For non-circular cooking zones or areas: length and width of useful surface area per electric cooking zone or area	1. = Ø 145 / Ø 210 / Ø 270 mm 2. = Ø 180 mm 3. = Ø 160 mm 4. = 5. = 6. =
Energy consumption per cooking zone or area calculated per kg ($EC_{\text{electric cooking}}$)	1. = 175,6 Wh/kg 2. = 191,1 Wh/kg 3. = 177,0 Wh/kg
Energy consumption for the hob calculated per kg ($EC_{\text{electric hob}}$)	181,2 Wh/kg

United Kingdom

Miele Co. Ltd., Fairacres, Marcham Road, Abingdon, Oxon, OX14 1TW

Tel: 0330 160 6600, Internet: www.miele.co.uk/service, E-mail: info@miele.co.uk

Australia

Miele Australia Pty. Ltd.

ACN 005 635 398

ABN 96 005 635 398

Level 4, 141 Camberwell Road

Hawthorn East, VIC 3123

Tel: 1300 464 353

Internet: www.miele.com.au

China Mainland

Miele Electrical Appliances Co., Ltd.

1-3 Floor, No. 82 Shi Men Yi Road
Jing' an District

200040 Shanghai, PRC

Tel: +86 21 6157 3500

Fax: +86 21 6157 3511

E-mail: info@miele.cn,

Internet: www.miele.cn

Hong Kong, China

Miele (Hong Kong) Ltd.

41/F - 4101, Manhattan Place

23 Wang Tai Road

Kowloon Bay, Hong Kong

Tel: (852) 2610 1025

Fax: (852) 3579 1404

Email:

customerservices@miele.com.hk

Website: www.miele.hk

India

Miele India Pvt. Ltd.

1st Floor, Copia Corporate Suites,
Commercial Plot 9,

Mathura Road, Jasola,

New Delhi - 110025

E-mail: customercare@miele.in

Website: www.miele.in

Ireland

Miele Ireland Ltd.

2024 Bianconi Avenue

Citywest Business Campus

Dublin 24

Tel: (01) 461 07 10

Fax: (01) 461 07 97

E-Mail: info@miele.ie

Internet: www.miele.ie

Malaysia

Miele Sdn Bhd

Suite 12-2, Level 12

Menara Sapura Kencana

Petroleum

Solaris Dutamas No. 1

Jalan Dutamas 1

50480 Kuala Lumpur, Malaysia

Phone: +603-6209-0288

Fax: +603-6205-3768

New Zealand

Miele New Zealand Limited

IRD 98 463 631

8 College Hill

Freemans Bay, Auckland 1011

New Zealand

Tel: 0800 464 353

Internet: www.miele.co.nz

Singapore

Miele Pte. Ltd.

29 Media Circle

#11-04 ALICE@Mediapolis

Singapore 138565

sTel: +65 6735 1191

Fax: +65 6735 1161

E-Mail: info@miele.com.sg

Internet: www.miele.sg

South Africa

Miele (Pty) Ltd.

63 Peter Place

Bryanston 2194

P.O. Box 69434

Bryanston 2021

Tel: (011) 875 9000

Fax: (011) 875 9035

E-mail: info@miele.co.za

Internet: www.miele.co.za

Thailand

Miele Appliances Ltd.

BHIRAJ TOWER at EmQuartier

43rd Floor Unit 4301-4303

689 Sukhumvit Road

North Klongton Sub-District

Vadhana District

Bangkok 10110, Thailand

United Arab Emirates

Miele Appliances Ltd.

Showroom 1

Eiffel 1 Building

Sheikh Zayed Road, Umm Al Sheif

P.O. Box 114782 - Dubai

Tel. +971 4 3044 999

Fax. +971 4 3418 852

800-MIELE (64353)

E-Mail: info@miele.ae

Website: www.miele.ae

Manufacturer: Miele & Cie. KG, Carl-Miele-Straße 29, 33332 Gütersloh, Germany

KM 6520 FR, KM 6520 FL, KM 6521 FR, KM 6522 FR,
KM 6523 FL, KM 6527 FR