



## Serie | 4

### Oven HBA513BS00, Stainless steel Oven



### The built-in oven with 3D hotair: achieve perfect baking and roasting results on up to three levels simultaneously.

- **3D hotair:** perfect results thanks to optimal distribution of heat on up to 3 levels simultaneously.
- **LED-display control, red:** easy-to-use thanks to the time functions.
- **GranitEnamel:** very easy to clean interior thanks to smooth surfaces and no sharp edges.

#### Technical Data

Color / Material Front :	Stainless steel
Built-in / Free-standing :	Built-in
Integrated Cleaning system :	No
Required niche size for installation (HxWxD) :	585-595 x 560-568 x 550
Dimensions of the product (mm) :	595 x 594 x 548
Dimensions of the packed product (HxWxD) (mm) :	675 x 690 x 660
Control Panel Material :	Stainless steel
Door Material :	Glass
Net weight (kg) :	32.517
Usable volume of cavity (l) :	71
Cooking method :	Conventional
heat, Full width grill, Hot Air, Hotair gentle, Hot air grilling	
First cavity material :	Other
Number of interior lights :	1
Approval certificates :	CE, VDE
Length electrical supply cord (cm) :	120
Interior Lights - cavity 1 :	1
Pull-out system :	Accessory
Clock function :	Alarm, Off, On
Included accessories cavity 1 :	1 x combination grid, 1 x universal pan, 1 x enamelled moussaka pan
Broil Element Wattages cavity 1 (W) :	2700
Convection Element Wattages cavity 1 (W) :	2200
Energy efficiency class (2010/30/EC) :	A
Energy consumption per cycle conventional (2010/30/EC) :	0.97
Energy consumption per cycle forced air convection (2010/30/EC) :	0.81
Energy efficiency index (2010/30/EC) :	95.3
Electrical connection rating (W) :	3400
Current (A) :	16
Voltage (V) :	220-240
Frequency (Hz) :	60; 50
Plug type :	Gardy plug w/ earthing
Color / Material Front :	Stainless steel
Energy input :	Electric
Approval certificates :	CE, VDE
Required cutout/niche size for installation (in) :	x x
Dimensions of the packed product (in) :	26.57 x 25.98 x 27.16
Net weight (lbs) :	72.000
Gross weight (lbs) :	76
Length electrical supply cord (cm) :	120
Net weight (kg) :	32.517
Gross weight (kg) :	35.0

#### Included accessories

- 1 x combination grid
- 1 x universal pan
- 1 x enamelled moussaka pan

#### Optional accessories

- HEZ317000 Pizza pan, grey enamelled, HEZ327000 Pizza stone,
- HEZ333001 Lid for professional pan, HEZ530000 Half tray,
- HEZ531000 Baking tray, grey enamelled, HEZ531010 Baking tray, non-stick ceramic coated, HEZ532000 Multipurpose pan, grey enamelled, HEZ532010 Universal pan, non-stick ceramic coated, HEZ533000 Professional pan, grey enamelled, HEZ538000 1fold telescopic rail, level independent, HEZ538200 2 level telescopic shelf rails, HEZ538S00 3fold telescopic rails, incl 1 level indep, HEZ625071 Grill tray, anthracite enamelled, HEZ633070 Professional pan, anthracite enamelled, HEZ634000 Baking and roasting grid (standard), HEZ636000 Glass pan, HEZ638200 2 level telescopic shelf rails, full ext, HEZ638300 3 level telescopic rails, full ext, HEZ660050 Cover Strip, HEZ9020 Conversion cabinet, HEZ9041 Conversion cabinet, HEZ915003 Glass roasting dish, 5,4 L, HEZG0AS00 Connecting cable 3m



4 242005 033676



**Serie | 4 Ovens**

**Oven**

**HBA513BS00, Stainless steel  
Oven**

**The built-in oven with 3D hotair: achieve perfect baking and roasting results on up to three levels simultaneously.**

**Dimensions:**

- Appliance dimension (hwxwd): 595 mm x 594 mm x 548 mm
- Niche dimension (hwxwd): 585 mm - 595 mm x 560 mm - 568 mm x 550 mm
- "Please reference the built-in dimensions provided in the installation drawing"

**Type of oven / heating system:**

- Oven with 5 heating methods: 3D hotair, Conventional heat, Hot air grilling, Full width grill, Hotair gentle
- Temperature range 50 °C - 275 °C
- Cavity volume: 71 l

**Hook-in racks / rails**

- Telescopic shelf rails as optional accessory

**Design:**

- Rotary Control, Pop-out controls, round
- Extra large capacity oven with grey enamel

**Cleaning:**

- Innerdoor main: Full glass inner door

**Comfort:**

- LED-display control (red)
- Electronic clock
- Bottom-hinge opening
- Rapid heating-up
- Halogen interior lighting
- Integral cooling fan
- Bar handle

**Accessory:**

- 1 x combination grid, 1 x universal pan, 1 x enamelled moussaka pan

**Environment and Safety:**

- Child lock

**Technical Info:**

- Length of mains cable: 120 cm
- Nominal voltage: 220 - 240 V
- Total connected load electric: 3.4 KW
- Energy efficiency rating (acc. EU Nr. 65/2014): A (at a range of energy efficiency classes from A+++ to D)  
Energy consumption per cycle in conventional mode: 0.97 kwh  
Energy consumption per cycle in fan-forced convection mode: 0.81 kwh  
Number of cavities: 1  
Heat source: electrical  
Cavity volume: 71 l

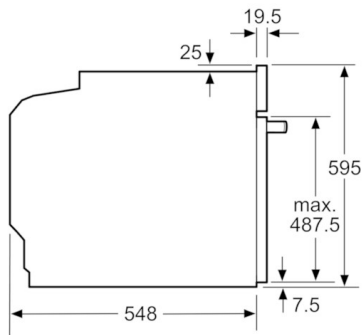


## Serie | 4 Ovens

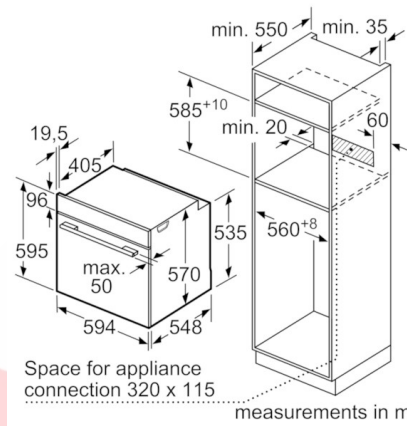
### Oven

### HBA513BS00, Stainless steel

### Oven

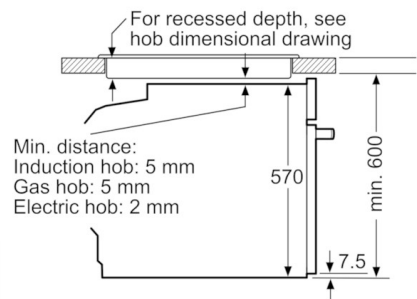


measurements in mm



measurements in mm

Installation with a hob.



measurements in mm