

N 30
OVEN

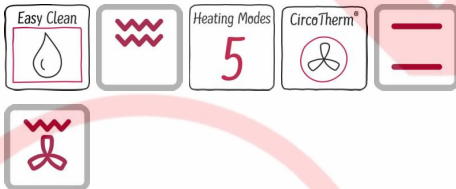
BIACCANO, STAINLESS STEEL

OVEN

NO-VALUE



A



Included accessories

1 x combination grid, 1 x universal pan

Optional accessories

Z11AB15A0 : Baking tray, non-stick ceramic coated , Z11AU15A0 : Universal pan, non-stick ceramic coated , Z11CB10E0 : Baking tray, grey enamelled , Z11CL15E0 : Lid for professional pan, enamelled grey , Z11CN15E0 : Professional pan, grey enamelled , Z11CR10X0 : Baking and roasting grid (standard) , Z11CU10E0 : Multipurpose pan, grey enamelled , Z11GT10X3 : Glass roasting dish, 5,4l , Z11GU20X0 : Glasspan , Z11TE25X0 : 2 level telescopic shelf rails , Z11TF25X0 : 2 level telescopic shelf rails,full ext , Z11TF36X0 : 3 level telescopic rails, full ext , Z11TI15X0 : Cliprails , Z11TJ25X0 : 2 level telescopic rails incl 1VarioClip , Z11TJ35X0 : 3 level telescopic rails incl 1VarioClip , Z12CN10A0 : Professional pan, anthracite enamelled , Z12CQ10A0 : Grill tray, anthracite enamelled , Z1352X0 : Pizza pan, grey enamelled , Z13CV05S0 : Cover Strip , Z19DD10X0 : Steam set for ovens , Z9220W0 : Conversion cabinet , Z99RX70X0 : Connecting cable 3m

CircoTherm® - Neff's outstanding hot-air system for simultaneous baking and roasting on up to 3 levels.

- ✓ CircoTherm® - Neff's outstanding hot-air system for simultaneous baking and roasting on up to 3 levels
- ✓ EasyClean - this special cleaning aid provides uncomplicated, energy-saving cleaning of the oven interior.
- ✓ An environment-saving option for fast oven cleaning.
- ✓ Hinged door

Features

Technical Data

Color / Material Front : Stainless steel
 Built-in / Free-standing : Built-in
 Integrated Cleaning system : Hydrolytic
 Required niche size for installation (HxWxD) : 585-595 x 560-568 x 550
 Dimensions of the product (mm) : 595 x 594 x 548
 Dimensions of the packed product (HxWxD) (mm) : 675 x 690 x 660
 Control Panel Material : Glass
 Door Material : Glass
 Net weight (kg) : 31.389
 Usable volume of cavity (l) : 71
 Cooking method : Conventional heat, Full width grill, Hot Air, Hotair gentle, Hot air grilling
 First cavity material : Other
 Number of interior lights : 1
 Approval certificates : CE, VDE
 Length electrical supply cord (cm) : 120
 Interior Lights - cavity 1 : 1
 Pull-out system : Accessory
 Clock function : Alarm, Off, On
 Included accessories cavity 1 : 1 x combination grid, 1 x universal pan
 Broil Element Wattages cavity 1 (W) : 2700
 Convection Element Wattages cavity 1 (W) : 2300
 Energy efficiency class (2010/30/EC) : A
 Energy consumption per cycle conventional (2010/30/EC) : 0.97
 Energy consumption per cycle forced air convection (2010/30/EC) : 0.81
 Energy efficiency index (2010/30/EC) : 95.3
 Electrical connection rating (W) : 3400
 Current (A) : 16
 Voltage (V) : 220-240
 Frequency (Hz) : 50; 60
 Plug type : Gardy plug w/ earthing
 Color / Material Front : Stainless steel
 Energy input : Electric
 Approval certificates : CE, VDE
 Required cutout/niche size for installation (in) : x x
 Dimensions of the packed product (in) : 26.57 x 25.98 x 27.16
 Net weight (lbs) : 69.000
 Gross weight (lbs) : 74
 Length electrical supply cord (cm) : 120
 Net weight (kg) : 31.389
 Gross weight (kg) : 34.0



4 242004 221760



CMC
ELECTRIC

N 30

OVEN

B1ACC2ANO, STAINLESS STEEL

OVEN

NO_VALUE

Features

Type of oven / heating system:

- Oven with 5 heating methods: CircoTherm®, Top/bottom heat, Hot air grilling, Full surface grill, CircoTherm® gentle
- Temperature range 50 °C - 275 °C
- Cavity volume: 71 l

Hook-in racks / rails

- Telescopic shelf rails as optional accessory

Design:

- Rotary Control, Retractable controls
- Cavity inner surface: Enamel grey

Cleaning:

- Cleaning aid
- Innerdoor main: Full glass inner door

Comfort:

- XM51
- Electronic clock
-
- Rapid heating-up
- Halogen interior lighting
- Cooling fan
- Bar handle

Accessory:

- 1 x combination grid, 1 x universal pan

Environment and Safety:

- Low door temperature
- Individual adjustable child lock

Technical Info:

- Length of mains cable: 120 cm
- Nominal voltage: 220 - 240 V
- Total connected load electric: 3.4 KW
- Energy efficiency rating (acc. EU Nr. 65/2014): A (at a range of energy efficiency classes from A+++ to D)
Energy consumption per cycle in conventional mode: 0.97 kwh
Energy consumption per cycle in fan-forced convection mode: 0.81 kwh
Number of cavities: 1
Heat source: electrical
Cavity volume: 71 l

Dimensions:

- Appliance dimension (hxwx): 595 mm x 594 mm x 548 mm
- Niche dimension (hxwx): 585 mm - 595 mm x 560 mm - 568 mm x 550 mm
- "Please reference the built-in dimensions provided in the installation drawing"



CMC ELECTRIC

N 30

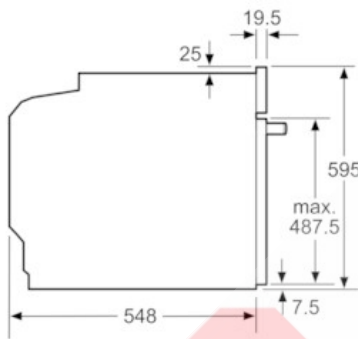
OVEN

B1ACC2ANO, STAINLESS STEEL

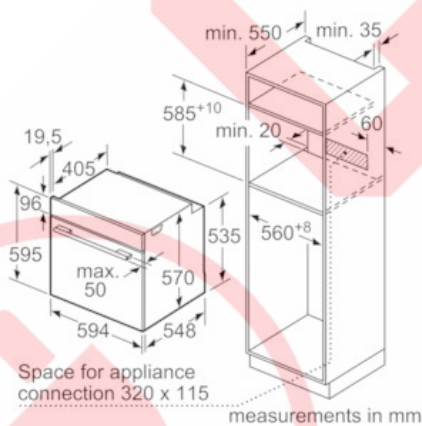
OVEN

NO_VALUE

Dimensioned drawings



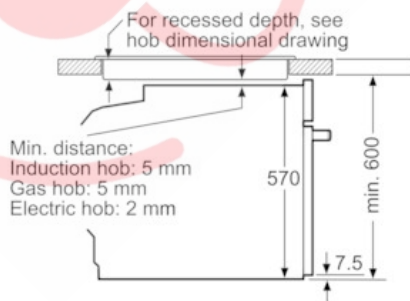
measurements in mm



Space for appliance connection 320 x 115

measurements in mm

Installation with a hob.



Min. distance:
Induction hob: 5 mm
Gas hob: 5 mm
Electric hob: 2 mm

measurements in mm