



## Serie | 4

### Built-in microwave oven BEL520MS0, Stainless steel



#### Included accessories

1 x grid  
1 x Turntable

#### Optional accessories

HEZ86D000 : Steamer Cooker Accessory for Microwave  
HEZG9AS00S : Adapter

### The built-in microwave for the 38 cm niche: use it for thawing, heating and perfect preparation of foods.

- **Microwave:** time saving preparation, defrosting and re-heating of dishes.
- **Side-opening door:** convenient access to dishes thanks to left-hinged door.
- **Grill function:** perfect grilling results are quickly and easily achieved thanks to a powerful grill.

#### Technical Data

Type of micro-wave oven :	MW+Grill function
Type of control :	mechanical
Color / Material Front :	Stainless steel
Dimensions of the product (mm) :	382 x 594 x 317
Cavity dimensions (mm) :	201.0 x 308.0 x 282.0
Length electrical supply cord (cm) :	130
Net weight (kg) :	17.211
Gross weight (kg) :	19.0
Maximum micro-wave power (W) :	800
Number of Power Levels :	5
Turntable :	Yes
Heating type :	Microwave, Quartz grill
Cavity material :	Stainless steel
Door opening :	Button
Clock :	No
Included accessories :	1 x grid, 1 x Turntable
Main colour of product :	Stainless steel
Height of the product (mm) :	382
Width of the product (mm) :	594
Depth of the product :	317
Maximum micro-wave power (W) :	800
Connection Rating (W) :	1270
Current (A) :	10
Voltage (V) :	220-230
Frequency (Hz) :	50
Plug type :	Gardy plug w/ earthing
Color / Material Front :	Stainless steel
Approval certificates :	CE
Required cutout/niche size for installation (in) :	x x
Appliance Dimensions (h x w x d) (in) :	x x
Dimensions of the packed product (in) :	17.32 x 14.96 x 25.98
Net weight (lbs) :	38
Gross weight (lbs) :	43





**Serie | 4 Microwave oven**

**Built-in microwave oven**  
**BEL520MS0, Stainless steel**

**The built-in microwave for the 38 cm niche:  
use it for thawing, heating and perfect  
preparation of foods.**

**Microwave and heating mode:**

- Max. Power: 800 W; 5 Microwave power settings: 90 W, 180 W, 360 W, 600 W, 800 W
- Grill 1 KW
- Grill and microwave power levels 180 W, 360 W combinable
- Microwave and grill for separate use
- Cavity volume: 20 l

**Design:**

- Stainless steel cavity

**Comfort:**

- Rotary Control
- User-friendly electronics: extremely easy and comfortable operation
- Interior lighting
- 25.5 cm glass turntable
- side opening door, hinge left

**Accessory:**

- 1 x grid, 1 x Turntable

**Environment and Safety:**

- Automatic switch off  
Door contact switch
- Integral cooling fan

**Technical Info:**

- Length of mains cable: 130 cm
- Total connected load electric: 1.27 KW
- Nominal voltage: 220 - 230 V
- Suitable for high cupboard installation, Can be built in a 60 cm wall cupboard (at least 30cm deep)

**Dimensions:**

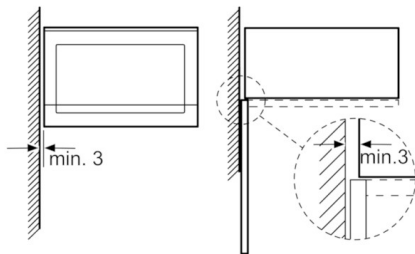
- Appliance dimension (hxwxd): 382 mm x 594 mm x 317 mm
- Niche dimension (hxwxd): 362 mm - 365 mm x 560 mm - 568 mm x 300 mm
- "Please reference the built-in dimensions provided in the installation drawing"



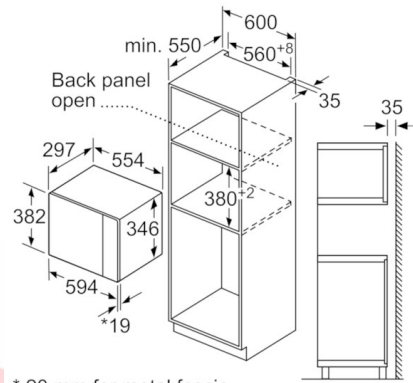
## Serie | 4 Microwave oven

### Built-in microwave oven BEL520MS0, Stainless steel

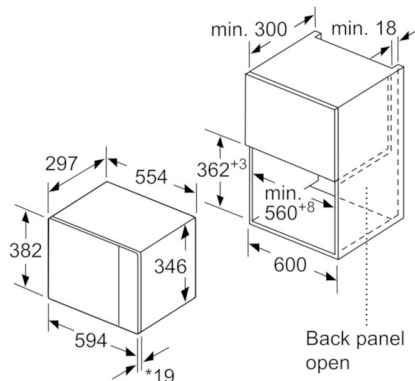
Microwave,  
corner installation



Measurements in mm

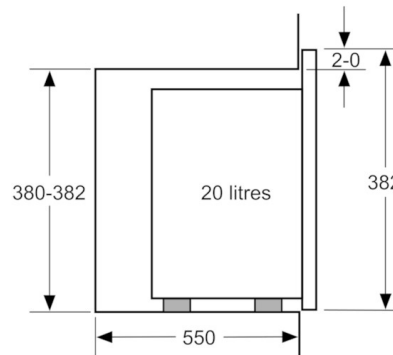


measurements in mm

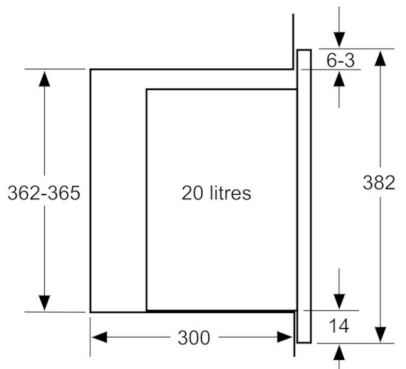


\* 20 mm for  
metal fascia

measurements in mm



measurements in mm



measurements in mm