



**CMC**  
**ELECTRIC**

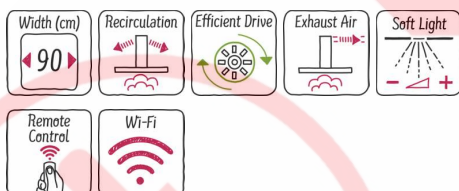


COOKING PASSION SINCE 1877

N 50  
195CAQ6N0 STAINLESS STEEL  
195CAQ6N0  
CEILING HOOD  
ICAQ956N  
90 CM WIDE



A



#### Optional accessories

Z50XP0X0	CleanAir act.carbon filter regenerative
Z5170X1	CleanAir active carbon filter spare part
Z52JCC0N0	CleanAir Recirculation module
Z52JCC0W0	CleanAir Recirculation module
Z52JCD0N0	CleanAir Recirculation module regener.
Z52JCD0W0	CleanAir Recirculation module regener.

Flush with the ceiling, the integrated ceiling hood leaves room for more

- ✓ Cooktop-based Hood Control – convenient operation of the hood via your hob
- ✓ Dimmer Function – dim the LED light conveniently with the button on the remote control
- ✓ Remote Control – comfortably control the ceiling hood with a remote
- ✓ Interval Ventilation – automatically ventilates every hour for crisp, clean air
- ✓ Clean Air – clean air thanks to the premium filter (accessory) with high odour neutralisation (> 90%) in recirculation

#### Features

##### Technical Data

Approval certificates : CE, VDE  
 Length electrical supply cord (cm) : 130  
 Required niche size for installation (HxWxD) : 299mm x 888mm x 487mm  
 Net weight (kg) : 19.416  
 Type of control : Electronic  
 Number of speed settings : 3-stage + 2 intensive  
 Maximum output air extraction (m<sup>3</sup>/h) : 459  
 Boost position output recirculating (m<sup>3</sup>/h) : 565  
 Maximum output recirculating air (m<sup>3</sup>/h) : 422  
 Boost position air extraction (m<sup>3</sup>/h) : 798  
 Number of lights : 4  
 Noise level (dB) : 56  
 Diameter of air outlet (mm) : 150  
 Grease filter material : Washable stainless steel  
 Odour filter : No  
 Operating Mode : Convertible  
 Delay Shut off modes : 10M  
 Optional accessories : Z50XP0X0, Z5170X1, Z52JCC0N0, Z52JCC0W0, Z52JCD0N0, Z52JCD0W0  
 Grease filter type : Cassette  
 Connection Rating (W) : 160  
 Voltage (V) : 220-240  
 Frequency (Hz) : 50; 60  
 Plug type : Gardy plug w/ earthing  
 Installation typology : Island  
 Material body : Stainless steel  
 Approval certificates : CE, VDE  
 Plug type : Gardy plug w/ earthing  
 Dimensions of the product, with chimney (if exists) (in) : / x x  
 Dimensions of the packed product (in) : 27.16 x 40.94 x 24.80  
 Net weight (lbs) : 43  
 Gross weight (lbs) : 65  
 Motor location : Integrated motor in hood body  
 No-return airflow flap : No  
 Length electrical supply cord (cm) : 130  
 Dimensions of the product, with chimney (if exists) (mm) : x 900 x 500  
 Dimensions of the packed product (HxWxD) (mm) : 690 x 1040 x 630  
 Net weight (kg) : 19.416  
 Gross weight (kg) : 29.0



4 242004 235699

N 50

195CAQ6N0 STAINLESS STEEL

195CAQ6N0

CEILING HOOD

1CAQ956N

90 CM WIDE

#### Features

- \* Energy Efficiency Class: A (at a range of energy efficiency classes from A++ to E)
- \* Average Energy Consumption: 35.3 kWh/year
- \* Blower Efficiency Class: A\*
- \* Lighting Efficiency Class: A
- \* Grease Filtering Efficiency Class: E
- \* Noise min./max. Normal Level: 41/56 dB

#### Variant:

#### Design:

#### Operating and power:

#### Environment and safety:

#### Comfort:

#### Measures:

#### Technical information:

- Ceiling
- 90 cm
- Appliance colour: stainless steel
- Ceiling mounted hood
- Suitable for ducted or re-circulated extraction
- For recirculated extraction CleanAir recirculating kit (accessory) needed
- Cooktop-based hood control (with matching cooktop)

Home Connect for connected home appliances and operation via smartphone or tablet (only in countries where Home Connect service is available)

- The Home Connect functionality can be extended by integrating numerous applications from external cooperation partners (partnerships)
- Voice Control enabled via popular voice assistants (only in countries where this service is available)
- Electronic controls via remote control
- with Electronic display
- Infrared remote control
- 3 speeds plus 2 intensive
- Automatic revert setting
- Automatic 10 minutes after running
- interval function: available via Home Connect
- silence function: available via Home Connect
- Efficient BLDC-technology
- Twin channel high performance fan motor
- Turnable blower, air outlet on all four sides possible
- Extraction rate according to EN 61591 ø 15 cm:
  - max. Normal use 458 m<sup>3</sup>/h
  - Intensive 798 m<sup>3</sup>/h
- Noise level according to EN 60704-3 und EN 60704-2-13 exhaust air:
  - Max. normal use: 56 dB(A) re 1 pW sound pressure: 43 dB(A)
  - Intensive: 68 dB(A) re 1 pW (55 dB(A) re 20 µPa sound pressure)
- Max. extraction rate: 798 m<sup>3</sup>/h
- Extraction rate in recirculation mode:
  - Max. normal use: 422 m<sup>3</sup>/h
  - Intensive: 565 m<sup>3</sup>/h
- Noise levels in recirculation mode:
  - Max. normal use: 63 dB(A) re 1 pW (50 dB(A) re 20 µPa sound pressure)
  - Intensive: 69 dB(A) re 1 pW (56 dB(A) re 20 µPa sound pressure)
- RimVentilation
- Filter cover stainless steel
- Metal grease filter, dishwasher safe
- Saturation indicator for metal and charcoal filter
- easy to clean inner frame in stainless steel
- 4 x 3W LED
- Light dimmer function
- Softlight
- Light Intensity: 659 lux
- Colour Temperature: 3500 K
- Electrical cable length 1.3 m
- Power rating: 160 W
- Dimensions (WxD): 900 x 500 mm
- built-in dimensions (HxWxD): 299 x 888 x 487 mm
- 150 mm diameter pipe



N 50

195CAQ6N0 STAINLESS STEEL

195CAQ6N0

CEILING HOOD

1CAQ956N

90 CM WIDE

Features

*\* In accordance with the EU-Regulation No 65/2014*

CMC  
ELECTRIC



N 50

195CAQ6N0 STAINLESS STEEL

195CAQ6N0

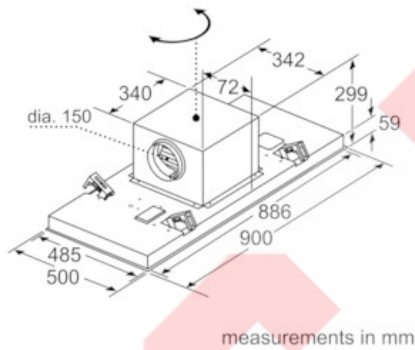
CEILING HOOD

1CAQ956N

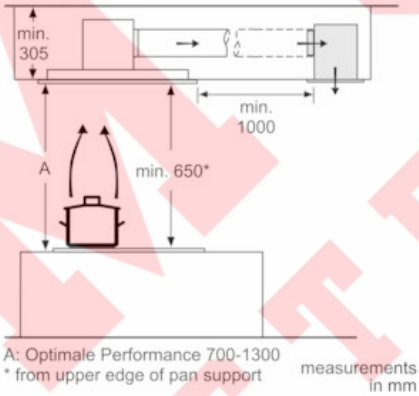
90 CM WIDE

Dimensioned drawings

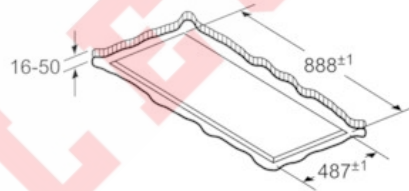
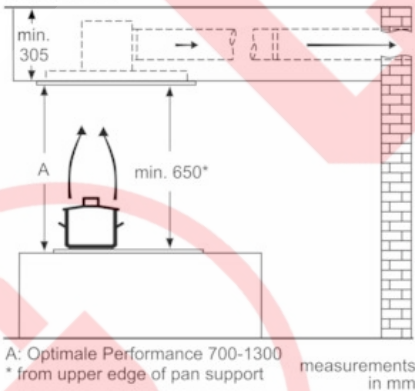
The fan outlet can be turned  
in all four directions



Air recirculation



Air extraction



Never fit directly onto plasterboard or similar  
lightweight construction materials of the  
suspended ceiling. A suitable substructure  
is required that is securely fixed to the  
concrete ceiling.

measurements in mm

Air recirculation

