

H 7260 B

Oven



- Clear text display with sensor controls – DirectSensor S
- Achieve perfect results with ease – automatic programmes
- Lots of room and flexibility – 76 l cooking capacity on 5 levels
- Easy handling – FlexiClip runners

A<sup>+</sup>

<b>Model and design</b>	
Built-in oven	•
PureLine	•
Appliance colour	Stainless steel/Clean Steel
<b>Convenience features</b>	
Rapid heat-up	•
<b>Operating modes</b>	
Defrosting	•
Auto roast	•
Eco Fan Plus	•
Fan plus	•
Intensive bake	•
Conventional heat	•
Bottom heat	•
Full grill	•
Fan grill	•
<b>User convenience</b>	
Display	DirectSensor S
SoftClose	•
MultiLingua	•
Time of day display	•
Minute minder	•
Programmable start of cooking duration	•
Programmable end of cooking duration	•
Actual temperature display	•
Target temperature display	•
Audible signal when target temperature is reached	•
Recommended temperature	•
Individual settings	•
<b>Efficiency and sustainability</b>	
Energy efficiency class (A+++ - D)	A+
<b>Cleaning convenience</b>	
Stainless steel front with CleanSteel finish	•
Pyrolytic self-cleaning	-
Unheated catalyser	-
Hinged grill heater element	•
CleanGlass door	•
<b>Safety</b>	
Appliance cooling system and touch-cool fronts	•
Safety switch-off	•
System lock	•

For further information please see next page.

H 7260 B

Oven



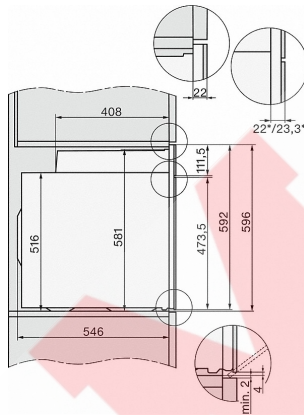
Technical data	
No. of shelf levels	5
Numbered shelf levels	•
Oven light	1 halogen spot
Weight in kg	47.0
Total rated load in kW	3.6
Voltage in V	230
Fuse rating in A	16
Number of phases	1
Mains cable with plug	•
Length of supply lead in m	2
Standard accessories	
Baking tray with PerfectClean	1
Universal tray with PerfectClean	1
Baking and roasting rack	1
Baking and roasting rack with PerfectClean	1
Descaling tablets	-

For further information please see next page.



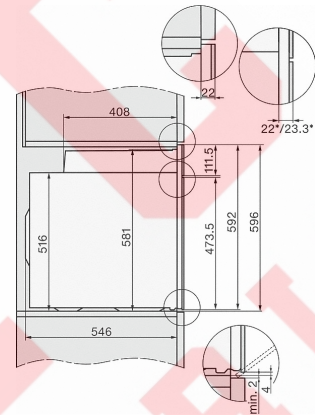
H 7260 B

Oven



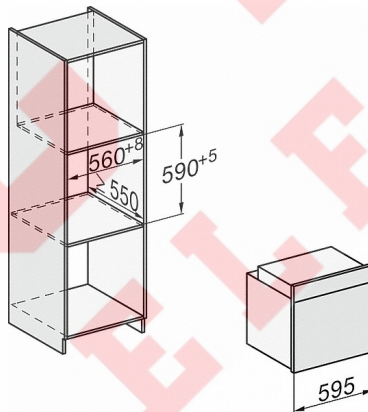
H2760B/BP, H28x0B/BP, H7x6xB/BP/BPX, installation drawings, GB, AUS

22 mm - glass  
23,3 mm - metal

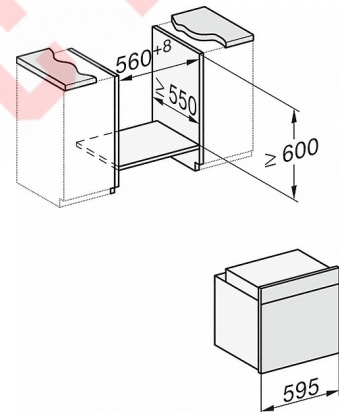


H2760B/BP, H28x0B/BP, H7x6xB/BP/BPX, installation drawings

22 mm - glass  
23.3 mm - metal



H226x-1B/BP/E/EP/MP, H2760B/BP, H28x0B/BP, H7x6xB/BP/BPX, installation drawings



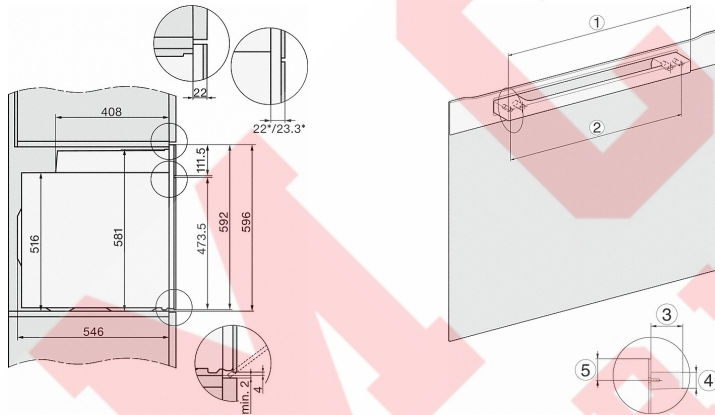
H226x-1B/BP/E/EP/MP, H2x6xB/BP, H7x6xB/BP/BPX, installation drawings

For further information please see next page.

If the oven is to be installed under a hob, follow the instructions for installing the hob and the height of the hob.

H 7260 B

Oven

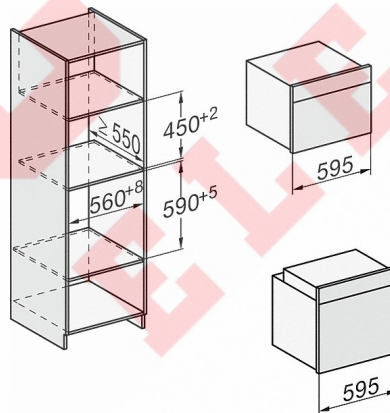


H2x6x-1B/BP/E/EP/MP, H2850BP, H7x6xB/BP/BPX,  
H2x6xB, installation drawings, GB, AUS

- 1) Mains connection cable, L=2000 mm
- 2) No connection in this area
- 3) Lüftungsausschnitt min. 150 cm<sup>2</sup>

DG2840, DG7x40, DGC7x4x, DG7x6x, DGC7x6x,  
DGD7635, DGM7x4x, DO7, H28B/BP, H7x4xB/BM/BP,  
H7x6xB/BP, installation drawing

- 1) 400 mm
- 2) 360 mm
- 3) 47 mm
- 4) 24 mm
- 5) 31,8 mm



H226x-1B/BP/E/EP/MP, H2760B/BP, H28x0B/BP,  
H7x40BM/BMX, H7x6xB/BP/BPX, installation drawings

