

H 7260 BP

Oven



- Clear text display with sensor controls – DirectSensor S
- Minimal cleaning effort - Pyrolytic cleaning
- Achieve perfect results with ease – automatic programmes
- Lots of room and flexibility – 76 l cooking capacity on 5 levels
- Easy handling – FlexiClip runners

A⁺

Model and design	
Built-in oven	•
PureLine	•
Appliance colour	Stainless steel/Clean Steel
Convenience features	
Rapid heat-up	•
Operating modes	
Defrosting	•
Auto roast	•
Eco Fan Plus	•
Fan plus	•
Intensive bake	•
Conventional heat	•
Bottom heat	•
Full grill	•
Fan grill	•
User convenience	
Display	DirectSensor S
SoftClose	•
Multilingua	•
Time of day display	•
Minute minder	•
Programmable start of cooking duration	•
Programmable end of cooking duration	•
Actual temperature display	•
Target temperature display	•
Audible signal when target temperature is reached	•
Recommended temperature	•
Individual settings	•
Efficiency and sustainability	
Energy efficiency class (A+++ - D)	A+
Cleaning convenience	
Stainless steel front with CleanSteel finish	•
Pyrolytic self-cleaning	•
Unheated catalyser	•
Hinged grill heater element	•
CleanGlass door	•
Safety	
Appliance cooling system and touch-cool fronts	•
Safety switch-off	•
System lock	•
Door lock during pyrolytic cleaning	•

For further information please see next page.

H 7260 BP

Oven



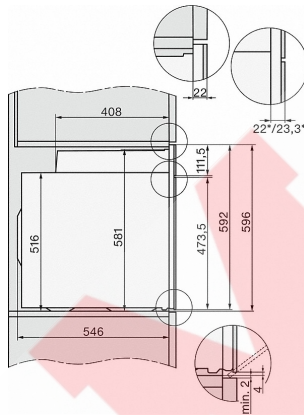
Technical data	
No. of shelf levels	5
Numbered shelf levels	•
Oven light	1 halogen spot
Weight in kg	47.0
Total rated load in kW	3.6
Voltage in V	230
Fuse rating in A	16
Number of phases	1
Mains cable with plug	•
Length of supply lead in m	2
Standard accessories	
Baking tray with PerfectClean	1
Universal tray with PerfectClean	1
Baking and roasting rack	1
Baking and roasting rack with PerfectClean	1
Descaling tablets	-

For further information please see next page.



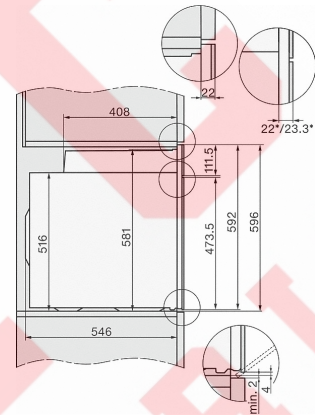
H 7260 BP

Oven



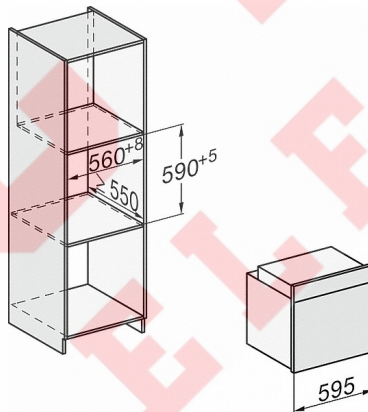
H2760B/BP, H28x0B/BP, H7x6xB/BP/BPX, installation drawings, GB, AUS

22 mm - glass
23,3 mm - metal

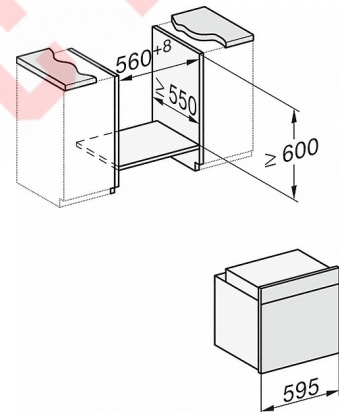


H2760B/BP, H28x0B/BP, H7x6xB/BP/BPX, installation drawings

22 mm - glass
23,3 mm - metal



H226x-1B/BP/E/EP/MP, H2760B/BP, H28x0B/BP, H7x6xB/BP/BPX, installation drawings



H226x-1B/BP/E/EP/MP, H2x6xB/BP, H7x6xB/BP/BPX, installation drawings

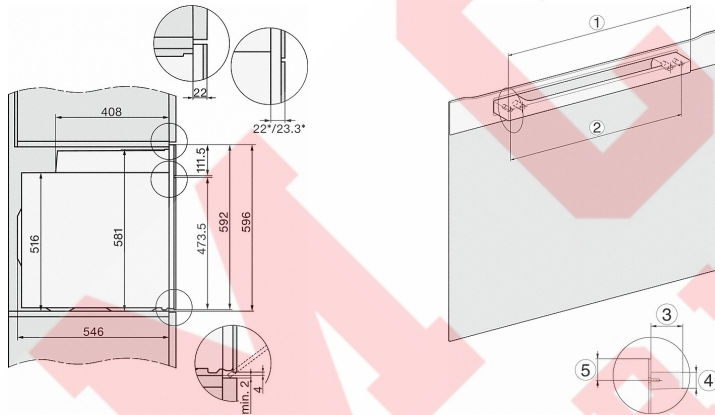
If the oven is to be installed under a hob, follow the instructions for installing the hob and the height of the hob.

For further information please see next page.



H 7260 BP

Oven

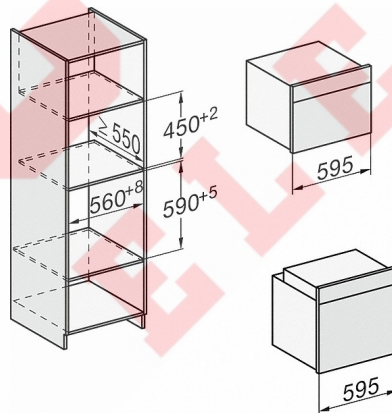


H2x6x-1B/BP/E/EP/MP, H2850BP, H7x6xB/BP/BPX,
H2x6xB, installation drawings, GB, AUS

- 1) Mains connection cable, L=2000 mm
- 2) No connection in this area
- 3) Lüftungsausschnitt min. 150 cm²

DG2840, DG7x40, DGC7x4x, DG7x6x, DGC7x6x,
DGD7635, DGM7x4x, DO7, H28B/BP, H7x4xB/BM/BP,
H7x6xB/BP, installation drawing

- 1) 400 mm
- 2) 360 mm
- 3) 47 mm
- 4) 24 mm
- 5) 31,8 mm



H226x-1B/BP/E/EP/MP, H2760B/BP, H28x0B/BP,
H7x40BM/BMX, H7x6xB/BP/BPX, installation drawings

