

**Serie | 4, telescopic cooker hood, 60 cm, Silver metallic  
DFR067A52**

**Telescopic cooker hood: barely visible integrated in the wall unit, this ensures a clear kitchen design.**

**A**



- **Handle strips:** Select the right color from various Bosch handle strips.
- **extra silent:** maximal extractor performance with very minimal noise.
- **Grease filtration level:** filters out over 85% of the grease from kitchen air
- **EcoSilence Drive:** our highly efficient motor saves on energy, not on performance.
- **LED-Illumination:** The energy-saving lighting provides white and good lighting for the hob area.

**Technical Data**

Typology :	Pull-out
Approval certificates :	CE, VDE
Length electrical supply cord (cm) :	175
Required niche size for installation (HxWxD) :	385mm x 524,0mm x 290mm
Net weight (kg) :	10.263
Type of control :	Electronic
Maximum output air extraction (m3/h) :	399
Boost position output recirculating (m3/h) :	483.0
Maximum output recirculating air (m3/h) :	295
Boost position air extraction (m <sup>3</sup> /h) :	728
Number of lights :	2
Noise level (dB) :	53
Diameter of air outlet (mm) :	120 / 150
Grease filter material :	Washable stainless steel
Odour filter :	No
Operating Mode :	Convertible
Delay Shut off modes :	10
Optional accessories :	DSZ4561, DSZ4565, DSZ4660, DSZ4682, DSZ4685, DSZ4686, DWZ0IT0P0, DWZ1IT1D1, DWZ1IX1B6, DWZ1IX1C6, DWZ2IT1B4, DWZ2IT1I4, HEZG9AS00S
Type of lamps used :	LED
Total power of the lamps (W) :	4
Grease filter type :	Kassette
Connection Rating (W) :	144
Current (A) :	10
Voltage (V) :	220-240
Frequency (Hz) :	50; 60
Plug type :	Gardy plug w/ earthing
Installation typology :	Built-in
Material body :	zinc plated
Approval certificates :	CE, VDE
Plug type :	Gardy plug w/ earthing
Dimensions of the product, with chimney (if exists) (in) :	/ x x
Dimensions of the packed product (in) :	15.74 x 25.19 x 19.29
Net weight (lbs) :	23.000
Gross weight (lbs) :	26.000
Motor location :	Integrated motor in hood body
No-return airflow flap :	Yes
Length electrical supply cord (cm) :	175
Dimensions of the product, with chimney (if exists) (mm) :	426 x 598.0 x 290.0
Dimensions of the packed product (HxWxD) (mm) :	400 x 640 x 490
Net weight (kg) :	10.263
Gross weight (kg) :	11.8

**Optional accessories**

- DSZ4561 : Standard odor filter (replacement)
- DSZ4565 : Standard recirculation kit
- DSZ4660 : Lowering frame
- DSZ4682 : Handle strip white
- DSZ4685 : Handle strip
- DSZ4686 : Handle strip black
- DWZ0IT0P0 : Long Life odor filter (replacement)
- DWZ1IT1D1 : Long Life recirculation kit external
- DWZ1IX1B6 : Clean Air Plus odor filter (replacement)
- DWZ1IX1C6 : Clean Air Plus recirc. kit external
- HEZG9AS00S : Adapter



**Serie | 4, telescopic cooker hood, 60 cm,  
Silver metallic  
DFR067A52**

**Telescopic cooker hood: barely visible  
integrated in the wall unit, this ensures a  
clear kitchen design.**

**Variant**

- 60 cm wide
- 60 cm Slimline hood, silver metallic
- For installation in a 60 cm wide special wall cupboard
- Suitable for ducted or re-circulated extraction
- For recirculated extraction standard recirculation kit or Clean Air Plus recirculation kit (accessory) needed

**Design****Comfort**

- Push button controls with Electronic display
- Electronic controls via Push button controls with Electronic display
- Electronic controls
- Push button controls (3 speeds plus intensive setting) with Electronic display
- Electronic controls
- Push button controls
- 3 speeds plus intensive setting
- Automatic revert setting, 6 minutes
- Automatic 10 minutes after running

**Features**

- 2 x 1,5 W LED
- Colour Temperature: 3500 K
- Light Intensity: 294 lux
- Stainless steel filter covers, dishwasher safe
- Metal grease filter, dishwasher safe

**Performance**

- Extraction rate according to EN 61591  $\varnothing$  15 cm:  
max. Normal use 399 m<sup>3</sup>/h  
Intensive 728 m<sup>3</sup>/h
- Extraction rate exhaust air according to EN 61591:  
max. normal use 399 m<sup>3</sup>/h, intensive 728 m<sup>3</sup>/h
- Noise level according to EN 60704-2-13 exhaust air:  
Max. normal use: 53 dB(A) re 1 pW  
Intensive: 68 dB(A) re 1 pW
- Extraction rate exhaust air according to EN 61591 max. 728 m<sup>3</sup>/h
- Noise level according to EN 60704-2-13 at max. normal use exhaust air: 64 dB(A) re 1 pW dB(A) re 1 pW
- Noise min./max. Normal Level: 41/53 dB
- With the Clean Air Plus recirculation kit (available as optional accessory) your appliances reaches:  
Extraction rate in recirculation mode:  
Max. normal use: 358 m<sup>3</sup>/h  
Intensive: 628 m<sup>3</sup>/h  
Noise level in recirculation mode:  
Max. normal use: 60 dB(A) re 1 pW  
Intensive: 71 dB(A) re 1 pW
- 2 high-performance blower, Efficient BLDC-technology
- Efficient BLDC-technology

**Planning and installation information**

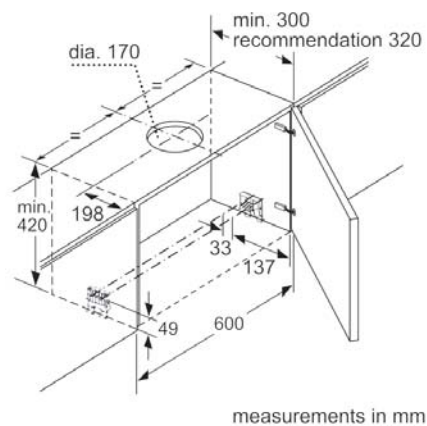
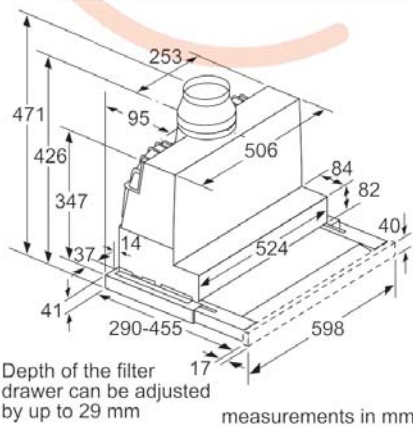
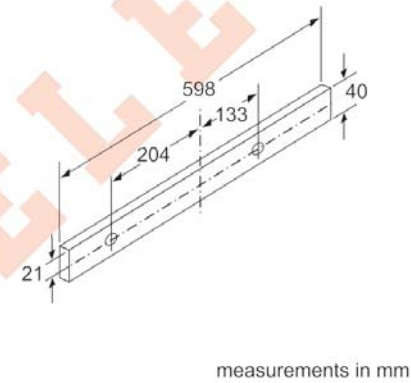
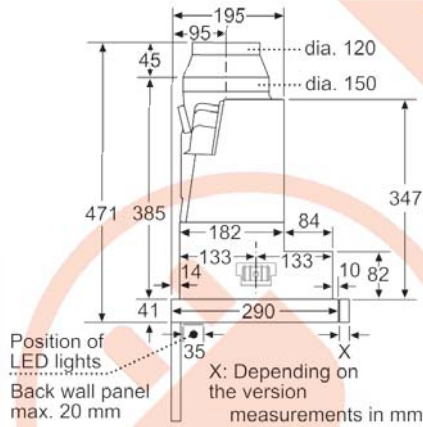
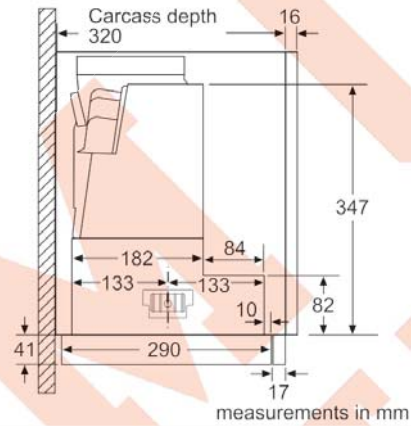
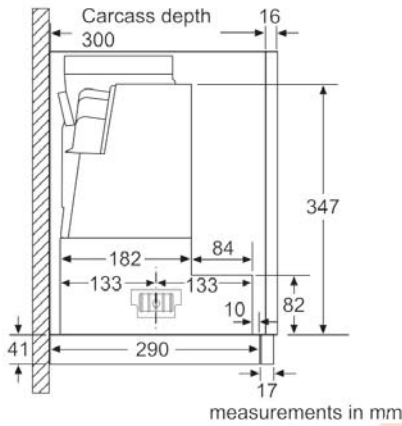
- Telescopic comfort installation: easy installation system
- Dimensions (HxWxD): 426 x 598 x 290 mm
- Built-in dimensions (HxWxD): 385 x 524 x 290 mm
- Diameter pipe  $\varnothing$  150 mm ( $\varnothing$  120 mm enclosed)
- with one-way flap
- Electrical cable length 1.75 m
- Drawer without handle, furniture lighting pelmet or profile panel required

**Consumption Data**

- Energy Efficiency Class: A (at a range of energy efficiency classes from A+++ to D)
- Average Energy Consumption: 37.9 kWh/year
- Blower Efficiency Class: B\*
- Lighting Efficiency Class: A
- Grease Filtering Efficiency Class: B
- Power rating: 144 W

\* In accordance with the EU-Regulation No 65/2014

**Serie | 4, telescopic cooker hood, 60 cm,  
Silver metallic  
DFR067A52**



Serie | 4, telescopic cooker hood, 60 cm,  
Silver metallic  
DFR067A52

