

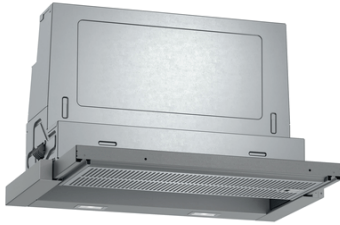


CMC
ELECTRIC



COOKING PASSION SINCE 1877

*N 50, telescopic cooker hood, 60 cm, Silver metallic
D46ED52X1*



A



Optional accessories

Z51ITD1X1	Long Life recirculation kit external
Z51ITP0X0	Long Life odor filter (replacement)
Z51IXB1X6	Clean Air Plus odor filter (replacement)
Z51XC1X6	Clean Air Plus recirc. kit external
Z54TC02X0	Standard odor filter (replacement)
Z54TH60D1	Design Handle strip
Z54TH60N1	Handle strip
Z54TL60X0	Lowering frame
Z54TS02X0	Standard recirculation kit

Telescopic hood: Fans of streamlined kitchens love our telescopic hood because it's invisible inside the upper cabinet

- ✓ Hood Accessory – Complete your telescopic hood with your favourite handle from our range of accessories
- ✓ High Extraction Rate – ensures a clear view while cooking thanks to an efficient motor technology
- ✓ Efficient Drive – new motor technology makes cooking very quiet and energy-efficient
- ✓ Intensive Speed Setting – increases the extraction rate when cooking steam is intense
- ✓ LED Lighting – a clear illumination whilst cooking thanks to the energy-saving LED lights

Features

Technical Data

Typology : Pull-out
 Approval certificates : CE, Eurasian, VDE
 Length electrical supply cord (cm) : 175
 Required niche size for installation (HxWxD) : 385mm x 524.0mm x 290mm
 Net weight (kg) : 10.413
 Type of control : Electronic
 Maximum output air extraction (m³/h) : 399
 Boost position output recirculating (m³/h) : 483.0
 Maximum output recirculating air (m³/h) : 295
 Boost position air extraction (m³/h) : 728
 Number of lights : 2
 Noise level (dB) : 53
 Diameter of air outlet (mm) : 120 / 150
 Grease filter material : Washable stainless steel
 Odour filter : No
 Operating Mode : Convertible
 Delay Shut off modes : 10
 Optional accessories : Z51ITB2X4, Z51ITD1X1, Z51IT12X4, Z51ITP0X0, Z51IXB1X6, Z51XC1X6, Z54TC02X0, Z54TH60D1, Z54TH60N1, Z54TL60X0, Z54TS02X0
 Type of lamps used : LED
 Total power of the lamps (W) : 4
 Grease filter type : Kasette
 Connection Rating (W) : 144
 Current (A) : 10
 Voltage (V) : 220-240
 Frequency (Hz) : 50; 60
 Plug type : Gardy plug w/ earthing
 Installation typology : Built-in
 Material body : zinc plated
 Approval certificates : CE, Eurasian, VDE
 Plug type : Gardy plug w/ earthing
 Dimensions of the product, with chimney (if exists) (in) : / x x
 Dimensions of the packed product (in) : 15.74 x 25.19 x 19.29
 Net weight (lbs) : 23.000
 Gross weight (lbs) : 26.000
 Motor location : Integrated motor in hood body
 No-return airflow flap : Yes
 Length electrical supply cord (cm) : 175
 Dimensions of the product, with chimney (if exists) (mm) : 426 x 598.0 x 290.0
 Dimensions of the packed product (HxWxD) (mm) : 400 x 640 x 490
 Net weight (kg) : 10.413
 Gross weight (kg) : 11.9





N 50, telescopic cooker hood, 60 cm, Silver metallic
D46ED52X1

Features

Variant

- 60 cm wide
- 60 cm Telescopic hood, silver metallic
- For installation in a 60 cm wide special wall cupboard
- Suitable for ducted or re-circulated extraction
- For recirculated extraction standard recirculation kit or Clean Air Plus recirculation kit (accessory) needed

Design

Comfort

- Push button controls with Electronic display
- Electronic controls via Push button controls with Electronic display
- Electronic controls
- Push button controls (3 speeds plus intensive setting) with Electronic display
- Electronic controls
- Push button controls
- 3 speeds plus intensive setting
- Automatic revert setting, 6 minutes
- Automatic 10 minutes after running

Features

- 2 x 1,5 W LED
- Colour Temperature: 3500 K
- Light Intensity: 294 lux
- Stainless steel filter covers, dishwasher safe
- Metal grease filter, dishwasher safe

Performance

- Extraction rate according to EN 61591 \varnothing 15 cm:
max. Normal use 399 m³/h
Intensive 728 m³/h
- Extraction rate exhaust air according to EN 61591:
max. normal use 399 m³/h, intensive 728 m³/h
- Noise level according to EN 60704-2-13 exhaust air:
Max. normal use: 53 dB(A) re 1 pW
Intensive: 68 dB(A) re 1 pW
- Extraction rate exhaust air according to EN 61591 max. 728 m³/h
- Noise level according to EN 60704-2-13 at max. normal use exhaust air: 64 dB(A) re 1 pW dB(A) re 1 pW
- Noise min./max. Normal Level: 41/53 dB
- With the Clean Air Plus recirculation kit (available as optional accessory) your appliances reaches:
Extraction rate in recirculation mode:
Max. normal use: 358 m³/h
Intensive: 628 m³/h
Noise level in recirculation mode:
Max. normal use: 60 dB(A) re 1 pW
Intensive: 71 dB(A) re 1 pW
- 2 high-performance blower, Efficient BLDC-technology
- Efficient BLDC-technology

Planning and installation information

- Telescopic comfort installation: easy installation system
- Dimensions (HxWxD): 426 x 598 x 290 mm
- Built-in dimensions (HxWxD): 385 x 524 x 290 mm
- Diameter pipe \varnothing 150 mm (\varnothing 120 mm enclosed)
- with one-way flap
- Electrical cable length 1.75 m
- Drawer without handle, furniture lighting pelmet or profile panel required

Consumption Data

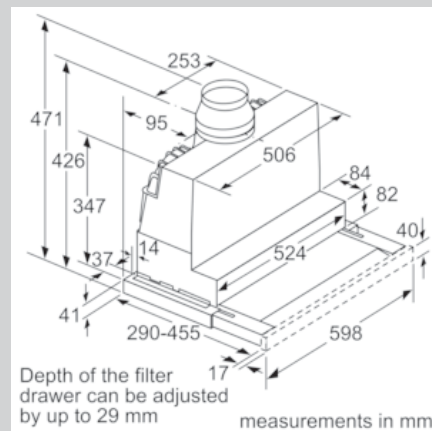
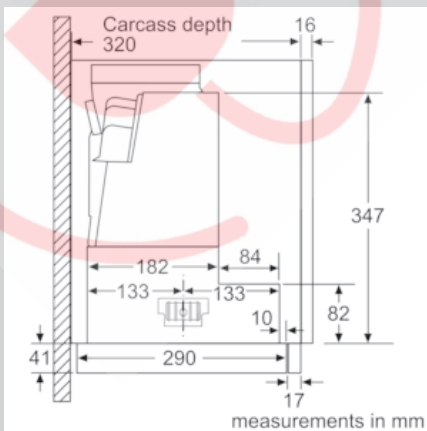
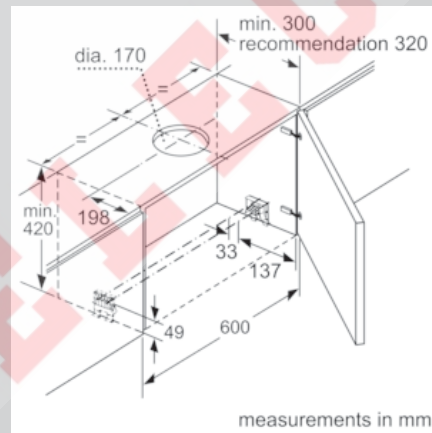
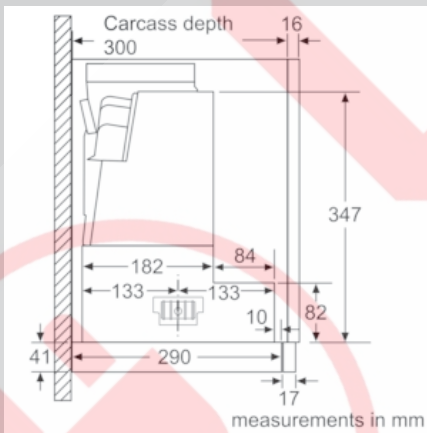
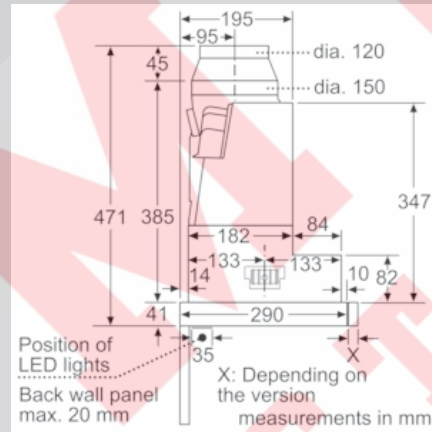
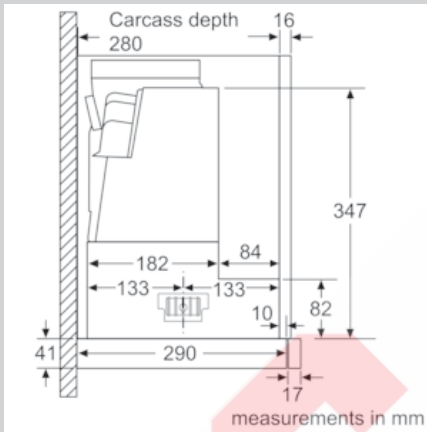
- Energy Efficiency Class: A (at a range of energy efficiency classes from A+++ to D)
- Average Energy Consumption: 37.9 kWh/year
- Blower Efficiency Class: B*
- Lighting Efficiency Class: A
- Grease Filtering Efficiency Class: B
- Power rating: 144 W

* In accordance with the EU-Regulation No 65/2014



N 50, telescopic cooker hood, 60 cm, Silver metallic
D46ED52X1

Dimensioned drawings





CMC
ELECTRIC



COOKING PASSION SINCE 1877

N 50, telescopic cooker hood, 60 cm, Silver metallic
D46ED52X1

Dimensioned drawings

