



# CMC ELECTRIC



COOKING PASSION SINCE 1877

N 50, telescopic cooker hood, 90 cm, Silver metallic  
D49ED52X1



A



#### Optional accessories

Z51ITD1X1	Long Life recirculation kit external
Z51ITP0X0	Long Life odor filter (replacement)
Z51IXB1X6	Clean Air Plus odor filter (replacement)
Z51XC1X6	Clean Air Plus recirc. kit external
Z54TC02X0	Standard odor filter (replacement)
Z54TH90D1	Design Handle strip
Z54TH90N1	Handle strip
Z54TL90X1	Lowering frame
Z54TM90X0	Installation kit for 90cm wide wall unit
Z54TS02X0	Standard recirculation kit

Telescopic hood: Fans of streamlined kitchens love our telescopic hood because it's invisible inside the upper cabinet

- ✓ Hood Accessory – Complete your telescopic hood with your favourite handle from our range of accessories
- ✓ High Extraction Rate – ensures a clear view while cooking thanks to an efficient motor technology
- ✓ Efficient Drive – new motor technology makes cooking very quiet and energy-efficient
- ✓ Intensive Speed Setting – increases the extraction rate when cooking steam is intense
- ✓ LED Lighting – a clear illumination whilst cooking thanks to the energy-saving LED lights

#### Features

##### Technical Data

Typology : Pull-out  
 Approval certificates : CE, VDE  
 Length electrical supply cord (cm) : 175  
 Required niche size for installation (HxWxD) : 385mm x 524.0mm x 290mm  
 Net weight (kg) : 12.931  
 Type of control : Electronic  
 Maximum output air extraction (m<sup>3</sup>/h) : 397  
 Boost position output recirculating (m<sup>3</sup>/h) : 476.0  
 Maximum output recirculating air (m<sup>3</sup>/h) : 294  
 Boost position air extraction (m<sup>3</sup>/h) : 729  
 Number of lights : 3  
 Noise level (dB) : 53  
 Diameter of air outlet (mm) : 120 / 150  
 Grease filter material : Washable stainless steel  
 Odour filter : No  
 Operating Mode : Convertible  
 Delay Shut off modes : 10  
 Optional accessories : Z51ITB2X4, Z51ITD1X1, Z51IT12X4, Z51ITP0X0, Z51IXB1X6, Z51XC1X6, Z54TC02X0, Z54TH90D1, Z54TH90N1, Z54TL90X1, Z54TM90X0, Z54TS02X0  
 Type of lamps used : LED  
 Total power of the lamps (W) : 6  
 Grease filter type : Cassette  
 Connection Rating (W) : 146  
 Current (A) : 10  
 Voltage (V) : 220-240  
 Frequency (Hz) : 50; 60  
 Plug type : Gardy plug w/ earthing  
 Installation typology : Built-in  
 Material body : zinc plated  
 Approval certificates : CE, VDE  
 Plug type : Gardy plug w/ earthing  
 Dimensions of the product, with chimney (if exists) (in) : / x x  
 Dimensions of the packed product (in) : 16.53 x 37.00 x 19.29  
 Net weight (lbs) : 29.000  
 Gross weight (lbs) : 34.000  
 Motor location : Integrated motor in hood body  
 No-return airflow flap : Yes  
 Length electrical supply cord (cm) : 175  
 Dimensions of the product, with chimney (if exists) (mm) : 426 x 898.0 x 290.0  
 Dimensions of the packed product (HxWxD) (mm) : 420 x 940 x 490  
 Net weight (kg) : 12.931  
 Gross weight (kg) : 15.2





N 50, telescopic cooker hood, 90 cm, Silver metallic  
D49ED52X1

## Features

### Variant

- 90 cm wide
- 90 cm Telescopic hood, silver metallic
- For installation in a special wall cupboard (60 or 90 cm)
- Suitable for ducted or re-circulated extraction
- For recirculated extraction standard recirculation kit or Clean Air Plus recirculation kit (accessory) needed

### Design

#### Comfort

- Push button controls with Electronic display
- Electronic controls via Push button controls with Electronic display
- Electronic controls
- Push button controls (3 speeds plus intensive setting) with Electronic display
- Electronic controls
- Push button controls
- 3 speeds plus intensive setting
- Automatic revert setting, 6 minutes
- Automatic 10 minutes after running

#### Features

- 3 x 1,5 W LED
- Colour Temperature: 3500 K
- Light Intensity: 355 lux
- Stainless steel filter covers, dishwasher safe
- Metal grease filter, dishwasher safe

### Performance

- Extraction rate according to EN 61591  $\varnothing$  15 cm:  
max. Normal use 397 m<sup>3</sup>/h  
Intensive 729 m<sup>3</sup>/h
- Extraction rate exhaust air according to EN 61591:  
max. normal use 397 m<sup>3</sup>/h, intensive 729 m<sup>3</sup>/h
- Noise level according to EN 60704-2-13 exhaust air:  
Max. normal use: 53 dB(A) re 1 pW  
Intensive: 69 dB(A) re 1 pW
- Extraction rate exhaust air according to EN 61591 max. 729 m<sup>3</sup>/h
- Noise level according to EN 60704-2-13 at max. normal use exhaust air: 64 dB(A) re 1 pW dB(A) re 1 pW
- Noise min./max. Normal Level: 41/53 dB
- With the Clean Air Plus recirculation kit (available as optional accessory) your appliances reaches:  
Extraction rate in recirculation mode:  
Max. normal use: 358 m<sup>3</sup>/h  
Intensive: 628 m<sup>3</sup>/h  
Noise level in recirculation mode:  
Max. normal use: 60 dB(A) re 1 pW  
Intensive: 71 dB(A) re 1 pW
- 2 high-performance blower, Efficient BLDC-technology
- Efficient BLDC-technology

### Planning and installation information

- Telescopic comfort installation: easy installation system
- Dimensions (HxWxD): 426 x 898 x 290 mm
- Built-in dimensions (HxWxD): 385 x 524 x 290 mm
- Diameter pipe  $\varnothing$  150 mm ( $\varnothing$  120 mm enclosed)
- with one-way flap
- Electrical cable length 1.75 m
- Drawer without handle, furniture lighting pelmet or profile panel required

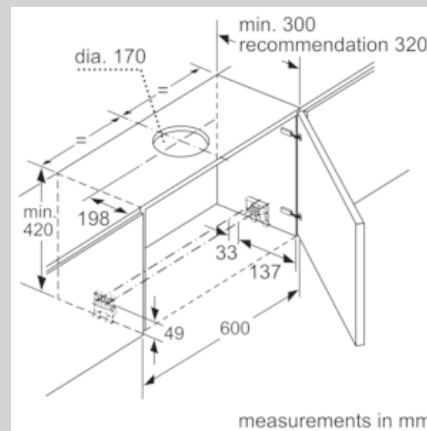
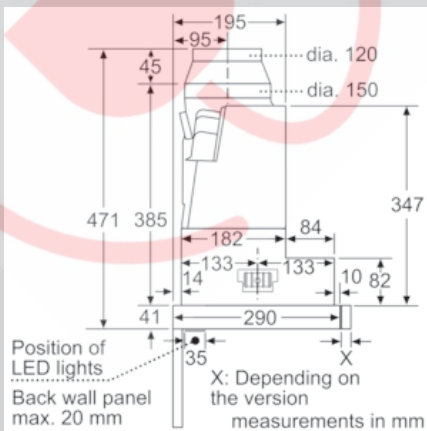
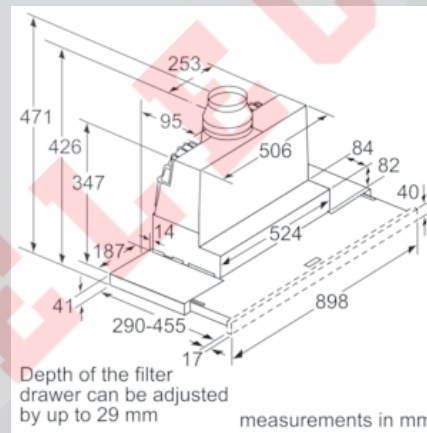
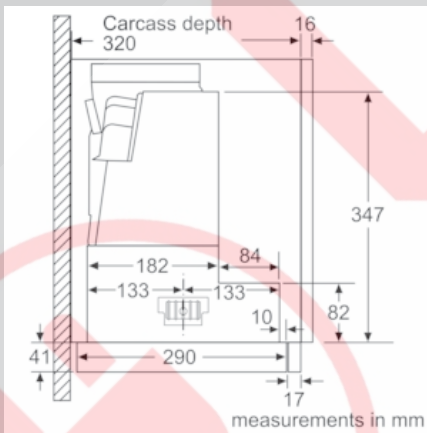
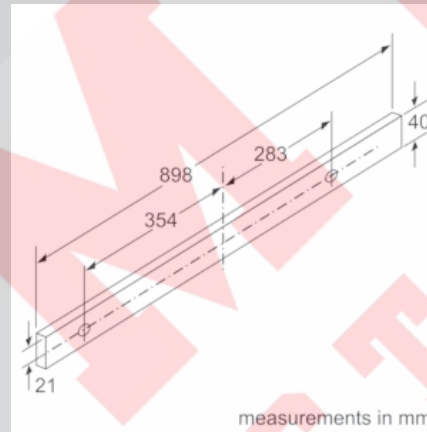
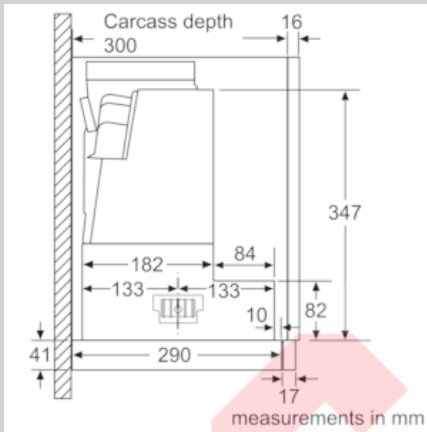
### Consumption Data

- Energy Efficiency Class: A (at a range of energy efficiency classes from A+++ to D)
- Average Energy Consumption: 38.1 kWh/year
- Blower Efficiency Class: B\*
- Lighting Efficiency Class: A
- Grease Filtering Efficiency Class: B
- Power rating: 146 W

\* In accordance with the EU-Regulation No 65/2014

N 50, telescopic cooker hood, 90 cm, Silver metallic  
D49ED52X1

Dimensioned drawings





*N 50, telescopic cooker hood, 90 cm, Silver metallic  
D49ED52X1*

### Dimensioned drawings

