

**iQ500, telescopic cooker hood, 60 cm,  
Stainless steel  
LI67RA561**

**A**



**Optional accessories**

LZ46850	Design-Handle strip
LZ46600	Lowering frame
LZ46561	Handle strip black
LZ46551	Handle strip
LZ46521	Handle strip white
LZ45650	Standard recirculation kit
LZ45610	Standard odor filter (replacement)
LZ11XC16	Clean Air Plus recirc. kit external
LZ11XB16	Clean Air Plus odor filter (replacement)
LZ11TD11	Long Life recirculation kit external
LZ10ITP00	Long Life odor filter (replacement)

Manufactured by <BSH Legal Name> under Trademark License of Siemens AG

The powerful telescopic cooker hood practically disappears into the upper cabinet.

- ✓ Powerful and quiet steam extraction – iQdrive motor
- ✓ Optimal visibility and atmosphere when cooking - LED light.
- ✓ Calms the cooking process - #Extremely quiet
- ✓ For peak performance - Intensive setting with automatic revert
- ✓ Choose one of our Siemens design handles (available as accessory) to individualize your hood.

**Features**

**Technical Data**

Typology : Pull-out  
 Approval certificates : CE, VDE  
 Length electrical supply cord (cm) : 175  
 Required niche size for installation (HxWxD) : 385mm x 524.0mm x 290mm  
 Net weight (kg) : 11.513  
 Type of control : Electronic  
 Number of speed settings : 3-stage + 2 intensive  
 Maximum output air extraction (m<sup>3</sup>/h) : 392  
 Boost position output recirculating (m<sup>3</sup>/h) : 475.0  
 Maximum output recirculating air (m<sup>3</sup>/h) : 298  
 Boost position air extraction (m<sup>3</sup>/h) : 717  
 Number of lights : 2  
 Noise level (dB) : 53  
 Diameter of air outlet (mm) : 120 / 150  
 Grease filter material : Washable stainless steel  
 Odour filter : No  
 Operating Mode : Convertible  
 Delay Shut off modes : 10  
 Optional accessories : LZ10ITP00, LZ11TD11, LZ11XB16, LZ11XC16, LZ12ITB14, LZ12ITI14, LZ45610, LZ45650, LZ46521, LZ46551, LZ46561, LZ46600, LZ46850  
 Type of lamps used : LED  
 Total power of the lamps (W) : 4  
 Grease filter type : Kasette  
 Connection Rating (W) : 144  
 Current (A) : 10  
 Voltage (V) : 220-240  
 Frequency (Hz) : 50; 60  
 Plug type : Gardy plug w/ earthing  
 Installation typology : Built-in  
 Material body : Stainless steel  
 Approval certificates : CE, VDE  
 Plug type : Gardy plug w/ earthing  
 Dimensions of the product, with chimney (if exists) (in) : / x x  
 Dimensions of the packed product (in) : 15.74 x 25.19 x 19.29  
 Net weight (lbs) : 25.000  
 Gross weight (lbs) : 29.000  
 Motor location : Integrated motor in hood body  
 No-return airflow flap : Yes  
 Length electrical supply cord (cm) : 175  
 Dimensions of the product, with chimney (if exists) (mm) : 426 x 598.0 x 290.0  
 Dimensions of the packed product (HxWxD) (mm) : 400 x 640 x 490  
 Net weight (kg) : 11.513  
 Gross weight (kg) : 13.0



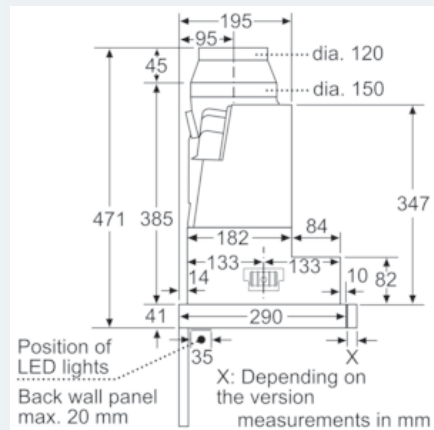
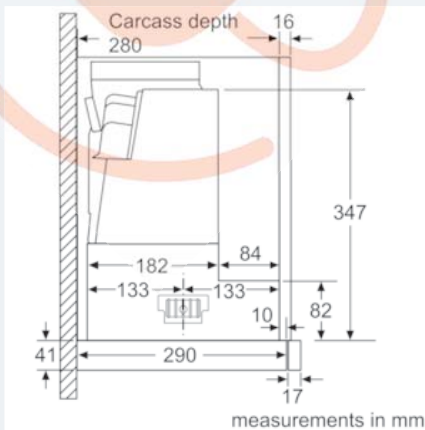
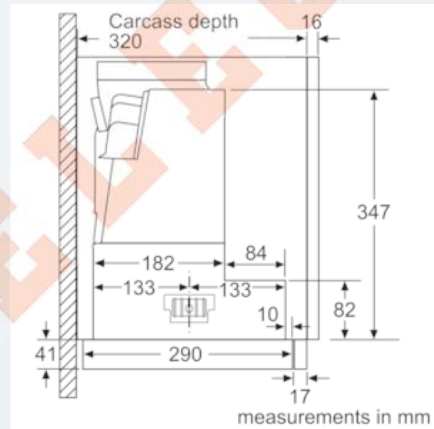
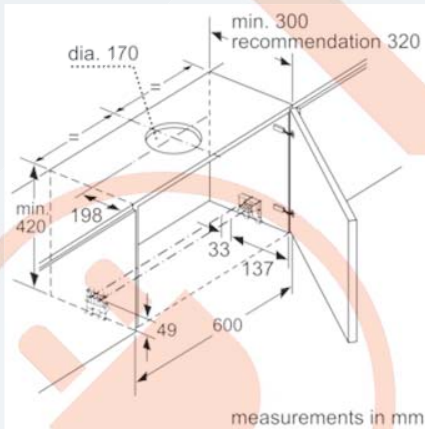
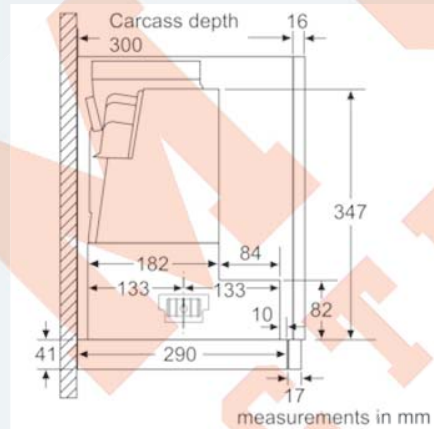
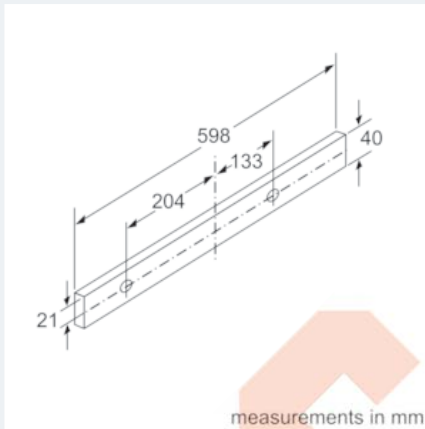
4 242003 880135

## iQ500, telescopic cooker hood, 60 cm, Stainless steel LI67RA561

Features	
<p><b>Variant</b></p> <ul style="list-style-type: none"> <li>• 60 cm wide</li> <li>• 60 cm Telescopic hood, stainless steel</li> <li>• For installation in a special wall cupboard (60 cm)</li> <li>• Suitable for ducted or re-circulated extraction</li> <li>• For recirculated extraction standard recirculation kit or Clean Air Plus recirculation kit (accessory) needed</li> </ul> <p><b>Design</b></p> <p><b>Comfort</b></p> <ul style="list-style-type: none"> <li>• Push button controls with 7-segment display</li> <li>• Electronic controls via Push button controls with 7-segment display</li> <li>• Electronic controls</li> <li>• Push button controls (3 speeds plus 2 intensive) with 7-segment display</li> <li>• Electronic controls</li> <li>• Push button controls</li> <li>• 3 speeds plus 2 intensive</li> <li>• Automatic revert setting, 6 minutes</li> <li>• Automatic 10 minutes after running</li> </ul> <p><b>Features</b></p> <ul style="list-style-type: none"> <li>• 2 x 1,5 W LED</li> <li>• Light dimmer function</li> <li>• softLight</li> <li>• Colour Temperature: 3500 K</li> <li>• Light Intensity: 294 lux</li> <li>• Stainless steel filter covers, dishwasher safe</li> <li>• Metal grease filter, dishwasher safe</li> <li>• Saturation indicator for grease filter and odor filter</li> </ul> <p><b>Performance</b></p> <ul style="list-style-type: none"> <li>• Extraction rate according to EN 61591 <math>\varnothing</math> 15 cm:</li> <li>• max. Normal use 392 m<sup>3</sup>/h</li> <li>• Intensive 717 m<sup>3</sup>/h</li> <li>• Extraction rate exhaust air according to EN 61591:</li> <li>• max. normal use 392 m<sup>3</sup>/h, intensive 717 m<sup>3</sup>/h</li> <li>• Noise level according to EN 60704-2-13 exhaust air:</li> <li>• Max. normal use: 53 dB(A) re 1 pW</li> <li>• Intensive: 68 dB(A) re 1 pW</li> <li>• Extraction rate exhaust air according to EN 61591 max. 717 m<sup>3</sup>/h</li> <li>• Noise level according to EN 60704-2-13 at max. normal use exhaust air: 64 dB(A) re 1 pW dB(A) re 1 pW</li> <li>• Noise min./max. Normal Level: 41/53 dB</li> <li>• With the Clean Air Plus recirculation kit (available as optional accessory) your appliances reaches:</li> <li>• Extraction rate in recirculation mode:</li> <li>• Max. normal use: 358 m<sup>3</sup>/h</li> <li>• Intensive: 628 m<sup>3</sup>/h</li> <li>• Noise level in recirculation mode:</li> <li>• Max. normal use: 60 dB(A) re 1 pW</li> <li>• Intensive: 71 dB(A) re 1 pW</li> <li>• 2 high-performance blower, Efficient BLDC-technology</li> <li>• Efficient BLDC-technology</li> </ul> <p><b>Planning and installation information</b></p> <ul style="list-style-type: none"> <li>• Telescopic comfort installation: easy installation system</li> <li>• Dimensions (HxWxD): 426 x 598 x 290 mm</li> </ul>	<ul style="list-style-type: none"> <li>• Built-in dimensions (HxWxD): 385 x 524 x 290 mm</li> <li>• Diameter pipe <math>\varnothing</math> 150 mm (<math>\varnothing</math> 120 mm enclosed)</li> <li>• Electrical cable length 1.75 m</li> <li>• Drawer without handle, furniture lighting pelmet or profile panel required</li> </ul> <p><b>Consumption Data</b></p> <ul style="list-style-type: none"> <li>• Energy Efficiency Class: A (at a range of energy efficiency classes from A+++ to D)</li> <li>• Average Energy Consumption: 37.9 kWh/year</li> <li>• Blower Efficiency Class: B*</li> <li>• Lighting Efficiency Class: A</li> <li>• Grease Filtering Efficiency Class: B</li> <li>• Power rating: 144 W</li> </ul> <p>* In accordance with the EU-Regulation No 65/2014</p>

**iQ500, telescopic cooker hood, 60 cm,  
Stainless steel  
LI67RA561**

Dimensioned drawings



**iQ500, telescopic cooker hood, 60 cm,  
Stainless steel  
LI67RA561**

Dimensioned drawings

